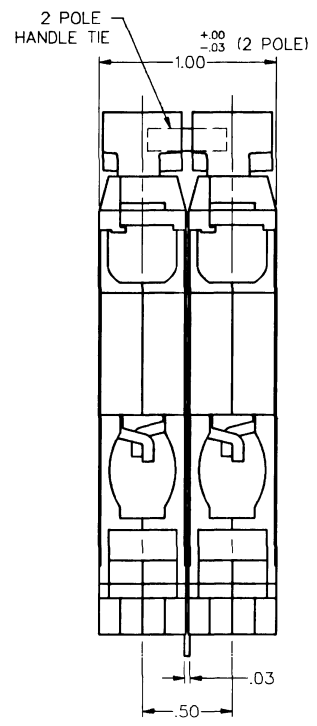
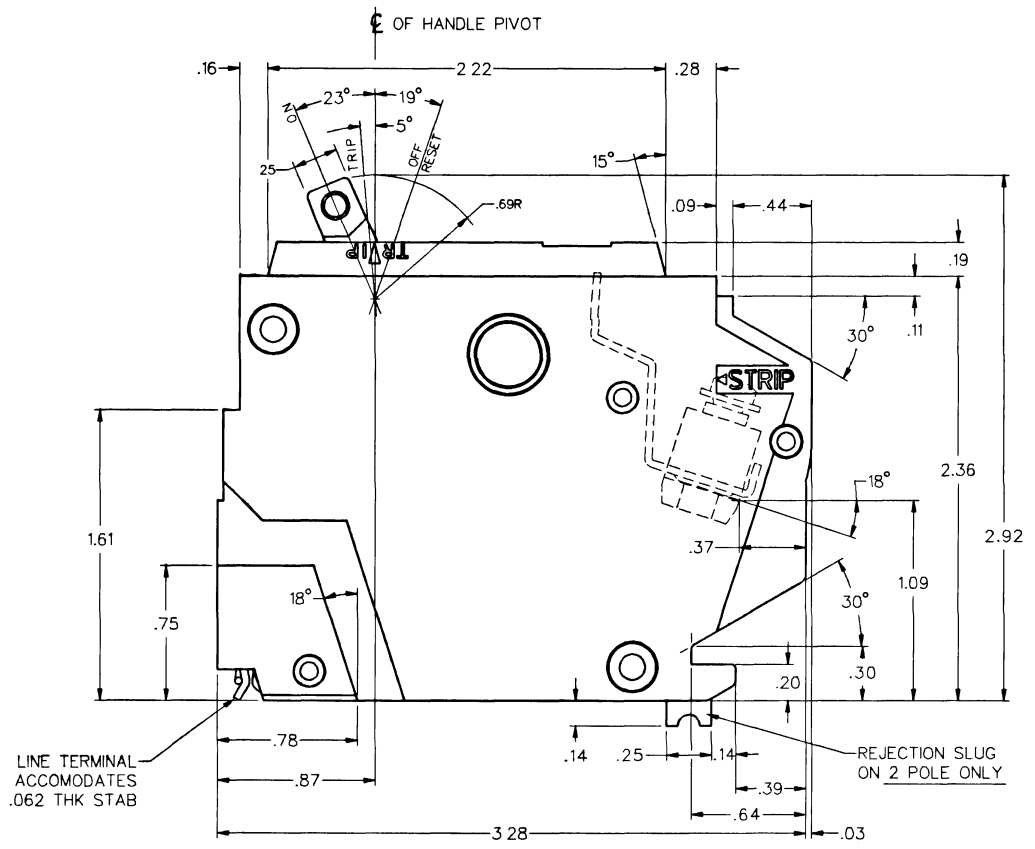
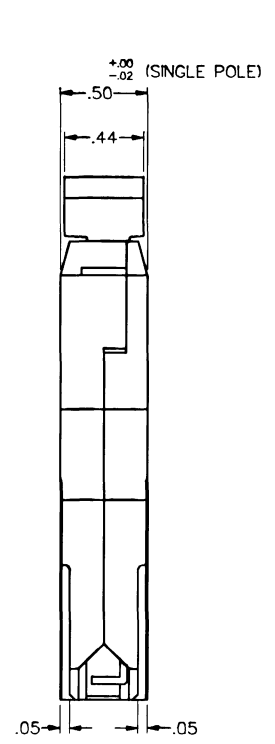
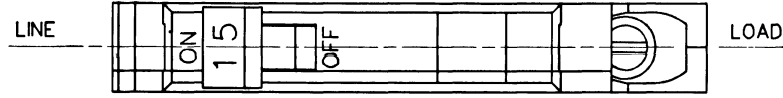


FOR ADDITIONAL INFO REFER TO:	UNLESS SHOWN ON INDIVIDUAL DIMENSIONS TOLERANCES IN THIS BLOCK APPLY	TOLERANCES ON MACHINED DIMENSIONS	
APPLIED PRACTICES	SURFACES	2 PLACE DEC.	3 PLACE DEC.
	✓	±	±

TITLE OUTLINE	
THQP CIRCUIT BREAKER	
FIRST MADE FOR THQP115 (MOD. A)	
HOLES	MAT'L. - THK. -
	FIN. - BEND R. -
PROCESS -	



AMPS	SINGLE POLE	2 POLE	MOD.	LUG WIRE RANGE
15	THQP115	THQP215	A	
20	THQP120	THQP220	A	NO. 14-8 CU.
25	THQP125	THQP225	A	NO. 12-8 AL.
30	THQP130	THQP230	A	

