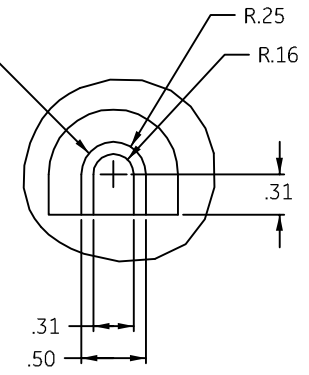
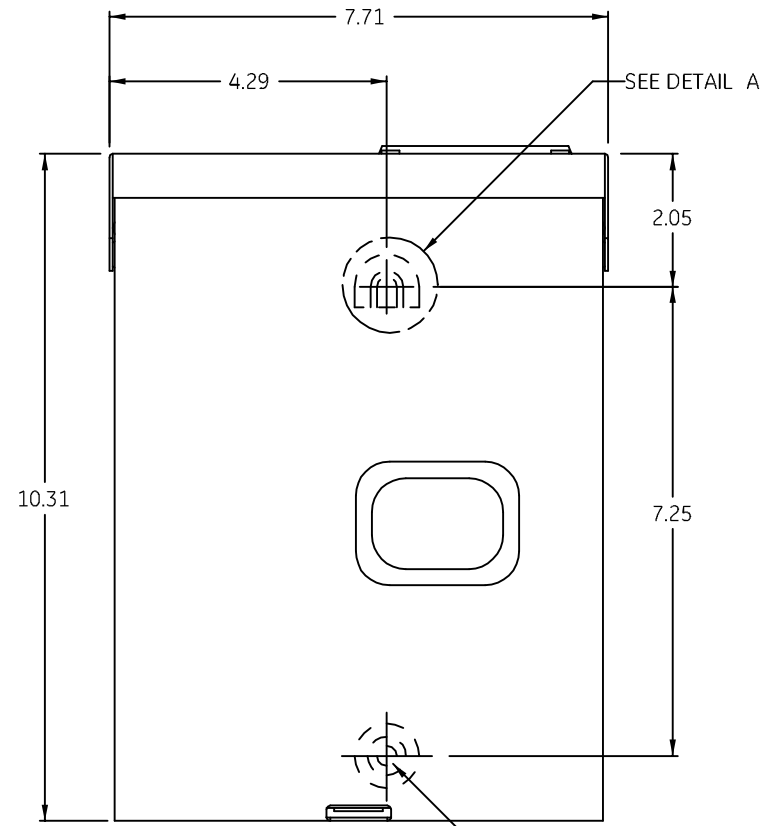
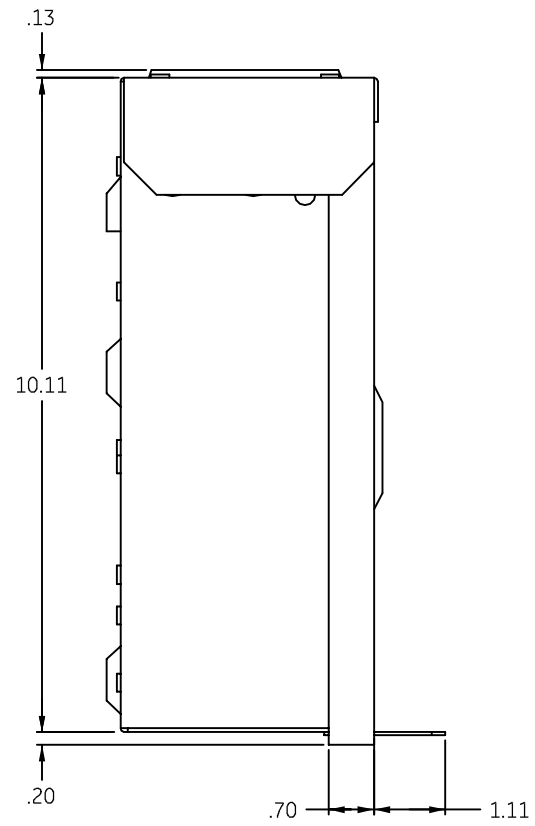


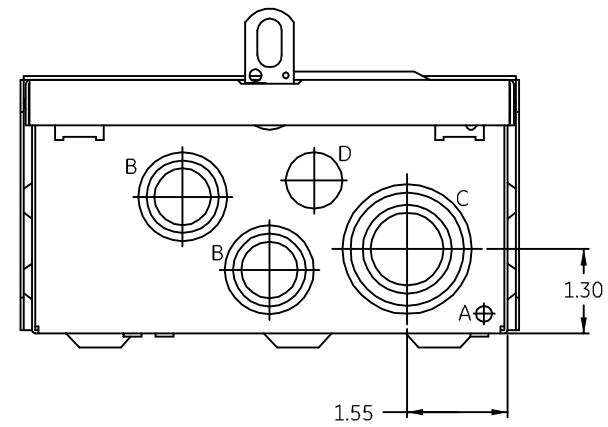
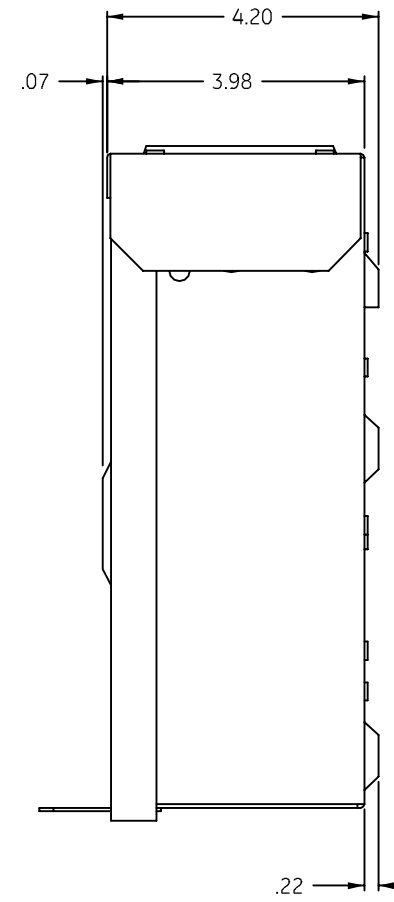
0.16 RADII HOODED SLOTTED  
MTG HOLE IN A DEPRESSION



DETAIL A



0.31 DIA MOUNTING  
HOLE IN A DEPRESSION



SYMBOL	SIZE	QTY
A	1/4 KO	1
B	1/2 x 3/4 x 1 KO	2
C	3/4 x 1 x 1 1/4 x 1 1/2 KO	1
D	1/2 KO	1

Note : All Dimensions have  $\pm 0.125$  Tolerance

CAT NO.	MODEL
TL412RT1	1
TLC410R1	1
TL412R1	1

 imagination at work

OUTLINE DRAWING  
LC 4 CKT 3R

DWG NO.	DATE	REV
10103091SH50	08/20/2009	01