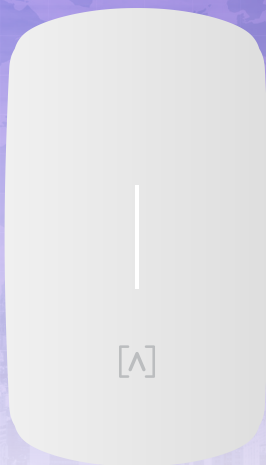




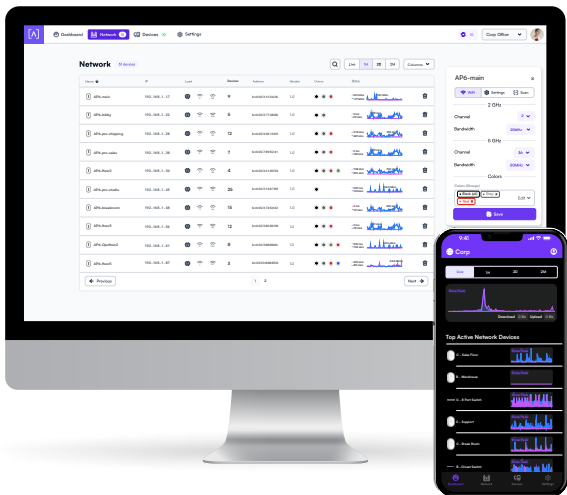
## QUICK START GUIDE



MODEL: AP6W

## Before You Begin

Create your free Alta account to manage your Alta devices. Download the **Alta Networks** mobile app or visit **manage.alta.inc**.



## Package Contents



AP6W



Wall Mount



Junction Box  
Mount



Wall-Mount  
Screws (Qty. 2)



Anchors  
(Qty. 2)



**Note:** Be sure to use the included mounting hardware for installation.



**Note:** This equipment must not be powered by PoE lines that run outside.

## Installation Requirements

- Ethernet cabling (CAT 5e or above)
- 48V PoE+ switch or power adapter
- Router
- Phillips screwdriver
- Drill and drill bit for wall or ceiling mounting

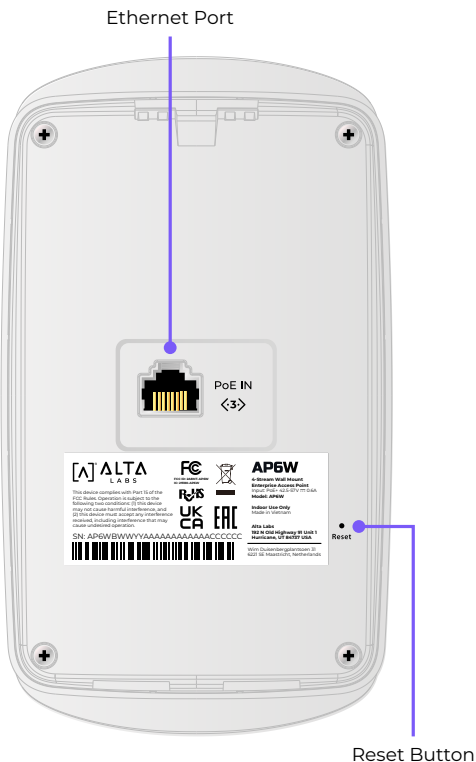
## Hardware Overview

### Front



**LED** Illuminates white by default when AP is online and functional. Can be changed to blue, white, or off in the Alta Networks mobile app or the Alta Control™ management interface. The LED flashes when booting.

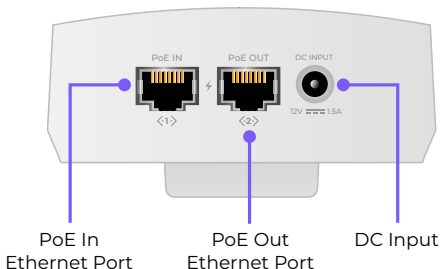
## Back



**PoE In Ethernet Port <3>** This port can be used to connect to a PoE+ Switch or PoE+ injector to provide power and data to the AP. The device can alternatively be powered via PoE In Ethernet Port <1> or using a 12VDC, 1.5A power supply.

**Reset Button** Press down for 10 seconds until the LED begins flashing to reset the AP to factory defaults.

## Bottom



**PoE In Ethernet Port <1>** This port can be used to connect to a PoE+ Switch or PoE+ injector to provide power and data to the AP. The device can alternatively be powered via PoE In Ethernet Port <3> on the back of the device or by connecting a power adapter on the bottom. If this port is not used for power, it can be used simply for data in.

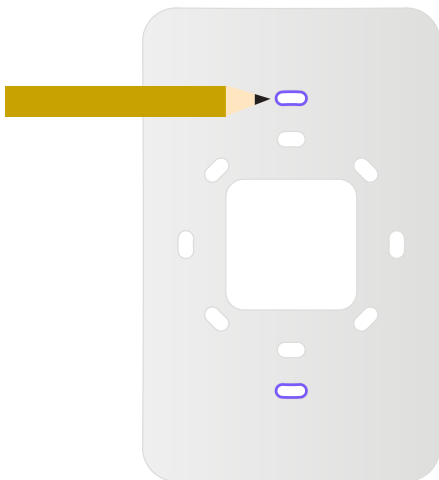
**PoE Out Ethernet Port <2>** Provides data and power out so that you can power another device via Power over Ethernet.

**DC Input** If you prefer to power the AP6W using a power adapter instead of Power over Ethernet, a 12VDC, 1.5A power supply can be used to power the AP.

## Hardware Installation

### Wall Mount

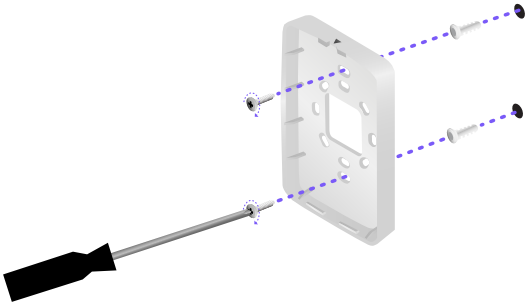
1. Position the Wall Mount in the desired location and use a pencil to mark the holes.



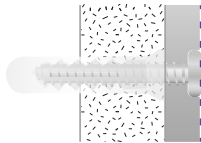
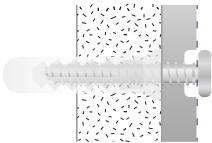
**Note:** If running the Ethernet cabling through the wall to **PoE In Ethernet Port <3>** on the back of the AP, be sure to mark and cut the area on the wall for the cabling to pass through.

2. Secure the Wall Mount to the wall using the Wall-Mount Screws and a Phillips screwdriver. Be sure to use the screws included with the product.

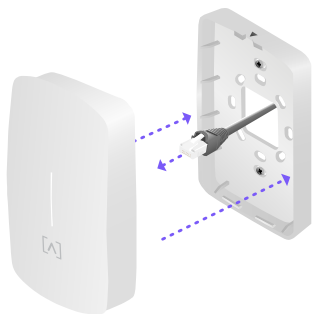
If mounting on drywall, use the anchors to ensure secure mounting. Use a 6.5 mm drill bit to drill the holes for the anchors and insert them in the wall.



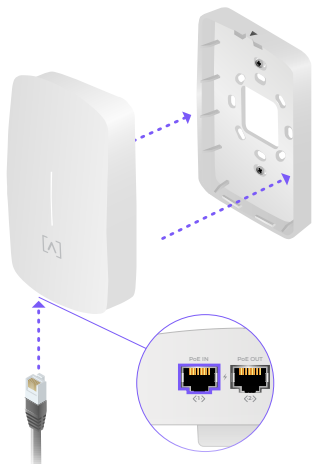
**Note:** Ensure the included Wall-Mount Screws are flush with Wall Mount.



3. Connect an Ethernet cable to the **PoE IN** Ethernet Port on the back or on the bottom of the AP6W.



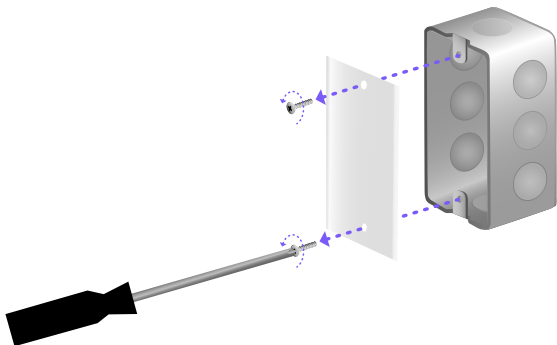
OR



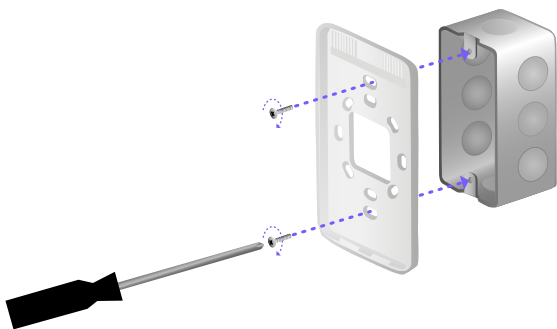
Proceed to “Connecting The AP” on page 10

## Mounting on a Junction Box

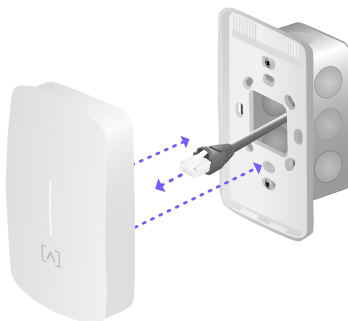
1. Remove the cover from the wall plate of the junction box.



2. Align the Junction Box Mount to the junction box and attach it using the original cover screws.



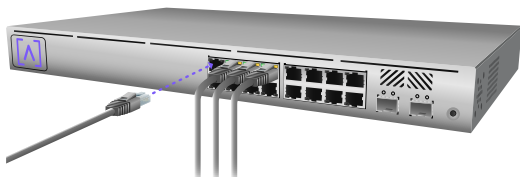
3. Feed the Ethernet cable through the Junction Box Mount, connect the cable to the **PoE In** Ethernet port on the back of the AP6W, and lock the AP6W into place on the Junction Box Mount.



## Connecting The AP

The AP is powered over Ethernet, it can be powered by a PoE+ Switch, a 48V, 0.5A PoE Adapter, or using an optional 12VDC 1.5A power supply.

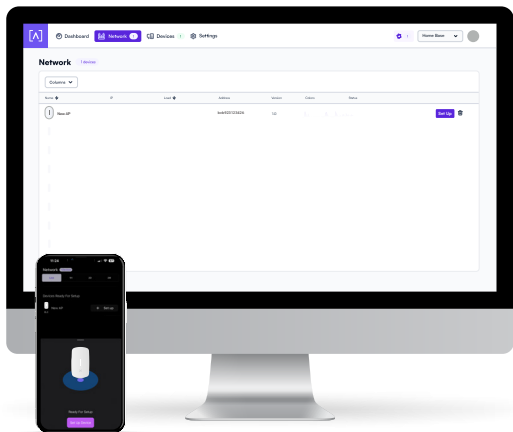
Connect the other end of the Ethernet cable from the AP6W to your PoE+ Switch.



**Note:** This equipment must not be powered by PoE lines that run outside.

## Setting Up Your Device

Follow the instructions in the Alta Networks mobile app or Alta Control™ management interface to set up your AP.



## Disconnecting the AP

If you need to remove the AP from the mount, use a flat blade screwdriver to disengage the Mount at the arrow indicator on top.

## Specifications

Model: <b>AP6W</b>	
Dimensions	156.1 x 90 x 43.9 mm (6.15 x 3.54 x 1.73")
Weight	0.312 kg (0.68 lbs)
Enclosure Material	Top Cover: Polycarbonate, Bottom Cover: Aluminum
Mount Material	Polycarbonate
Network Interface	Ethernet, WiFi, Bluetooth
Management Interface	(3) GbE RJ45 Ports
Button(s)	Reset/Factory Reset
LED	Blue, White
Power Method	PoE+
Power Supply	PoE+ Enabled Network Switch 48V, 0.5A PoE Adapter, 12VDC 1.5A Power Supply (Optional)
Supported Voltage Range	42.5-57V DC
Max. Power Consumption	14.2W
Max. Transmit Power	2.4 GHz: 20 dBm @2NSS 5 GHz: 20 dBm @2NSS
MIMO	2.4 GHz: 2 x 2 5 GHz: 2 x 2
Throughput Rate	2.4 GHz: Up to 574 Mbps 5 GHz: Up to 2.4 Gbps
Mounting	Wall, Junction Box
Operating Temperature	0 to 40° C (32 to 104° F)
Operating Humidity	5 to 90% Noncondensing
Certifications	CE, FCC, IC

# Compliance

## Federal Communication Commission Interference Statement

This product has been tested and found to comply with the limits for a Class B digital device pursuant to Part 15 of the FCC Rules. These limits are designed to provide reasonable protection against harmful interference when the equipment is operated in a commercial environment. This equipment generates, uses, and can radiate radio frequency energy and, if not installed and used in accordance with the instruction manual, may cause harmful interference to radio communications. Operations of this equipment in a residential area is likely to cause harmful interference in which case the user will be required to correct the interference at his own expense.

However, there is no guarantee that interference will not occur in a particular installation. If this equipment does cause harmful interference to radio or television reception, which can be determined by turning the equipment off and on, the user is encouraged to try to correct the interference by one or more of the following measures:

- Reorient or relocate the receiving antenna.
- Increase the separation between the equipment and receiver.
- Connect the equipment into an outlet on a circuit different from that to which the receiver is connected.
- Consult the dealer or an experienced radio/TV technician for help.

### FCC Caution

This device complies with Part 15 of the FCC Rules.

Operation is subject to the following two conditions:

- (1) This device may not cause harmful interference, and
- (2) This device must accept any interference received, including interference that may cause undesired operation.

This device is restricted to indoor use.

### Non-Modification Statement

Changes or modifications not expressly approved by the party responsible for compliance could void the user's authority to operate the equipment.

## **FCC Radiation Statement**

This equipment complies with FCC radiation exposure limits set forth for an uncontrolled environment. This equipment should be installed and operated with minimum distance 20cm between the radiator and your body.

## **CAN ICES-003(B) / NMB-003(B)**

This device contains licence-exempt transmitter(s)/ receiver(s) that comply with Innovation, Science and Economic Development Canada's licence-exempt RSS(s). Operation is subject to the following two conditions:

- (1) This device may not cause interference.
- (2) This device must accept any interference, including interference that may cause undesired operation of the device.

L'émetteur/récepteur exempt de licence contenu dans le présent appareil est conforme aux CNR d'Innovation, Sciences et Développement économique Canada applicables aux appareils radio exempts de licence.

L'exploitation est autorisée aux deux conditions suivantes :

- (1) L'appareil ne doit pas produire de brouillage;
- (2) L'appareil doit accepter tout brouillage radioélectrique subi, même si le brouillage est susceptible d'en compromettre le fonctionnement.

The device for operation in the band 5150-5250 MHz is only for indoor use to reduce the potential for harmful interference to co-channel mobile satellite systems.

Les dispositifs fonctionnant dans la bande 5150-5250 MHz sont réservés uniquement pour une utilisation à l'intérieur afin de réduire les risques de brouillage préjudiciable aux systèmes de satellites mobiles utilisant les mêmes canaux.

## **ISED Radiation Exposure Statement:**

This equipment complies with IC RSS-102 radiation exposure limits set forth for an uncontrolled environment. This equipment should be installed and operated with minimum distance 20cm between the radiator & your body.

Cet équipement est conforme aux limites d'exposition aux rayonnements IC établies pour un environnement non contrôlé. Cet équipement doit être installé et utilisé avec un minimum de 20cm de distance entre la source de rayonnement et votre corps.

The transmitter module may not be co-located with any other transmitter or antenna.

Le module émetteur peut ne pas être coïmplanté avec un autre émetteur ou antenne.

The Country Code Selection feature is disabled for products marketed in the US/Canada.


For product available in the USA/Canada market, only channel 1~11 can be operated. Selection of other channels is not possible.

Pour les produits disponibles aux États-Unis / Canada du marché, seul le canal 1 à 11 peuvent être exploités. Sélection d'autres canaux n'est pas possible.



**ALTA**  
LABS

## **Community Forum**

 [forum.alta.inc](https://forum.alta.inc)

## **Technical Support**

 [help.alta.inc](https://help.alta.inc)

All specifications are subject to change without notice.  
Alta Labs products are sold with a limited warranty:  
[alta.inc/warranty](https://alta.inc/warranty)

© 2025 Alta Networks, LLC. All rights reserved.  
Alta Labs is a trademark of Soundvision Technologies.