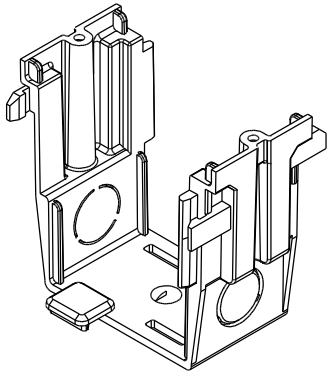


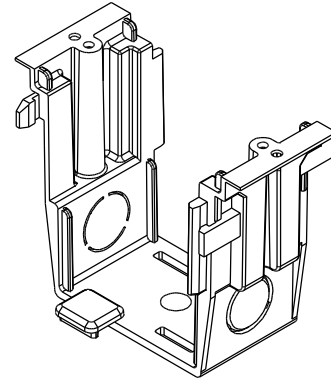
FE1 02C/FER1 02C CENTER SECTIONS FOR GANGABLE BOX

FE1 02C (Adds 17.5 IN³)
 FOR USE WITH FEN1 02 & FES1 02



NM94 Cable
 Connector

FER1 02C (Adds 17.5 IN³)
 FOR USE WITH FER1 02 ONLY

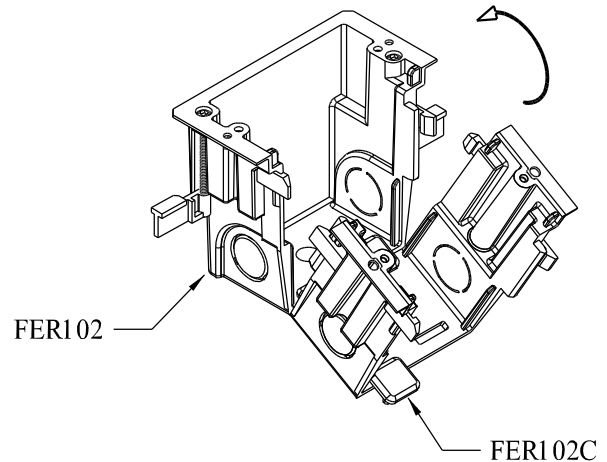
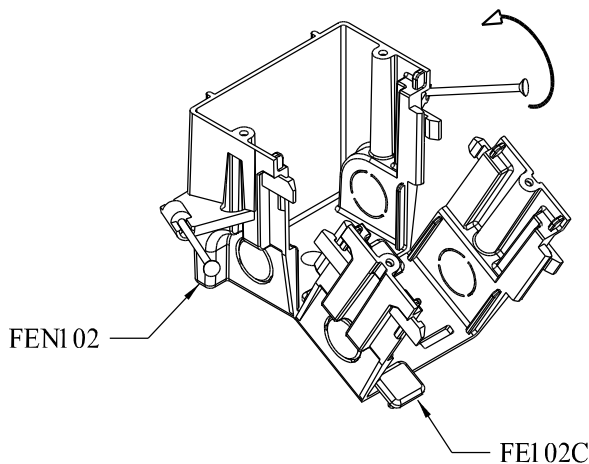


NM94 Cable
 Connector

If you have any questions or if parts are missing Please call our Customer Service Department at 1-800-233-4717.
 Do not call or return this product to your local store or distributor.

Assembly Instructions:

1. Attach FE1 02C to FEN1 02 /FES1 02 or attach FER1 02C to FER1 02 sections together by tilting each piece as shown and by inserting the tabs into the slots in bottom of each piece. Then rotate and snap the sections together along the sides of each piece.
2. Attach additional center sections or FE1 02E/FER1 02 to complete the box assembly.



WARNING: When Installing Box, Make sure power is OFF at main panel box before installing.

NOTE: All Wiring Must be According to NEC, State and Local Codes.

The manufacturer and distributor warrant this product for material and workmanship only, and shall not be liable for any special incident or consequential damages or for damages or loss caused by improper use or installation.