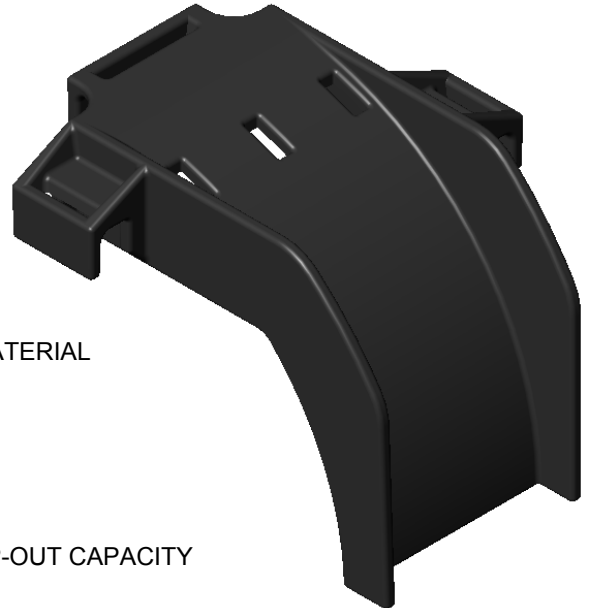


DIMENSIONS IN BRACKETS [] ARE MILLIMETERS



- PART NUMBER: FTA2DO
- MOLDED FROM PLENUM RATED BLACK POLYAMIDE PLASTIC MATERIAL
- 2" [50] RADIUS PROTECTS CABLES FROM SHARP BEND
- NO SHARP EDGES IN CABLE AREA
- FOR USE WITH FLEXTRAY 4" [100] WIDE AND WIDER
- MAY BE USED IN ADJACENT MESH SPACES TO INCREASE DROP-OUT CAPACITY
- SNAP-LOCKS INTO MESH BOTTOM
- WT/PC: 0.033 LB [0.015 KG]

THIS DRAWING AND/OR THE TECHNICAL INFORMATION CONTAINED HEREON IS THE PROPERTY OF EATON CORPORATION ("EATON"), AND IS ISSUED IN CONFIDENCE FOR EATON ENGINEERING PURPOSES ONLY AND MAY NOT BE REPRODUCED OR USED FOR ANY PURPOSE WHATSOEVER WITHOUT THE EXPRESS WRITTEN PERMISSION OF EATON TO THE USER. THIS DRAWING AND/OR TECHNICAL INFORMATION IS THE PROPERTY OF EATON AND IS LOANED FOR MUTUAL ASSISTANCE. TO BE RETURNED WHEN ITS INTENDED PURPOSE HAS BEEN SERVED.



Eaton, B-Line Division
 509 W. Monroe Street
 Highland, IL 62249
 Phone (618) 654-2184
 FAX (618) 654-5499
 www.b-line.com

SUBMITTAL DRAWING

TITLE:

**FLEXTRAY
 CABLE DROP-OUT
 FTA2DO**

REFERENCE DWG(S):

SUBMITTAL NO:

S00015901

DRAWN BY: **MLW** REV: **B**

DATE: **5/10/2017**

MODEL SOURCE FILE: **00015901** REV: **00**

SHEET: **1 OF 1**

UNLESS OTHERWISE SPECIFIED MATERIAL SHOWN HAS BEEN FABRICATED IN ACCORDANCE WITH THIS DRAWING.