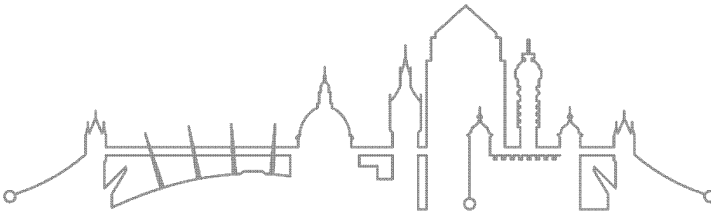




Soundweb™
London

Soundweb™ London BLU-10

Wall Panel Installation Guide



BSS Audio

8760 S. Sandy Parkway
Sandy, Utah 84070, USA
<http://www.bssaudio.com>
801-566-8800



DECLARATION OF CONFORMITY

Manufacturer's Name: BSS Audio

Manufacturer's Address: 8760 S. Sandy Parkway
Sandy, Utah 84070, USA

declares that the product:

Product name: BLU 10
Note: Product name may be suffixed by the letters-EU.
Product option: None

conforms to the following Product Specifications:

Safety: Low Voltage Device

EMC: EN 55103-1 (1996)
EN 55103-2 (1996)

Supplementary Information:

The product herewith complies with the requirements of the Low Voltage Directive 73/23/EEC and the EMC Directive 89/336/EEC as amended by Directive 93/68/EEC.

Vice-President of Engineering – Pro
8760 S. Sandy Parkway
Sandy, Utah 84070, USA
Date: October 24, 2005

European Contact: Your local BSS Audio Sales and Service Office or

Harman Music Group
8760 South Sandy Parkway
Sandy, Utah 84070, USA
Ph: (801) 566-8800
Fax: (801) 566-7005

Introduction

We have written this guide with the aim of helping installers and sound engineers alike to get the most out of the BLU-10. We recommend that you read this manual, before attempting to operate the unit. We welcome any comments or questions regarding the BLU-10 or other BSS products, and you may contact us at the address or world wide web sites given overleaf.

Regulatory Information

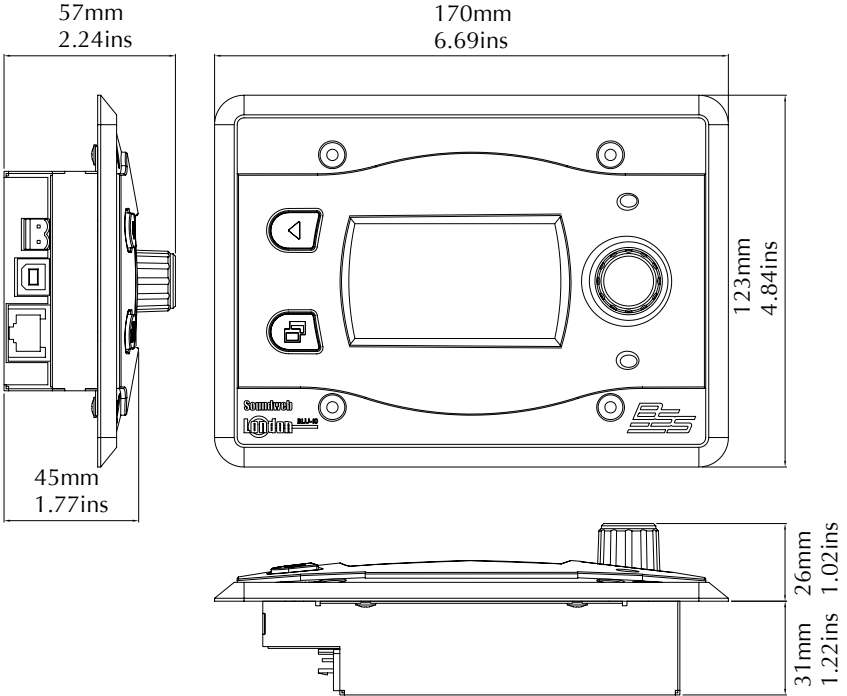
An example of this equipment has been tested and found to comply with the following European and International Standards for Electromagnetic Compatibility (only when used with a metal wall-box):

FCC part 15 Class A
EN55103-1: 1996 (E2)
EN55103-2: 1996 (E2)

Mechanical Installation

The BLU-10 is designed to fit into a standard 3-gang US wall box. Screws are provided to fix the unit in place.

Dimensions of the unit are shown below. The use of a metal wall box is recommended to ensure that the installation meets necessary EMC standards.



Power

The BLU-10 requires 12-48V DC to be supplied externally. There are two ways to do this:

Connect a suitable supply to the 12-48V DC connector, see diagram below,

or

the unit may be power via the Ethernet connector using IEEE802.3af Power Over Ethernet (POE).

Typical mid-span ethernet powering devices are:

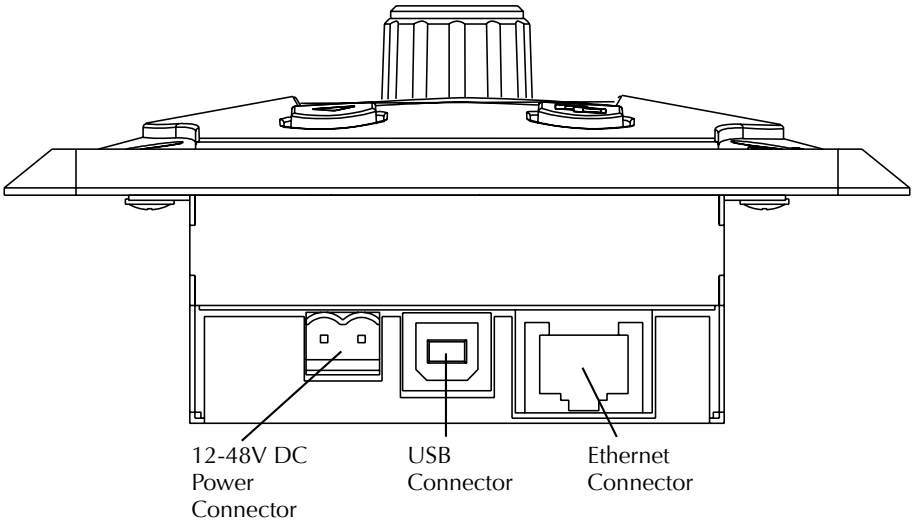
3Com® Power over Ethernet Single-Port Midspan Solution - p/n 3CNJPSE

3Com® Power over Ethernet Multiport Midspan Solution - p/n 3CNJPSE24

Ethernet switches with power over ethernet ports include:

3Com® SuperStack® 3 Switch 4400 PWR - p/n 3C17205

HP ProCurve Switch 2626-PWR - p/n J8164A#ABA



Wiring

The BLU-10 connects into a Soundweb London network via its Ethernet port, either directly into the rear of a rackmount device (e.g., BLU-16) with a Cat 5 crossover cable, or with a standard Cat 5 cable into an Ethernet switch.

Technical Specifications

Maximum network cable length: 300 feet (100 meters)

Power consumption: 300mA max at 12V