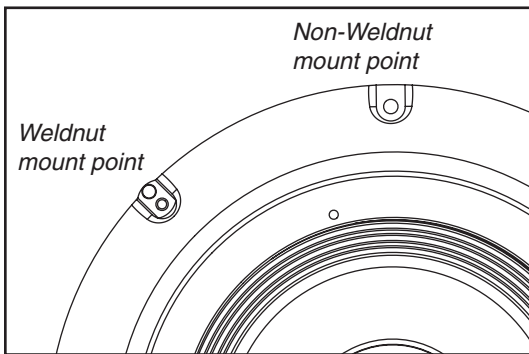




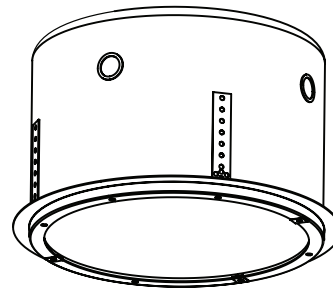
# Control 227C&CT

## Backcan Assembly Instructions

1.) After inserting the Control 227C&CT into the back can, align the mouting holes without weldnuts to the holes with clip nuts on the back can. These are the mounting points that will be used to secure the Control 227C&CT baffle and driver to the backcan.

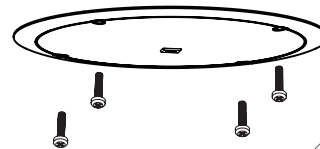
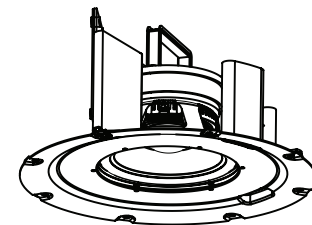


2.) Next, using 4 pcs - #10 x 0.75 in (19mm) sheet metal screw, attach the baffle / driver to the back can. Be sure to match the mounting holes without weldnuts to clipnuts on back can.

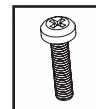


4 pcs - #10 x 0.75 in (19mm) sheet metal screw for attaching the baffle / driver to the back can. Match to clipnuts on back can. (Included with MTC-200BB6.)

3.) Finally, using 4 pcs - M4 x 38mm powder coated machine screws, attach the metal grille to the baffle. Be sure to match the grille mouting holes to the weldnuts on the baffle assembly.



4 pcs - M4 x 38mm powder coated machine screws for attaching the metal grille to the baffle. (Included with JBL Professional grilles.)



### CAUTION:

**WHEN INSTALLING CONTROL 200 SERIES BACK CANS INTO A CEILING OR BUILDING STRUCTURE, ALWAYS USE PROPER SUSPENSION AND RIGGING PRACTICES IN ACCORDANCE WITH YOUR AREA'S BUILDING CODES AND REGULATIONS.**



JBL Professional  
8500 Balboa Boulevard, P.O. Box 2200  
Northridge, California 91329 U.S.A.

■ A Harman International Company