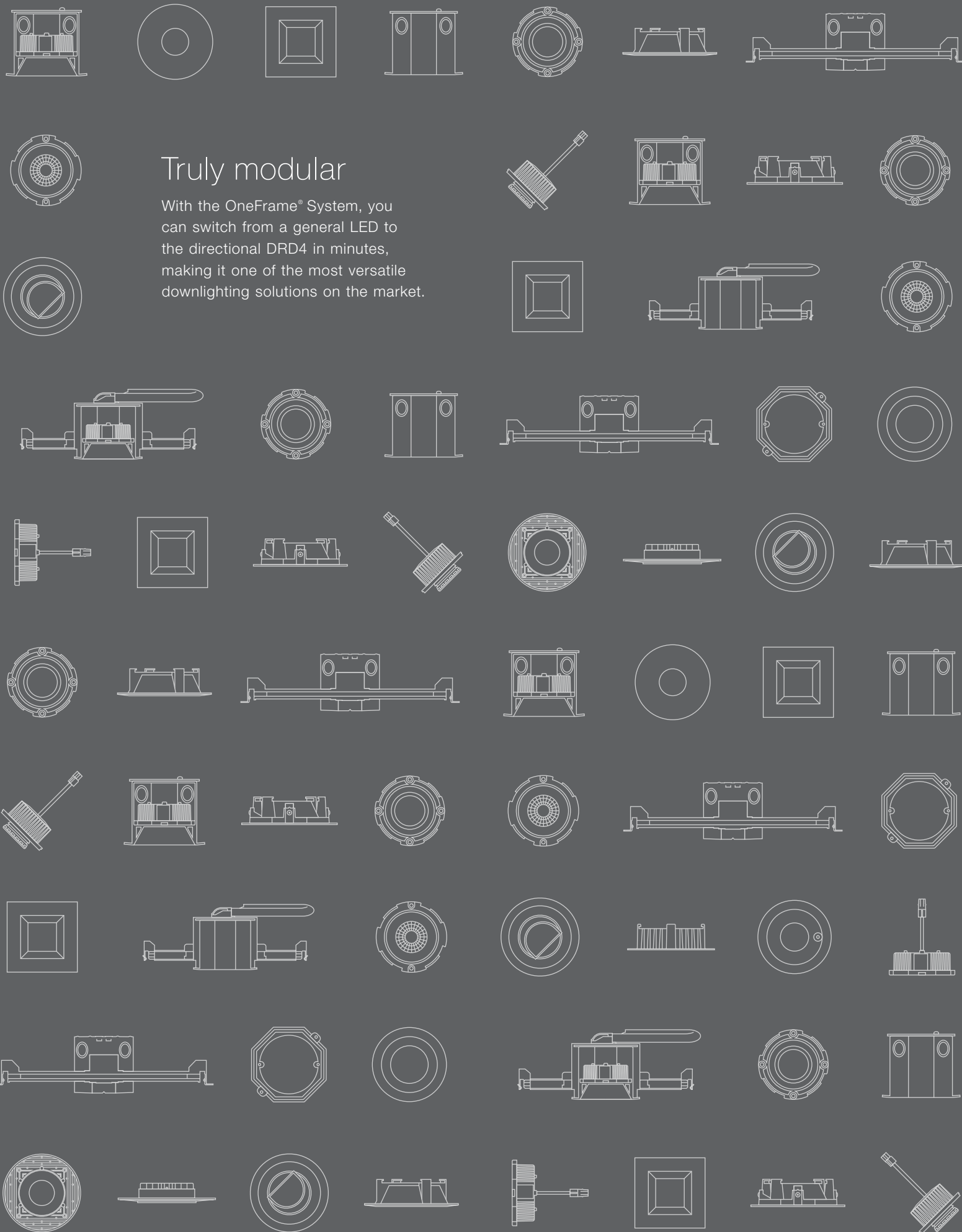


A complete downlighting solution

The OneFrame System



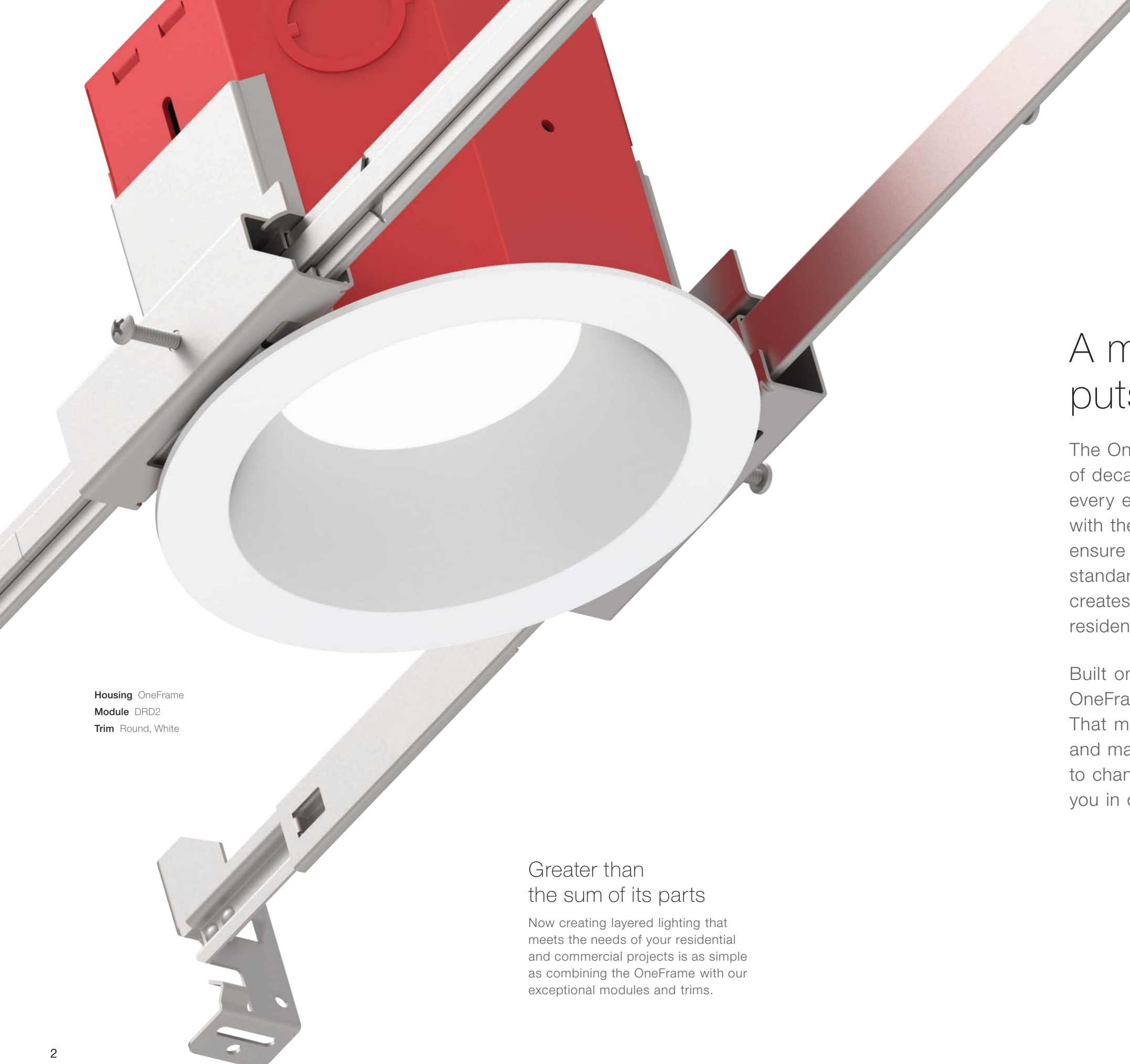


Truly modular

With the OneFrame® System, you can switch from a general LED to the directional DRD4 in minutes, making it one of the most versatile downlighting solutions on the market.

Contents

System Overview	2
Housing	8
OneFrame	10
Specialty Features	14
Modules	16
DRD2	18
DRD2X	22
DRD4	26
Module Comparison Chart	31
Trims	34
Quality and Craft	37
Value and Versatility	38
Decorative	40
Flangeless	41
Specifications	42
Dimensions	44
Photometrics	52
Dimming & Controls	56
Product Builder	58
About DMF	71



Housing OneFrame
Module DRD2
Trim Round, White

Greater than the sum of its parts

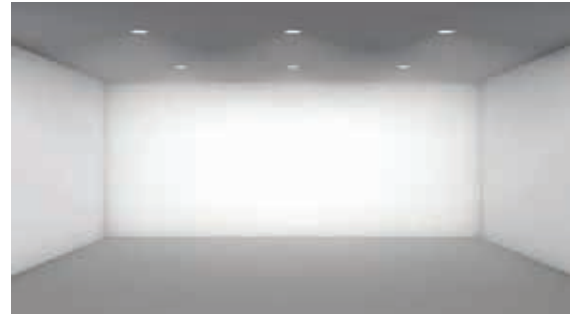
Now creating layered lighting that meets the needs of your residential and commercial projects is as simple as combining the OneFrame with our exceptional modules and trims.

A modular system that puts you in control

The OneFrame® System represents the culmination of decades of engineering experience. We've made every element of this system to work seamlessly with the others. Each part is rigorously tested to ensure it's built to last and performs up to our high standards. Most importantly, the OneFrame System creates a better experience for specifiers, building residents, and everyone in between.

Built on the foundation of our award-winning OneFrame housing, the system is truly modular. That means that it's simpler to specify, install, and maintain. What's more, it allows you to adapt to changing needs without renovations, putting you in complete control of your light.

Game-changing versatility



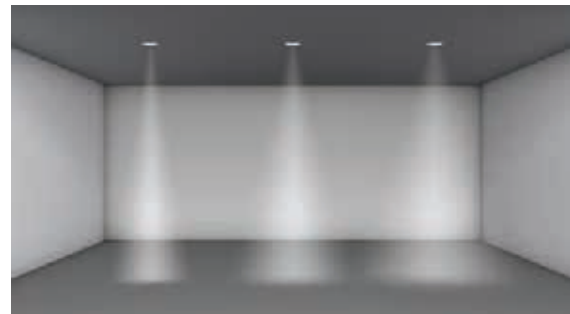
GENERAL DOWNLIGHTING

Use the DRD2 to evenly illuminate the entire room with beautiful efficient light.



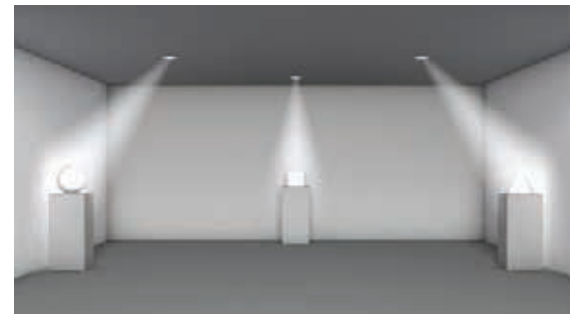
WALL WASH

Use the DRD2 with a wall wash trim to evenly illuminate a wall surface.



SPOT, NARROW FLOOD & FLOOD

Use the DRD2X to create more powerful and dramatic beam strengths with more focused optics.



ACCENT LIGHTING

Use the adjustable DRD4 for accent or task lighting and the flexibility for angled walls, distance aiming, and more.

One housing, multiple lighting options

The OneFrame System allows you to create diverse types of lighting using a small set of elements. By swapping out our modular components, you can radically alter your light without replacing the junction box, drastically reducing costs and labor. That means the people who inhabit your space get exactly the right light, even if their needs change.



UDR: Pacific City, Huntington Beach, California



The Irvine Company: Eastwood Village, Irvine, California

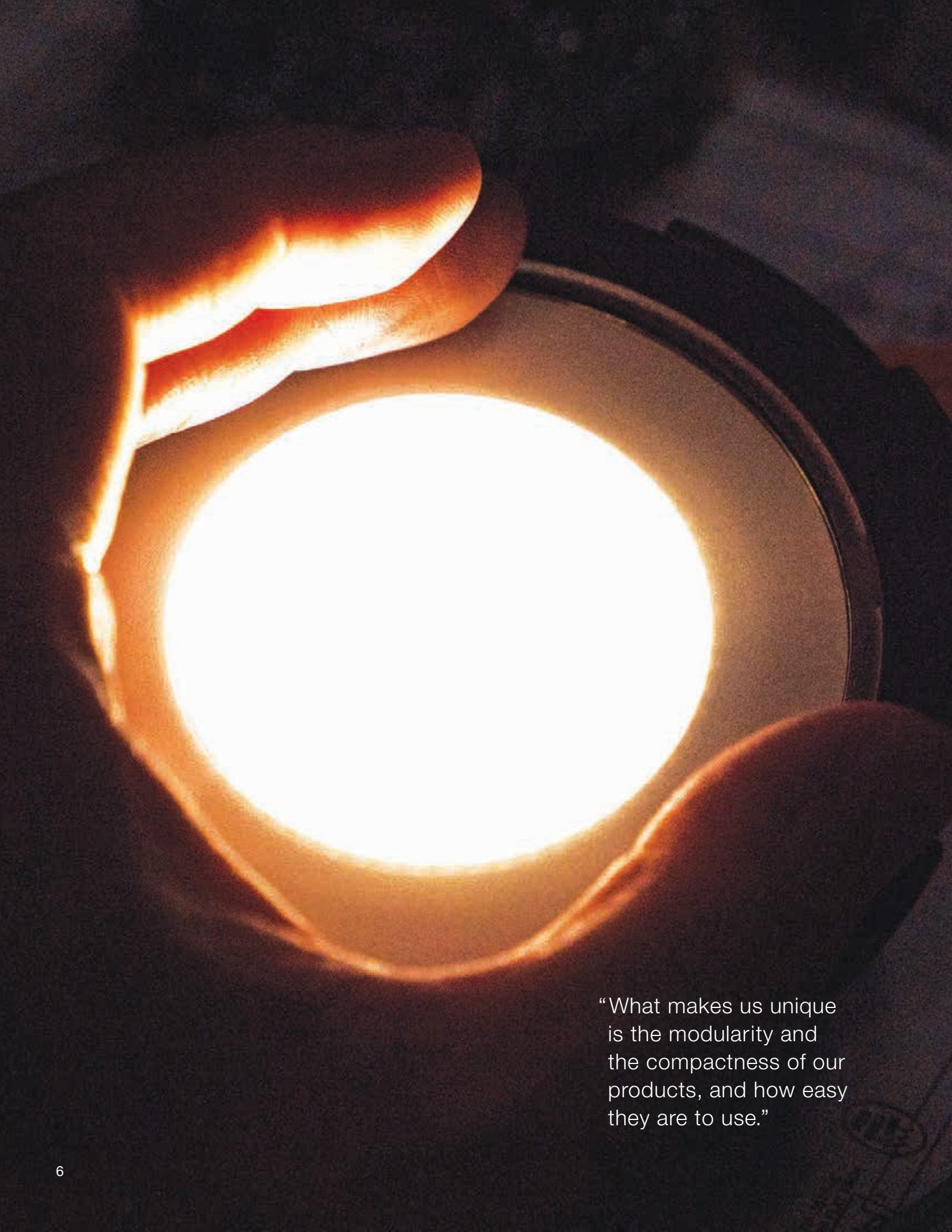


CIRCA Towers: Los Angeles, California



Created with multifamily in mind

The OneFrame System's impressive array of capabilities is no accident. It was originally developed for multifamily construction where adaptability, simplicity, and compliance are key. Now every product we make benefits from the lessons learned from this challenging environment.

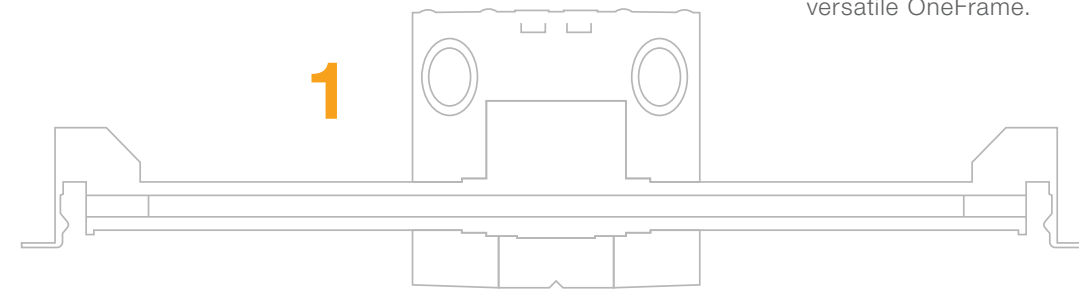


“What makes us unique is the modularity and the compactness of our products, and how easy they are to use.”

DMF makes layered light as easy as:

Housing

Start with the compact and versatile OneFrame.

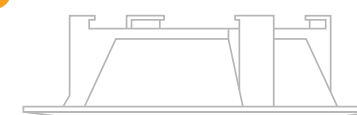


Module

Choose from three distinct modules including a general downlight, controlled beam, or adjustable options.



3



Trim

Finish your fixture with a wide range of customizable trims that complement your project's aesthetic.





The housing, reinvented

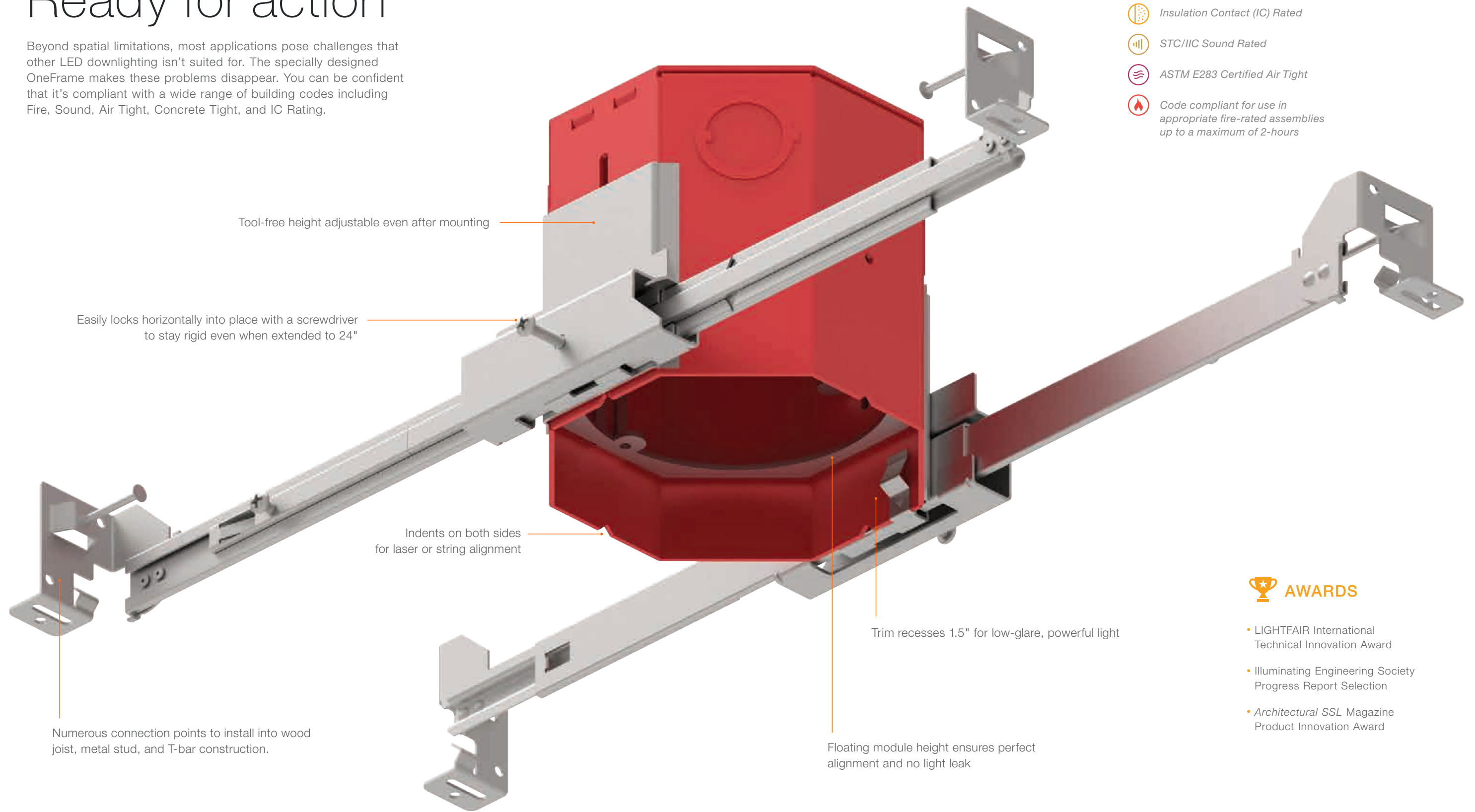
We've redesigned the traditional housing from the bottom up. From its amazingly small footprint to its host of ratings, the award-winning OneFrame is ready for the most demanding downlighting projects.

Impressively easy to specify and install, it makes switching from a downlight to a directional LED as easy as screwing in a light bulb. These design innovations, along with many others, help save you time and money at installation and over the life of the product. Simply put, the OneFrame is unlike anything else on the market.

Ready for action

Beyond spatial limitations, most applications pose challenges that other LED downlighting isn't suited for. The specially designed OneFrame makes these problems disappear. You can be confident that it's compliant with a wide range of building codes including Fire, Sound, Air Tight, Concrete Tight, and IC Rating.

-  *Insulation Contact (IC) Rated*
-  *STC/IIC Sound Rated*
-  *ASTM E283 Certified Air Tight*
-  *Code compliant for use in appropriate fire-rated assemblies up to a maximum of 2-hours*



Tool-free height adjustable even after mounting

Easily locks horizontally into place with a screwdriver to stay rigid even when extended to 24"

Indents on both sides for laser or string alignment

Trim recesses 1.5" for low-glare, powerful light

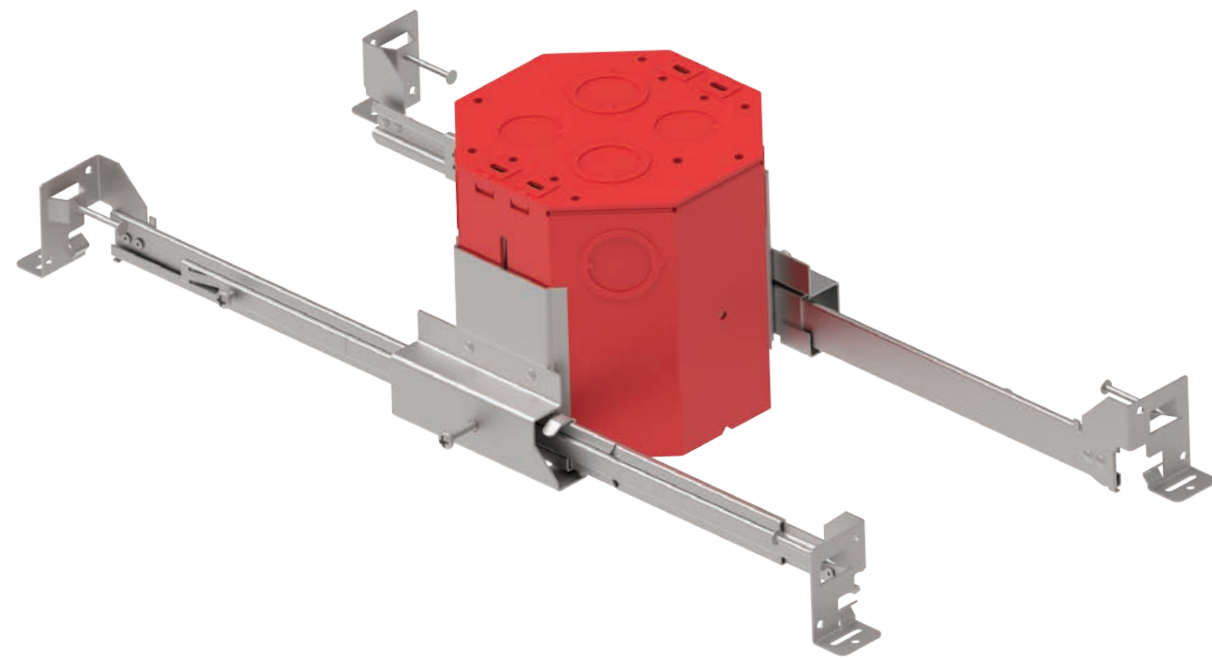
Floating module height ensures perfect alignment and no light leak

Numerous connection points to install into wood joist, metal stud, and T-bar construction.

AWARDS

- LIGHTFAIR International Technical Innovation Award
- Illuminating Engineering Society Progress Report Selection
- *Architectural SSL Magazine* Product Innovation Award

Designed for a lifetime of savings



Specification

- Modular system simplifies specification and reduces waste at the jobsite
- OneFrame supports general downlight, spotlight, or directional light modules
- Meets stringent wet location, fire, and efficiency requirements

Installation

- Elements designed to work together for fast, simple installation
- Twist & Lock features makes installation almost as easy as screwing in a light bulb
- Floating module height ensures perfect alignment with the ceiling

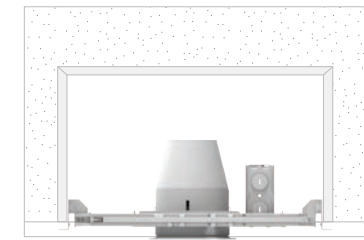
Maintenance

- Integrated drivers mean you can service the light without above-ceiling access
- Easy-to-swap elements let you adapt your design without added expense
- Modularity ensures there are fewer SKUs to manage

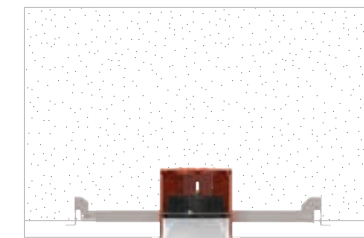
Say goodbye to fire-rated boxing

Thanks to the frame's design, there's no need to construct a fire rated box that requires specialized labor and extra material costs. The OneFrame is all set as soon as it's installed.

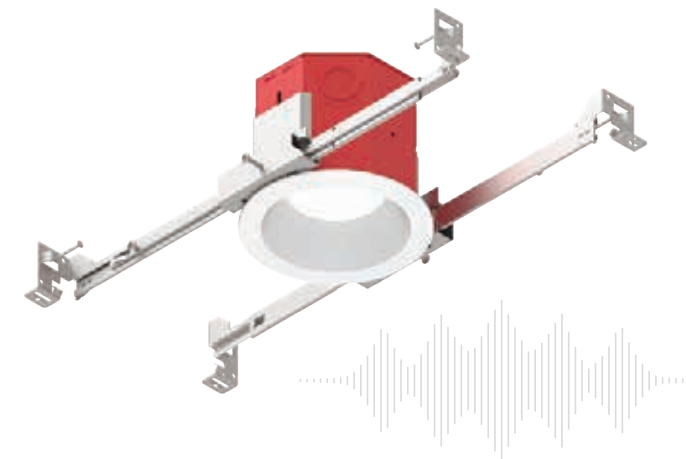
 Code compliant for use in appropriate fire-rated assemblies up to a maximum of 2-hours



Traditional fire-rated boxing



OneFrame's cost-saving design



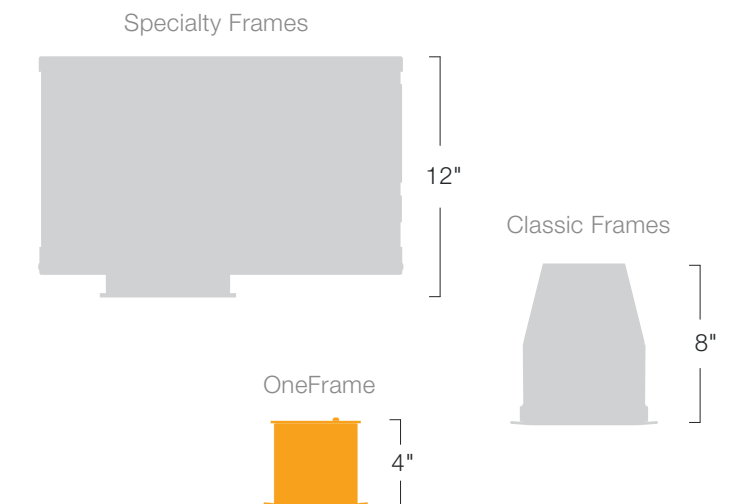
 STC/IIC Sound Rated

Minimize sound transmission

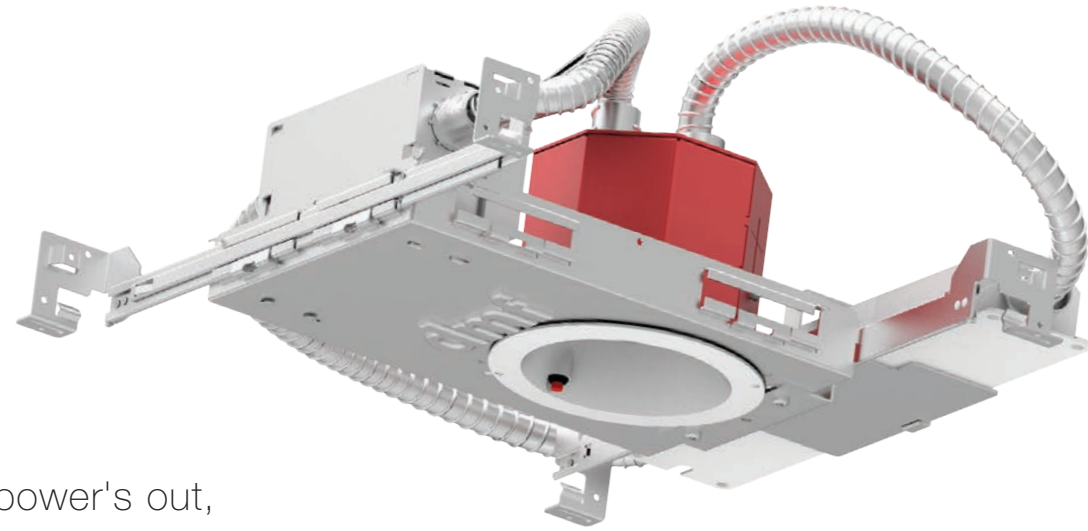
With sound ratings that meet the highest International Building Code standards, the OneFrame can preserve a structure's constructed sound rating to help ensure loud speech and footsteps are inaudible.

The housing that goes where others can't

Thanks to a unique low profile and small aperture design, any OneFrame can install in as little as 4" of plenum space.



Specialty features



When the power's out,
these lights stay on

OneFrame's new Emergency LED Driver option can provide lighting for up to 90 minutes after power failure — enough to meet common safety regulations, like NFPA 101. The Emergency Driver runs off a self-contained battery that charges once power is restored and features a test switch that sits on the trim recess, rather than ceiling plate, to maintain a seamless design.

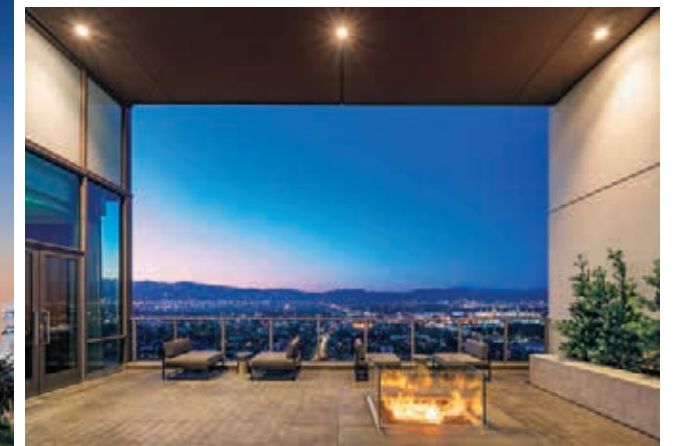


Olson Kundig: 2nd & Pike, Seattle, Washington



Concrete option

Engineered for high-rise structures that require steel and concrete reinforcement, the Concrete Tight OneFrame is the downlight solution for poured concrete applications. It's specially designed to be embedded into concrete while allowing easy servicing of the module and trim afterwards.



UDR: Vision on Wilshire, Los Angeles, California

The heart of the OneFrame System

Designed as part of a complete downlighting system, the DRD2, DRD2X, and DRD4 are completely interchangeable. Integrated drivers and components make our modules easy to service, so you'll rarely need above-ceiling access. DMF modules are also extraordinarily easy to install, requiring just a pair of screws.

DRD2
General Downlight

DRD2X
Apex Series Downlight

DRD4
Adjustable Downlight




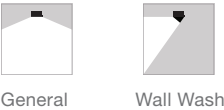


DRD2

General LED Module

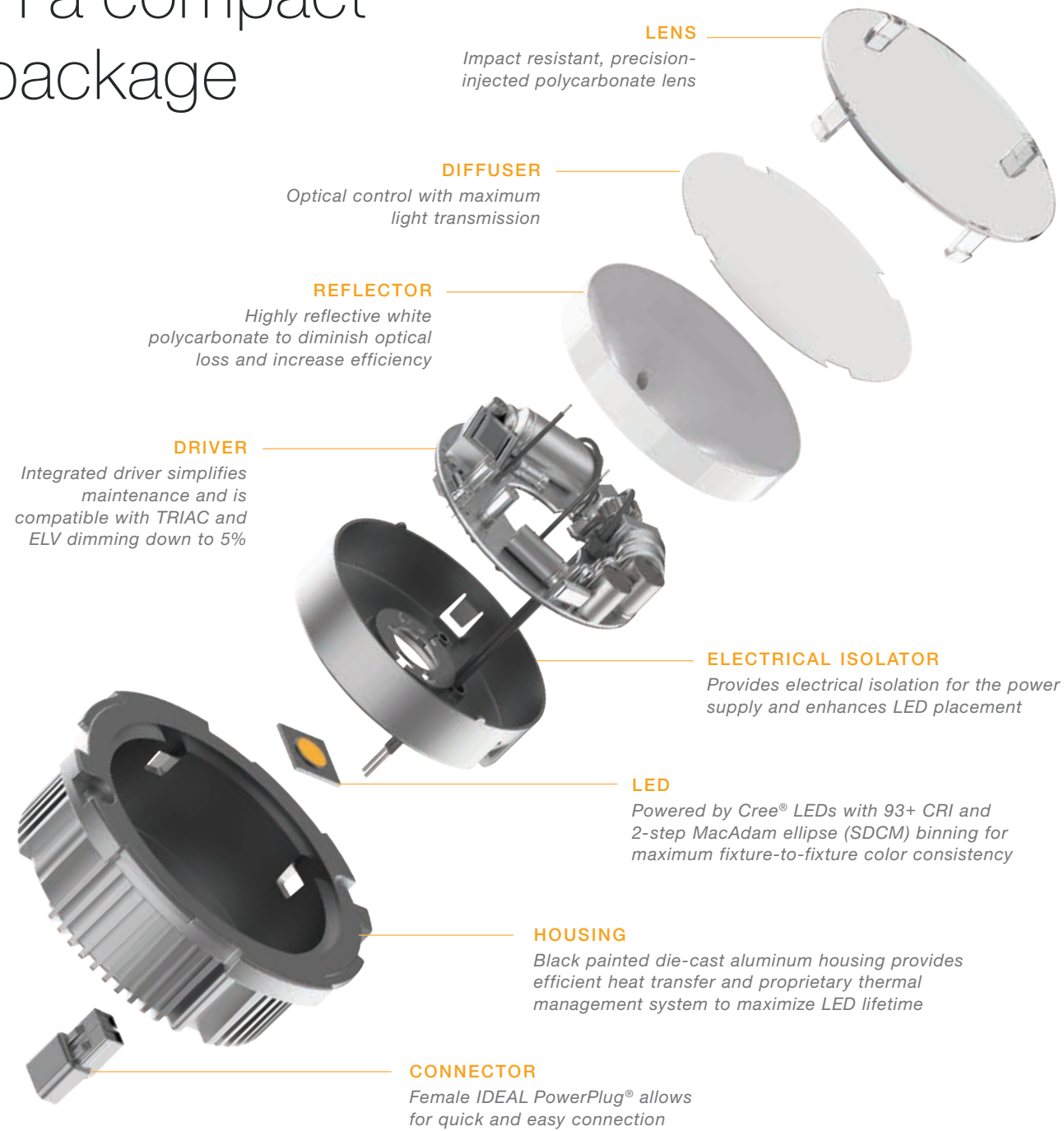


The new benchmark

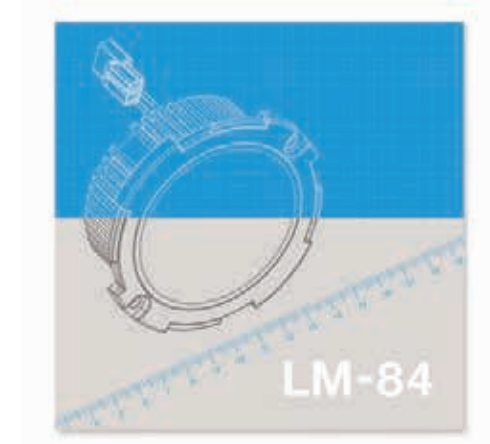
The DRD2 is a compact LED downlight that creates exceptional area lighting at a price point unmatched in the industry. It combines the features of specialty products including a premium light engine with intelligent engineering that makes it amazingly simple to install, maintain, or replace. And it accomplishes all of this while taking up far less space and using much less energy. It's an LED module that's perfectly balanced to give you everything you need, and nothing you don't.

Delivered Lumens 750 lm (10.8W), 1000 lm (12.8W)	Input Voltage 120/277V
Color Quality 93+ CRI, 2-step SDCM	Dimming TRIAC/ELV 5% 0-10V 1% Lutron® Hi-lume® 1%
Color Temperature  2700K 3000K 3500K 4000K	Light Distribution  General Wall Wash
Emergency Lighting Optional Emergency LED Driver for lighting up to 90 minutes in event of power failure	
Standards 	Ratings  Wet location
Guarantee 50,000 hrs 5 years	

Powerful light in a compact package



At the heart of the DRD2 is a powerful, chip-on-board LED delivering up to 1000 lumens of exceptional general lighting. With a compact, go-anywhere design, it's engineered to integrate seamlessly into a wide range of applications.



Industry-leading longevity

Leading the way among lighting providers, DMF has verified that the 50,000 hour reported lifetime for the DRD2's LED chip and power supply are both valid through LM-84 testing.

True color, every time

Every DRD2 module features a 93+ CRI, an R9 value of 79, and a 2-step SDCM LED for vivid true-color representation and critical fixture-to-fixture color consistency.



Stellar efficiency

When it comes to LED energy consumption, DMF technology is second to none. The DRD2 continues this tradition by exceeding CA Title 24 JA8 and ENERGY STAR® requirements.

DRD2X

Apex Series LED Module

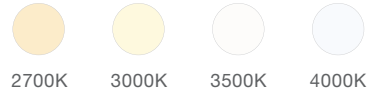



DRD2X
Apex Series LED Module



More power. More control.

An evolution of the DRD2, the DRD2X delivers a precision targeted beam of high-performance, low-glare illumination precisely where you need it. Merging advanced reflective optics with robust LED technologies and an integrated driver, the DRD2X delivers strong center beam candlepower through 20°, 30°, or 40° beam options. It's a compact light that produces high-end, architectural-grade illumination without sacrificing simplicity.

Delivered Lumens 600 lm (10.0W), 750 lm (12.5W)	Input Voltage 120/277V
Center Beam Candlepower 4000cd (Spot 750lm)	Option White, Black surround
Color Quality 90+ CRI, 2-step SDCM	Dimming TRIAC/ELV 5% 0-10V 1% Lutron® Hi-lume® 1%
Color Temperature 	Optics 

Emergency Lighting
 Optional Emergency LED Driver for lighting up to 90 minutes in event of power failure

Standards



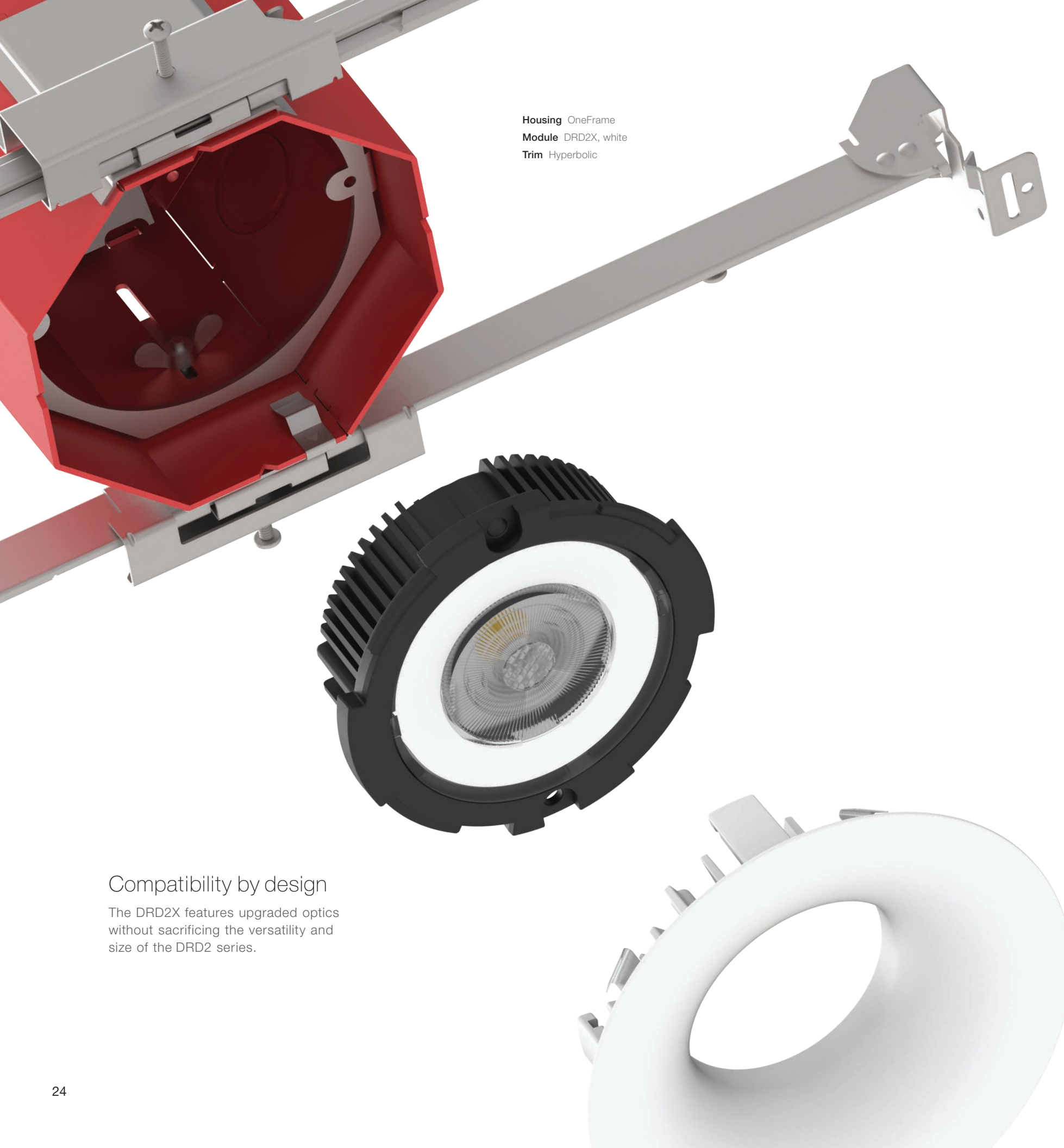
Ratings



Guarantee

50,000 hrs | 5 years

Housing OneFrame
Module DRD2X, white
Trim Hyperbolic

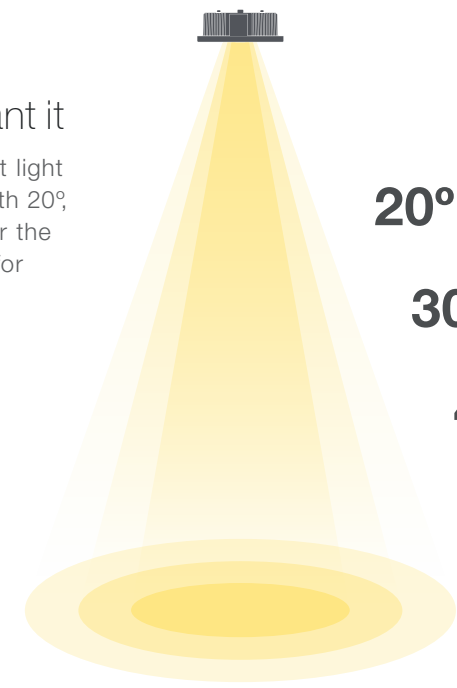


4,000 cd
Center Beam Candlepower



Serious performance
The enhanced DRD2X utilizes specially designed optics to produce high-contrast, architectural-grade illumination with up to 4,000 candelas of focused light.

Light where you want it
Precise, controlled optics put light exactly where you want it with 20°, 30°, and 40° beam angles for the right focused beam pattern for your project.



20° Spot
30° Narrow Flood
40° Flood

Compatibility by design

The DRD2X features upgraded optics without sacrificing the versatility and size of the DRD2 series.

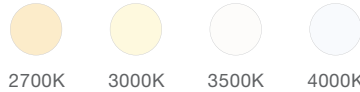




DRD4

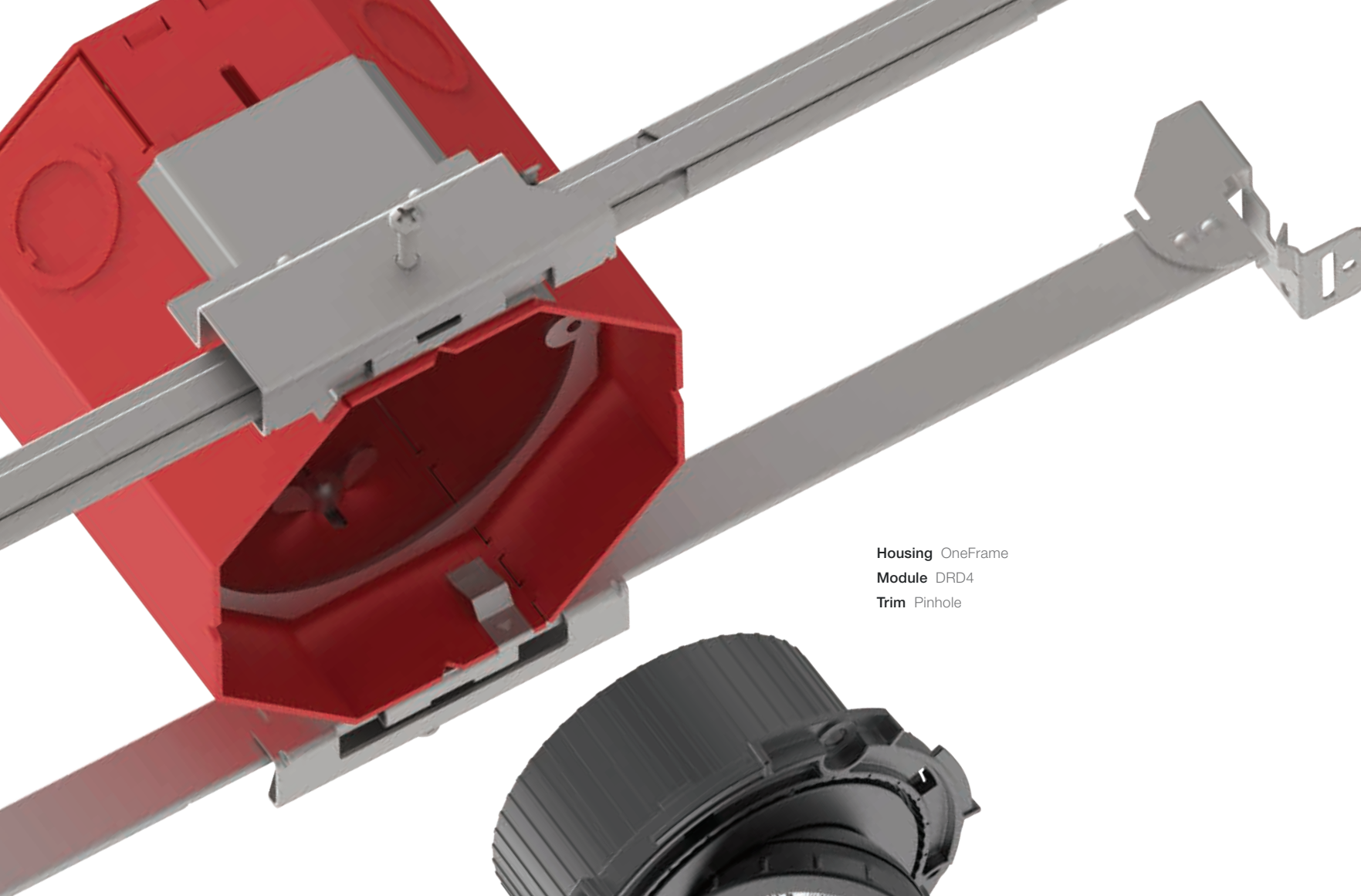
Adjustable LED Module



Ultimate flexibility

The adjustable DRD4 expands the capabilities of the OneFrame System even further. Thanks to an innovative track that tilts inward, rather than a traditional pivot axis, the DRD4 provides up to 45° of tilt without disrupting the ceiling plane. With field-changeable accessories and 20°, 30°, and 40° beam options, the DRD4 delivers tool-free, precision-aimed beams for today's most challenging lighting designs.

Delivered Lumens 650 lm (9.7W), 800 lm (12.0W)	Input Voltage 120/277V	
Adjustment 360° directional aim, 45° tilt	Center Beam Candlepower 6000cd (Spot 800lm)	
Color Quality 90+ CRI, 2-step SDCM	Dimming TRIAC/ELV 5% 0-10V 1% Lutron® Hi-lume® 1%	
Color Temperature  2700K 3000K 3500K 4000K	Optics  Spot (20°) Narrow Flood (30°) Flood (40°)	
Accessories  Hexcell Louver Linear Spread Lens	Emergency Lighting Optional Emergency LED Driver for lighting up to 90 minutes in event of power failure	
Standards 	Ratings  Damp location	Guarantee 50,000 hrs 5 years



Housing OneFrame
Module DRD4
Trim Pinhole



Control at your fingertips

The DRD4 is engineered to be completely adjustable by hand starting with a non-conductive body that allows hot aiming. It also provides tactile feedback so you can feel exactly what changes you're making, and locks into place after you make an adjustment.

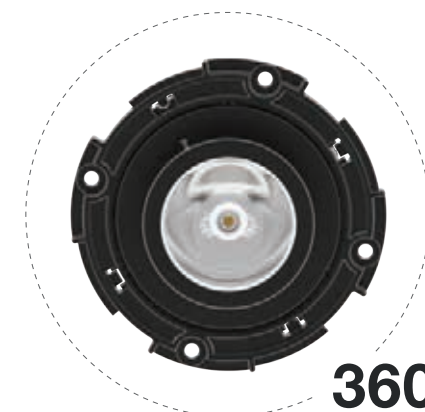


Class-leading tilt

More flexibility for angled walls, distant aiming, and more.

Disappearing act

The DRD4 tilts inward, rather than on a traditional pivot axis, so the light source is recessed further back for reduced beam angle cut off and an uninterrupted ceiling plane.



No dead spots

Full 360° directional aiming.

Need to make a change?

Simply twist off the lens cap and replace the optics. Its tool-free, field-changeable optics and accessories make alterations easy.





“Our engineers understand that light is more than illumination, it’s what makes a space beautiful, useful, and ultimately, livable.”

Module comparison

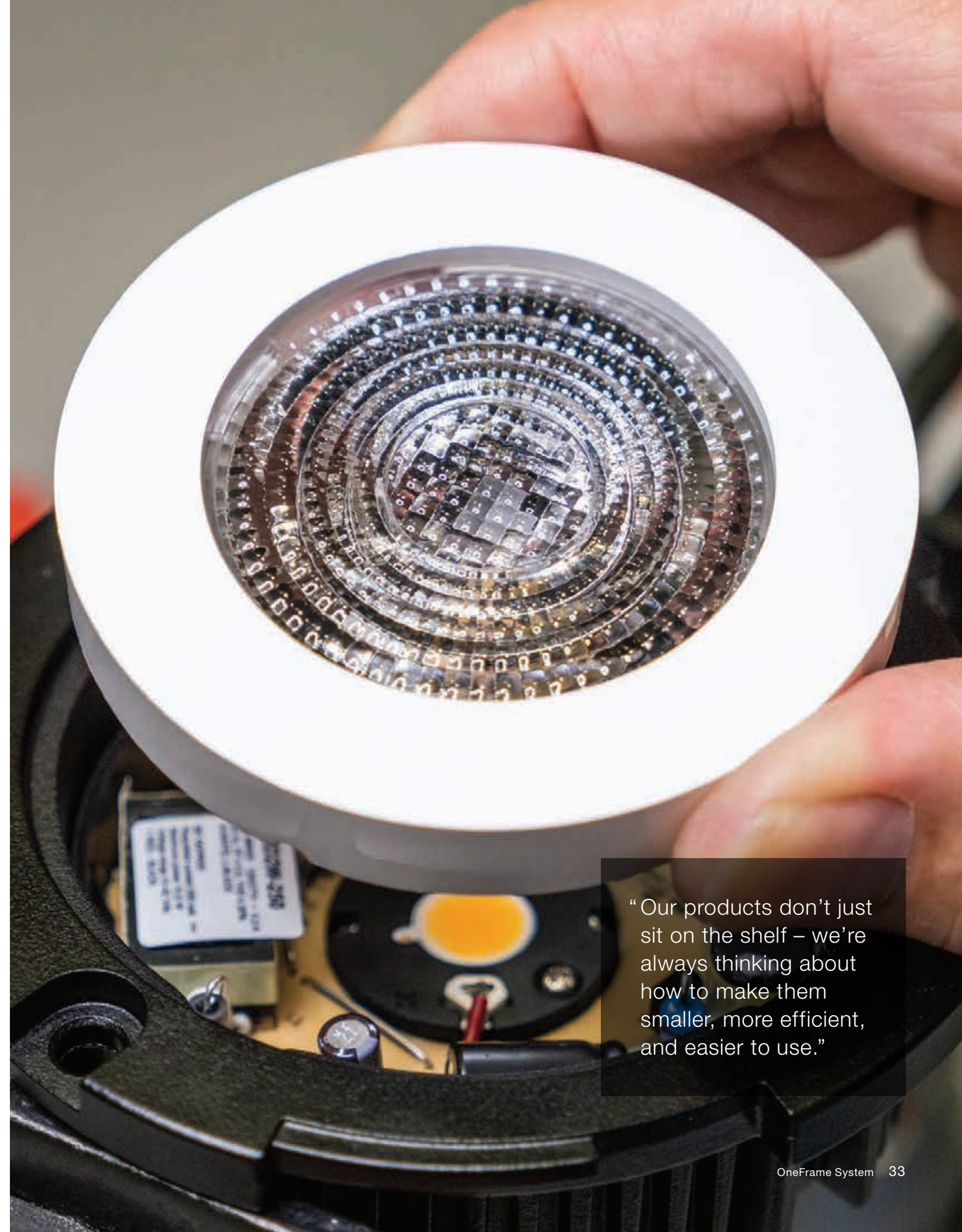
	 DRD2 General	 DRD2X Apex Series	 DRD4 Adjustable
Delivered Lumens	750 lm (10.8W), 1000 lm (12.8W)	600 lm (10.0W), 750 lm (12.5W)	650 lm (9.7W), 800 lm (12.0W)
Efficacy	69 lm/W, 78 lm/W	60 lm/W	67 lm/W
Color Quality	93+ CRI, 2-step SDCM	90+ CRI, 2-step SDCM	90+ CRI, 2-step SDCM
Color Temperatures	2700K, 3000K, 3500K, 4000K	2700K, 3000K, 3500K, 4000K	2700K, 3000K, 3500K, 4000K
Optics	Flood	Spot (20°), Narrow Flood (30°), Flood (40°)	Spot (20°), Narrow Flood (30°), Flood (40°)
Adjustment	–	–	360° directional aim, 45° tilt
Options	–	White, Black surround	Hexcell Louver, Linear Spread Lens
Center Beam Candlepower	–	4000cd (Spot 750 lm)	6000cd (Spot 800 lm)
Input Voltage	120/277V	120/277V	120/277V
Dimming	TRIAC/ELV 5%, 0-10V 1%, Lutron® Hi-lume® 1%	TRIAC/ELV 5%, 0-10V 1%, Lutron® Hi-lume® 1%	TRIAC/ELV 5%, 0-10V 1%, Lutron® Hi-lume® 1%
Emergency Lighting	Optional Emergency LED Driver	Optional Emergency LED Driver	Optional Emergency LED Driver
Listings	JA8 Title 24, Energy Star, Wet location, cULus Listed	JA8 Title 24, Energy Star, Wet location, cULus Listed	JA8 Title 24, Energy Star, Damp location, cULus Listed
Lifetime (L70)	50,000 hrs	50,000 hrs	50,000 hrs
Warranty	5 years	5 years	5 years



UDR: Pacific City, Huntington Beach, California



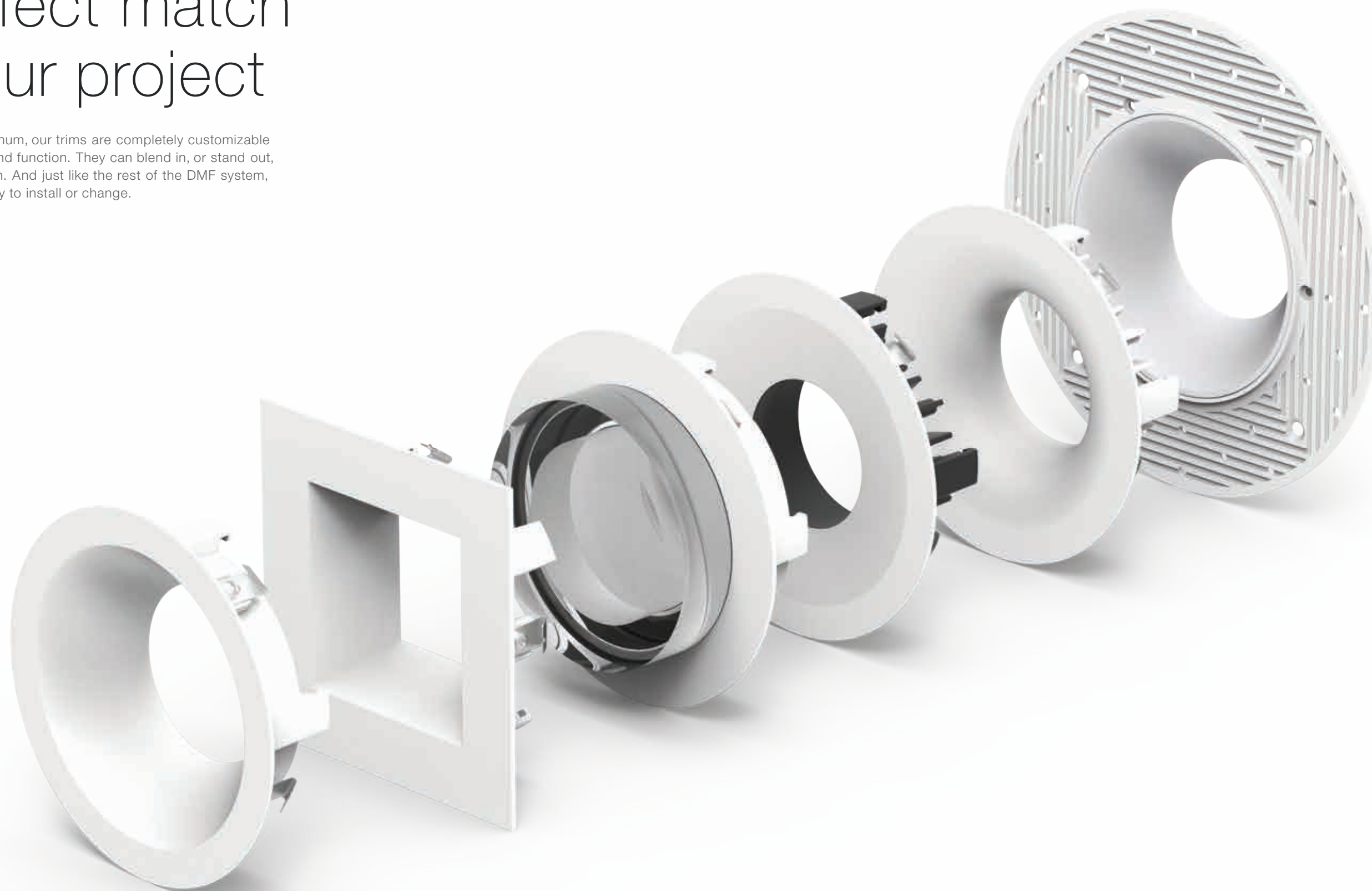
Magleby Estate Homes: Park City Estate, Park City, Utah



“Our products don’t just sit on the shelf – we’re always thinking about how to make them smaller, more efficient, and easier to use.”

A perfect match for your project

Built from die-cast aluminum, our trims are completely customizable by color, finish, shape, and function. They can blend in, or stand out, depending on your vision. And just like the rest of the DMF system, they're exceptionally easy to install or change.



“Our trims are built from high-quality aluminum, which makes them more durable – you can really feel how solid they are. They also fit tighter to the ceiling, so they won’t sag, and they won’t leak light.”



Quality and craft

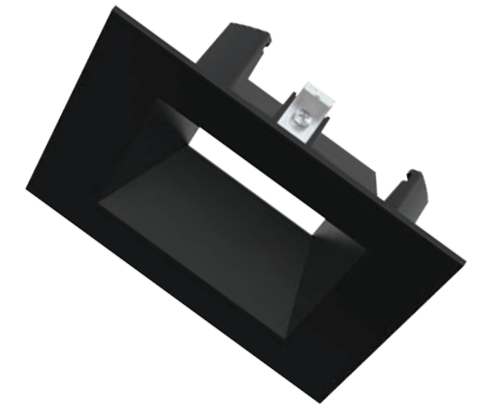


Light that won't leak

All DMF trims are constructed using die-cast aluminum and utilize spring clips to ensure a tight ceiling fit. This creates a seamless contact point between the trim and ceiling and completely prevents light leakage.

See the space, not the fixture

We offer highly customizable options for trim color, finish and shape. Whether you need a fixture that blends in seamlessly, or you want to provide a striking contrast, DMF has the trim for you.



Twist & Lock

Allows for easy, tool-free installation and seamless integration of multiple trim options.

Value and versatility

The OneFrame System is compatible with a wide range of trim options for different aesthetics and diverse lighting options. Choose the trim that matches your design and creates your desired lighting effect.

Pinhole

With a smaller than 2" aperture, the Pinhole Trim helps produce our narrowest beam angles and is ideal for accent lighting.



Round

Simple, contemporary design that complements any aesthetic.



Beveled Pinhole

Focuses light distribution for a narrow, spotlight effect with the addition of a subtle beveled edge.

Square

A modern look that's expertly die-cast with sharp edges and precise corners.



Hyperbolic

A unique reflector that provides completely smooth, uniform light and blends into ceilings.



Wall Wash

Available in round or square, the wall wash trim is perfect for delivering broad, consistent light on a wall surface with an unobtrusive design that stays above the ceiling plane.



Emergency

Provides emergency functionality with an integrated test switch.



Flangeless

The most demanding applications demand luminaries that disappear into the architecture. For these high-end projects, the Flangeless Trim takes recessed lighting to the next level with a seamless design where only the reflector and module lens are visible.



Closed Clear,
Frosted Inside



Closed Clear,
Frosted Sides



Closed Frosted



Open Frosted

Decorative

If you're interested in adding visual interest to your downlight, DMF offers a number of Decorative Trims. These designer pieces feature a cylinder crafted from premium acrylic that catches the light. The result is a beautiful light source that produces pleasant, ambient illumination.

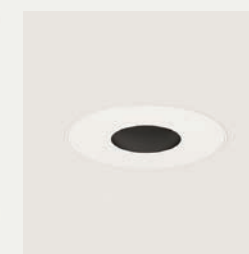
AVAILABLE INSERTS:



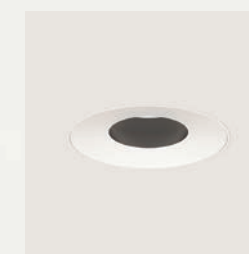
Round



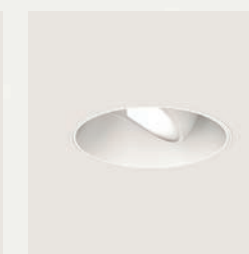
Hyperbolic



Pinhole



Beveled Pinhole



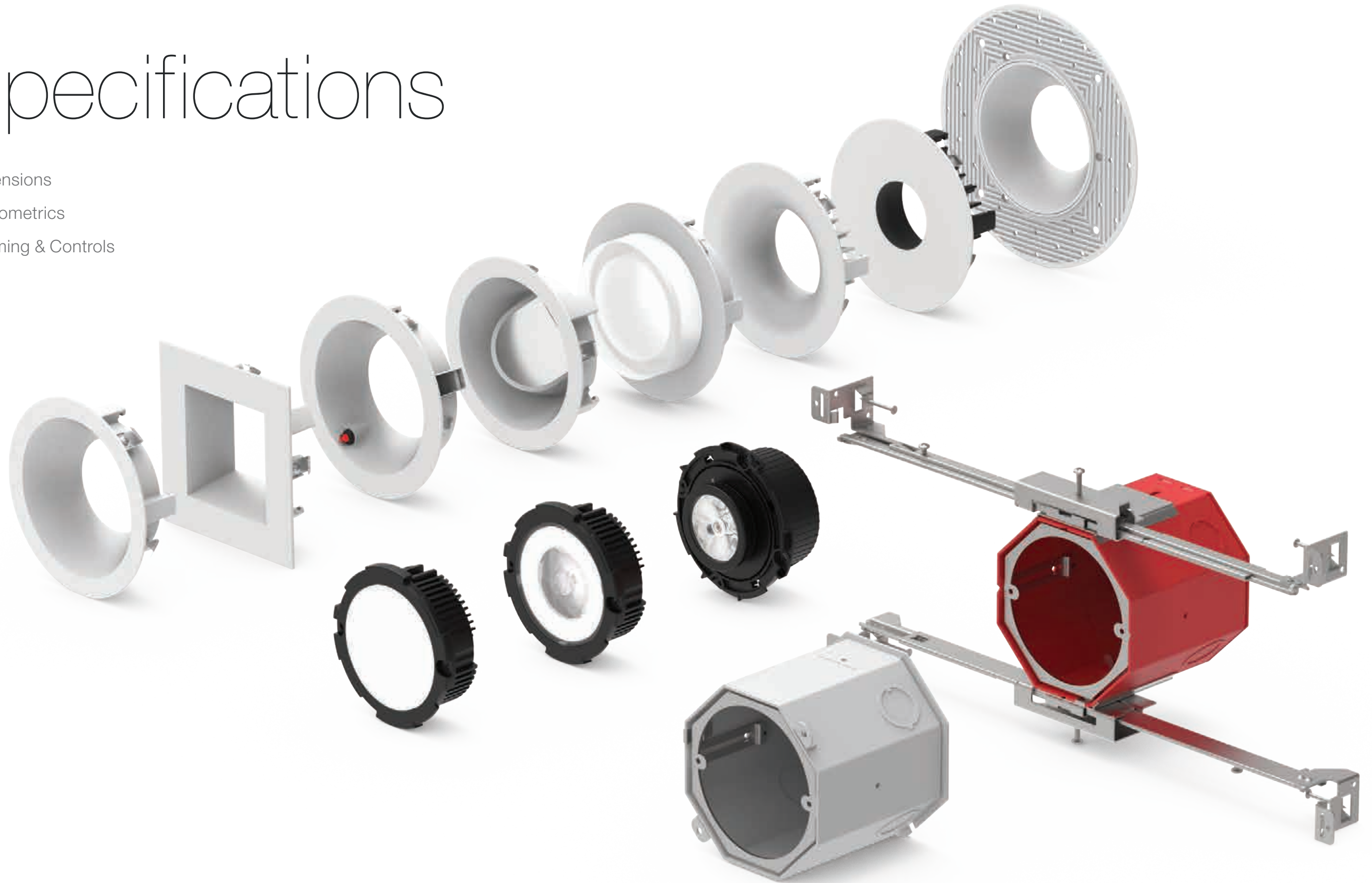
Wall Wash



Utilizing an extra-low-profile mud flange with a removable mud cover, the Flangeless Trim installs easily and cleanly for a completely seamless ceiling finish.

Specifications

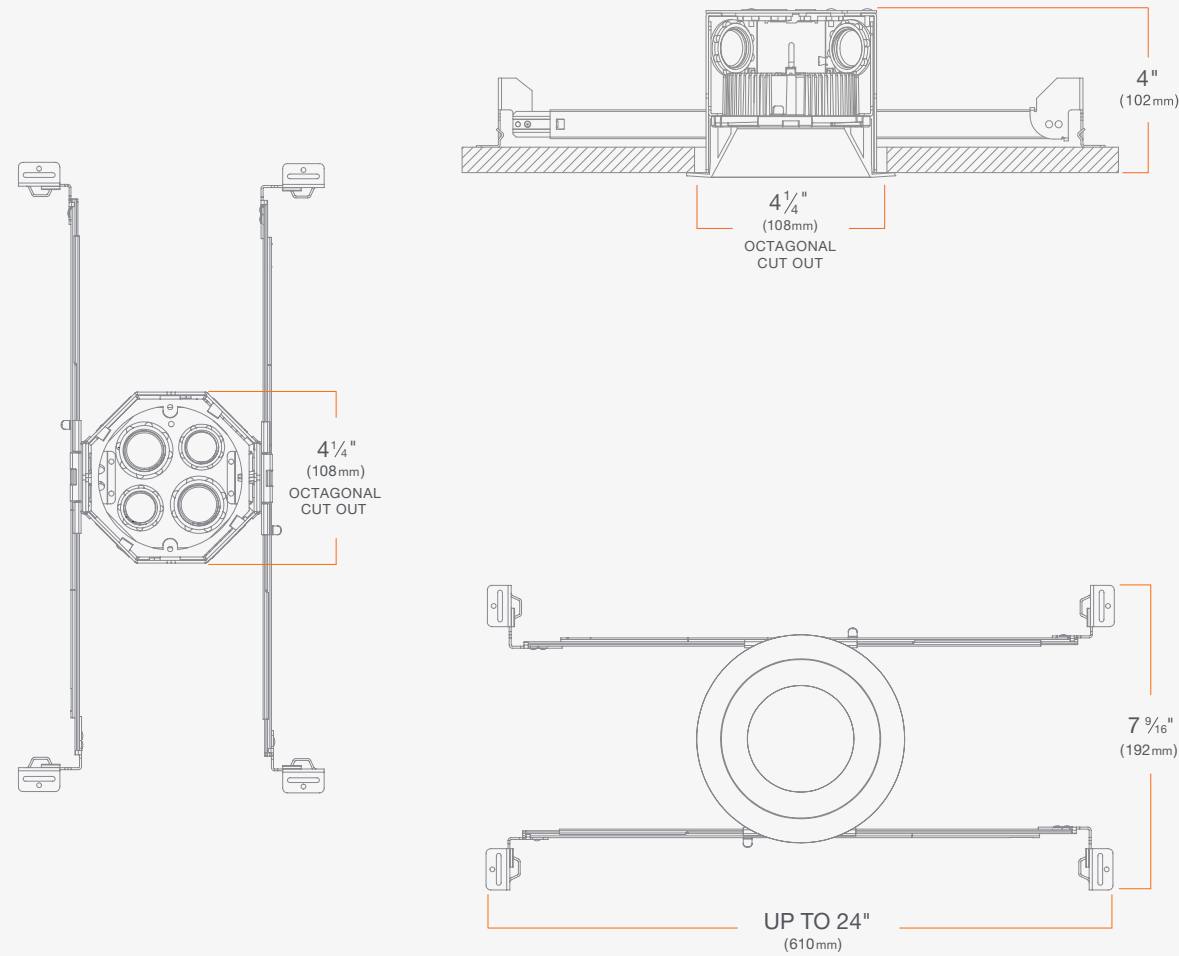
- Dimensions
- Photometrics
- Dimming & Controls



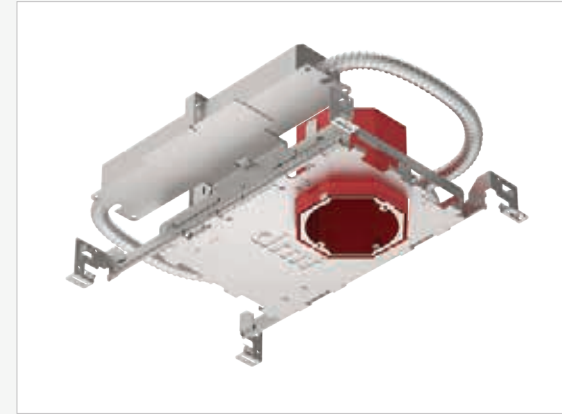
Housing Dimensions



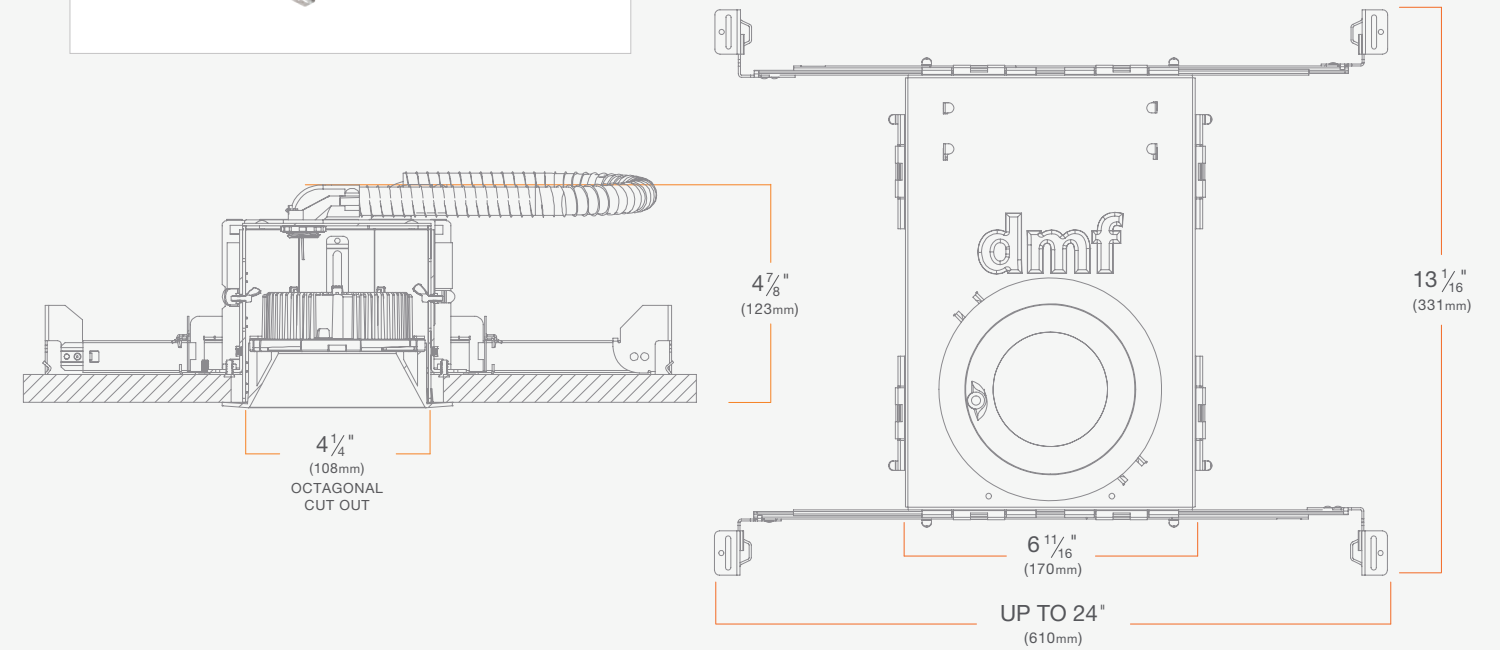
OneFrame
New Construction
Deep Junction Box
DRDHNJD



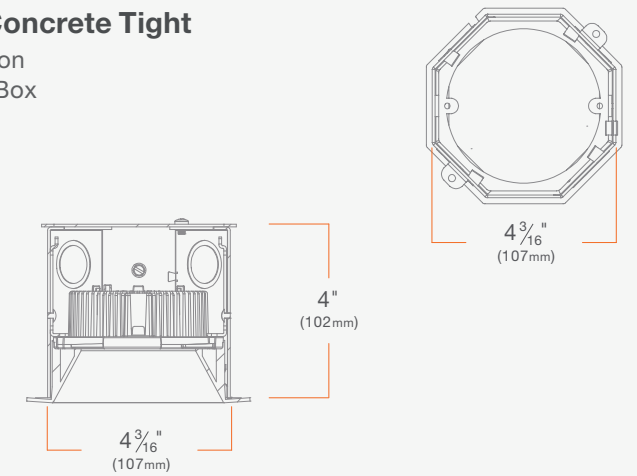
Housing Dimensions



**OneFrame Alternate Dimming
and/or Emergency Lighting**
New Construction
Deep Junction Box
DRDHNJD



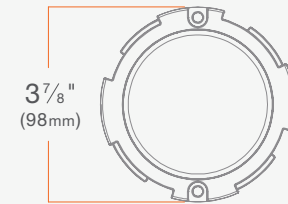
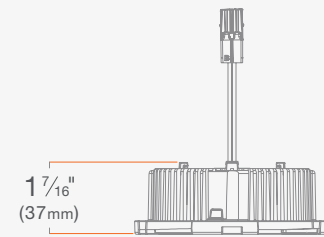
OneFrame Concrete Tight
New Construction
Deep Junction Box
DRDHNJC



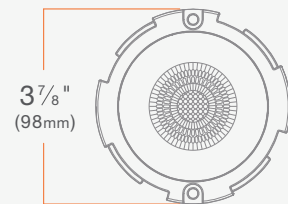
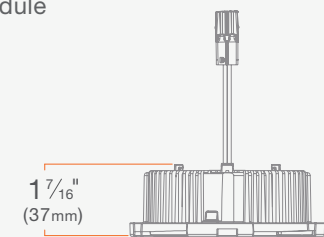
Module Dimensions



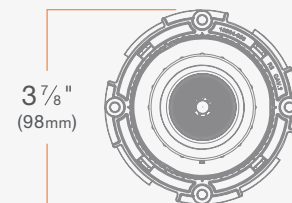
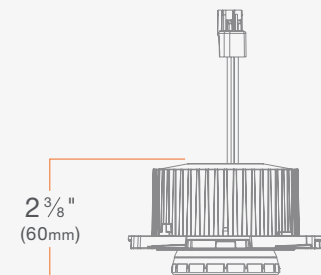
DRD2
General LED Module
DRD2M



DRD2X
Apex Series LED Module
DRD2X



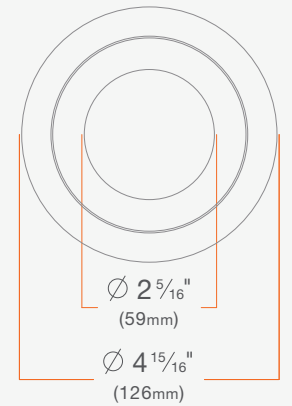
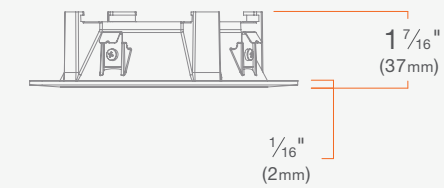
DRD4
Adjustable LED Module
DRD4M



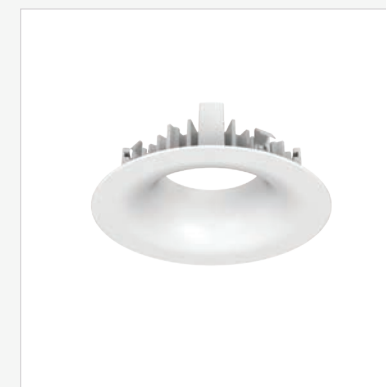
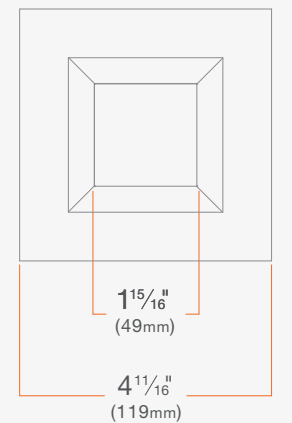
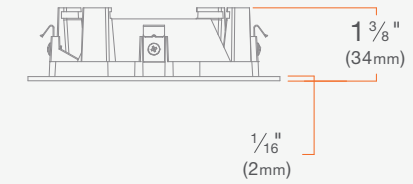
Trim Dimensions



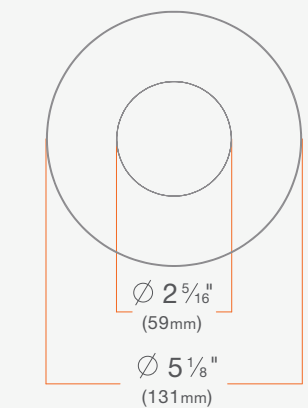
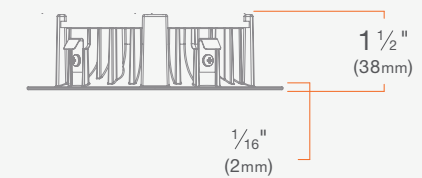
Round Trim
DRD2TRJDSWH



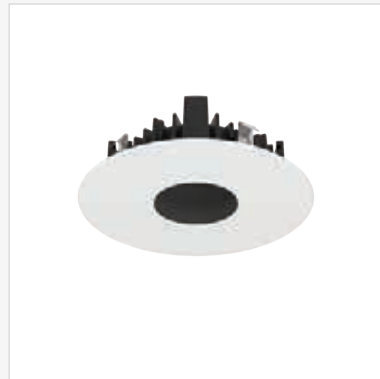
Square Trim
DRD2TSJDSWH



Hyperbolic Trim
DRD2TRJDHWH

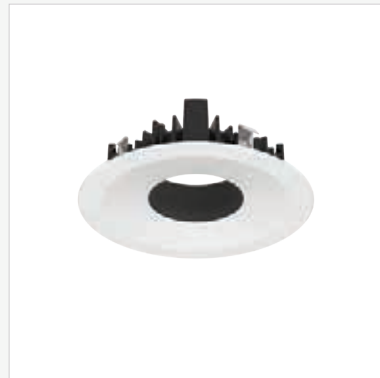
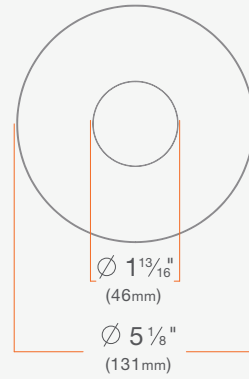
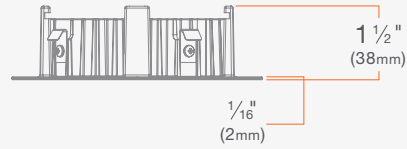


Trim Dimensions



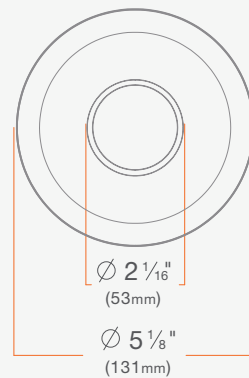
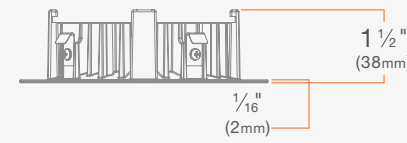
Pinhole Trim

DRD2TRJDPWH



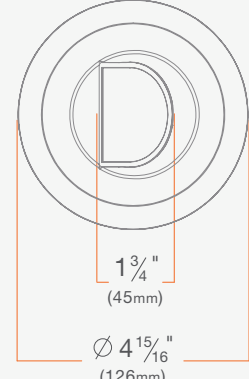
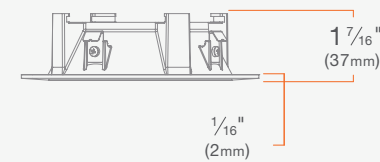
Beveled Pinhole Trim

DRD2TRJDBWH



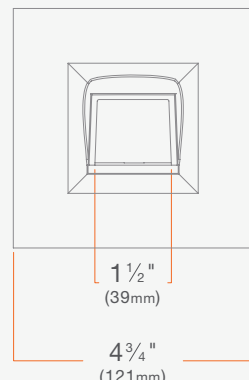
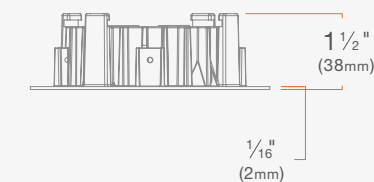
Round Wall Wash Trim

Round: DRD2TRJDWWH



Square Wall Wash Trim

DRD2TSJDWWH

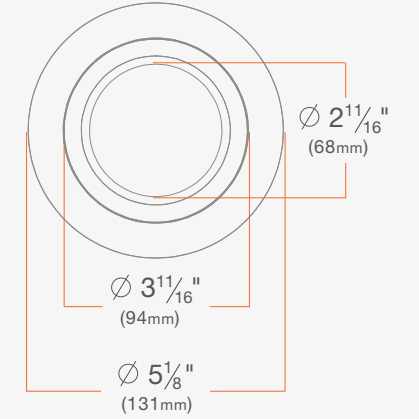
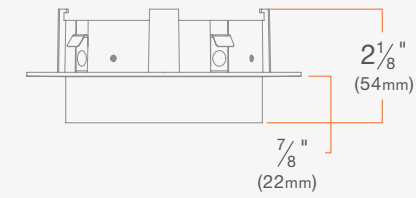


Trim Dimensions



Decorative Open Trim

Frosted: DRD2TRJDSWHDOF

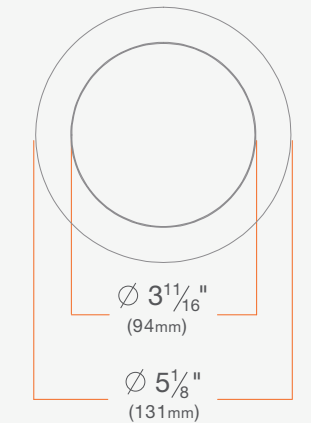
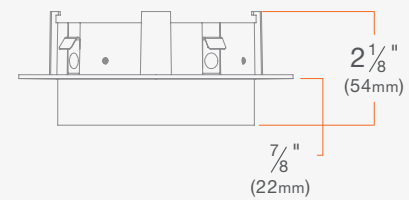


Decorative Closed Trim

Frosted: DRD2TRJDSWHDCF

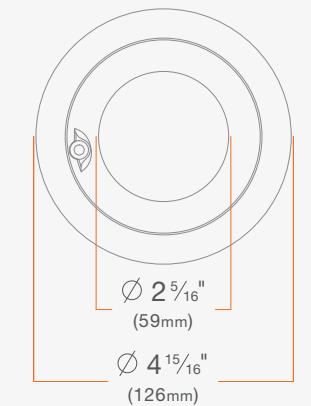
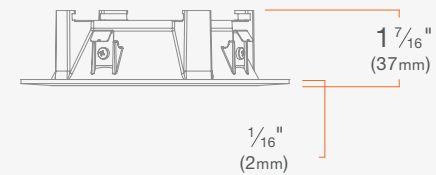
Clear, Frosted Side: DRD2TRJDSWHGCC

Clear, Frosted Inside: DRD2TRJDSWHCCCF



Emergency Trim

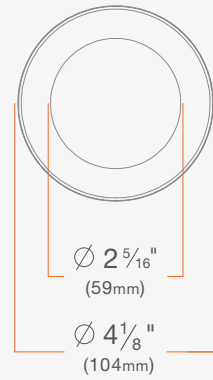
DRD2TRJDSWHEM



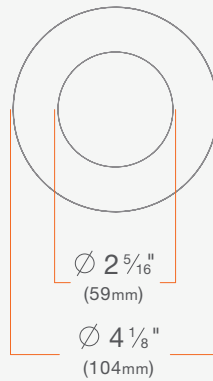
Trim Dimensions



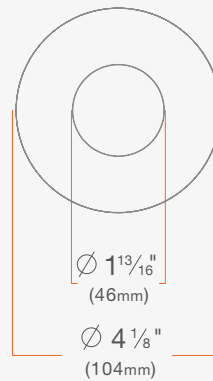
**Round
Flangeless Trim Insert**
DRD2TRJDSWHFL



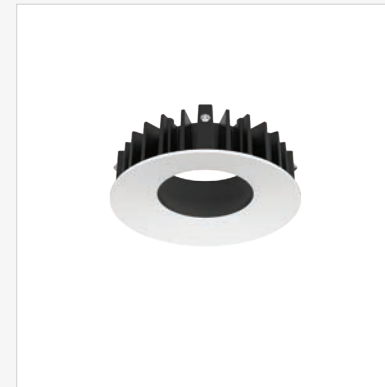
**Hyperbolic
Flangeless Trim Insert**
DRD2TRJDHWHFL



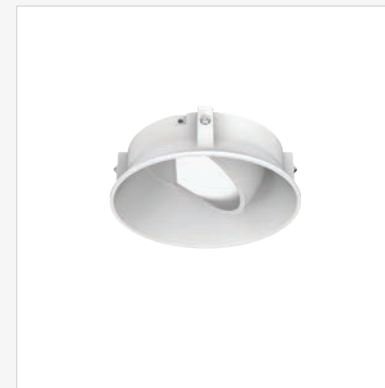
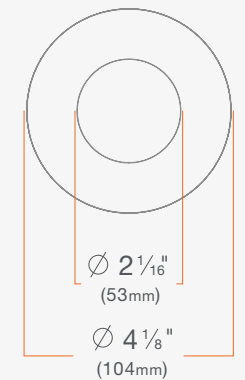
**Pinhole
Flangeless Trim Insert**
DRD2TRJDPWHFL



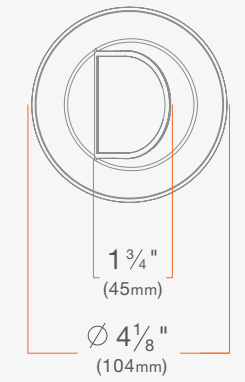
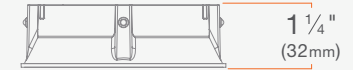
Trim Dimensions



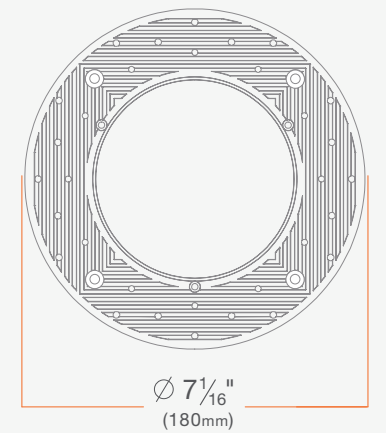
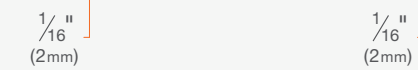
**Beveled Pinhole
Flangeless Trim Insert**
DRD2TRJDBWHFL



**Round Wall Wash
Flangeless Trim Insert**
DRD2TRJDWWHFL



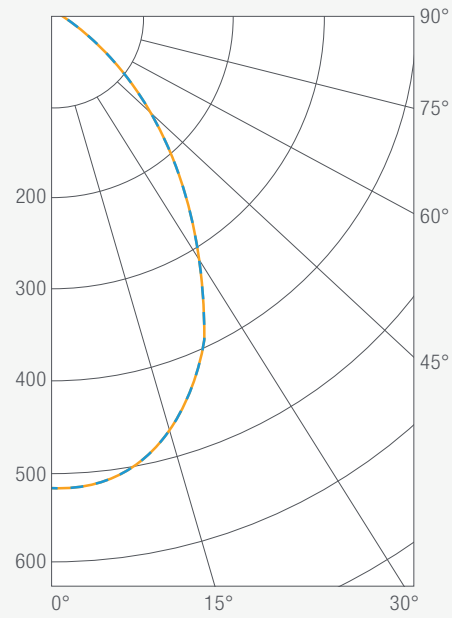
Flangeless Mud Plate
DRDHX-MUD-FL



Photometrics

DRD2 General LED Module*

750 lm, 93 CRI, 3000K **DRD2M7930**



cd — C0 - C180 — C90 - C270 761 lm

Luminous Intensity

Gamma	C 0°
0.0°	518
5.0°	516
10.0°	506
15.0°	484
20.0°	447
25.0°	398
30.0°	335
35.0°	263
40.0°	196
45.0°	147
50.0°	110
55.0°	79
60.0°	54
65.0°	36
70.0°	23
75.0°	14
80.0°	9
85.0°	5
90.0°	2

Values in candela

Zonal Lumen Summary

Zone	Lumens	Luminaire %
0-30	361	48
0-40	526	69
0-60	706	93
0-90	761	100
0-180	761	100

Illuminance Chart

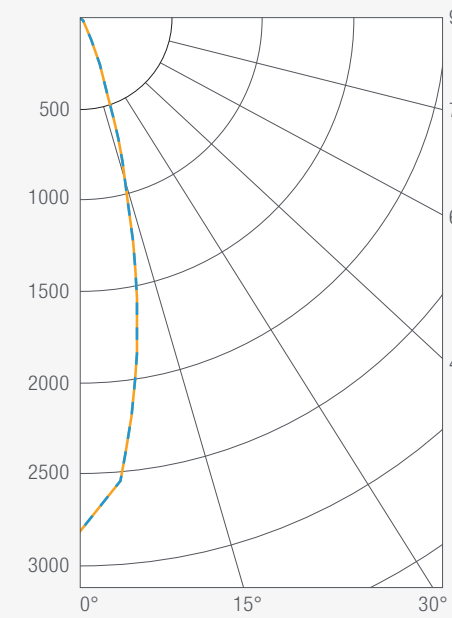
Distance from LED	Foot Candles	Diameter
2.5'	83	3.5'
5.0'	21	7.0'
7.5'	9	10.6'
9.0'	6	12.7'

Beam Angle: 70°

Photometrics

DRD2X Apex Series Module - Narrow Flood*

750 lm, 90 CRI, 3000K, Narrow Flood, White **DRD2X07930NFWH**



cd — C0 - C180 — C90 - C270 738 lm

Luminous Intensity

Gamma	C 0°
0.0°	2827
5.0°	2575
10.0°	1845
15.0°	1032
20.0°	499
25.0°	213
30.0°	119
35.0°	76
40.0°	53
45.0°	38
50.0°	24
55.0°	15
60.0°	7
65.0°	5
70.0°	4
75.0°	3
80.0°	1
85.0°	1
90.0°	0

Values in candela

Zonal Lumen Summary

Zone	Lumens	Luminaire %
0-30	636	86
0-40	687	93
0-60	729	99
0-90	738	100
0-180	738	100

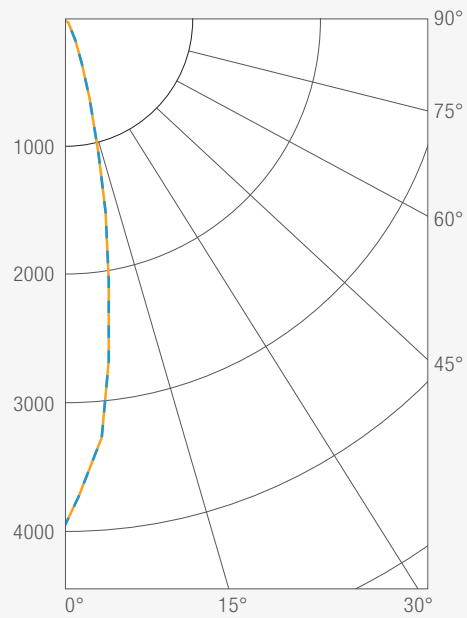
Illuminance Chart

Distance from LED	Foot Candles	Diameter
3.0'	314	1.4'
6.0'	79	2.7'
9.0'	35	4.1'
12.0'	20	5.4'

Beam Angle: 26°

DRD2X Apex Series LED Module - Spot*

750 lm, 90 CRI, 3000K, Spot, White **DRD2X07930SPWH**



cd — C0 - C180 — C90 - C270 734 lm

Luminous Intensity

Gamma	C 0°
0.0°	3949
5.0°	3303
10.0°	1934
15.0°	877
20.0°	387
25.0°	183
30.0°	111
35.0°	79
40.0°	56
45.0°	37
50.0°	21
55.0°	11
60.0°	7
65.0°	3
70.0°	3
75.0°	3
80.0°	1
85.0°	1
90.0°	0

Values in candela

Zonal Lumen Summary

Zone	Lumens	Luminaire %
0-30	640	87
0-40	689	94
0-60	728	99
0-90	734	100
0-180	734	100

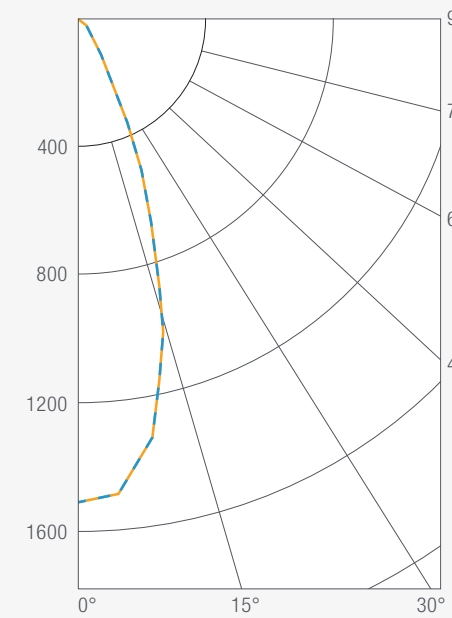
Illuminance Chart

Distance from LED	Foot Candles	Diameter
3.0'	439	1.0'
6.0'	110	2.1'
9.0'	49	3.1'
12.0'	27	4.1'

Beam Angle: 20°

DRD2X Apex Series LED Module - Flood*

750 lm, 90 CRI, 3000K, Flood, White **DRD2X07930FLWH**



cd — C0 - C180 — C90 - C270 723 lm

Luminous Intensity

Gamma	C 0°
0.0°	1514
5.0°	1495
10.0°	1336
15.0°	1010
20.0°	634
25.0°	347
30.0°	183
35.0°	102
40.0°	62
45.0°	38
50.0°	21
55.0°	11
60.0°	6
65.0°	5
70.0°	3
75.0°	2
80.0°	2
85.0°	1
90.0°	0

Values in candela

Zonal Lumen Summary

Zone	Lumens	Luminaire %
0-30	599	83
0-40	673	93
0-60	715	99
0-90	723	100
0-180	723	100

Illuminance Chart

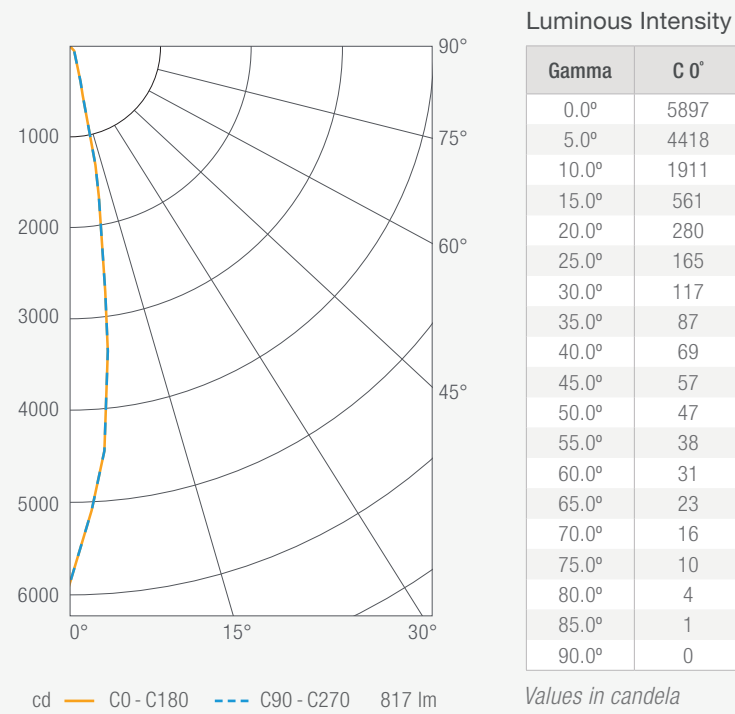
Distance from LED	Foot Candles	Diameter
3.0'	168	2.1'
6.0'	42	4.1'
9.0'	19	6.2'
12.0'	11	8.2'

Beam Angle: 38°

Photometrics

DRD4 Adjustable LED Module - Spot*

800 lm, 90 CRI, 3000K, Spot **DRD4M08930SP**



Zonal Lumen Summary

Zone	Lumens	Luminaire %
0-30	645	79
0-40	701	86
0-60	781	96
0-90	817	100
0-180	817	100

Illuminance Chart

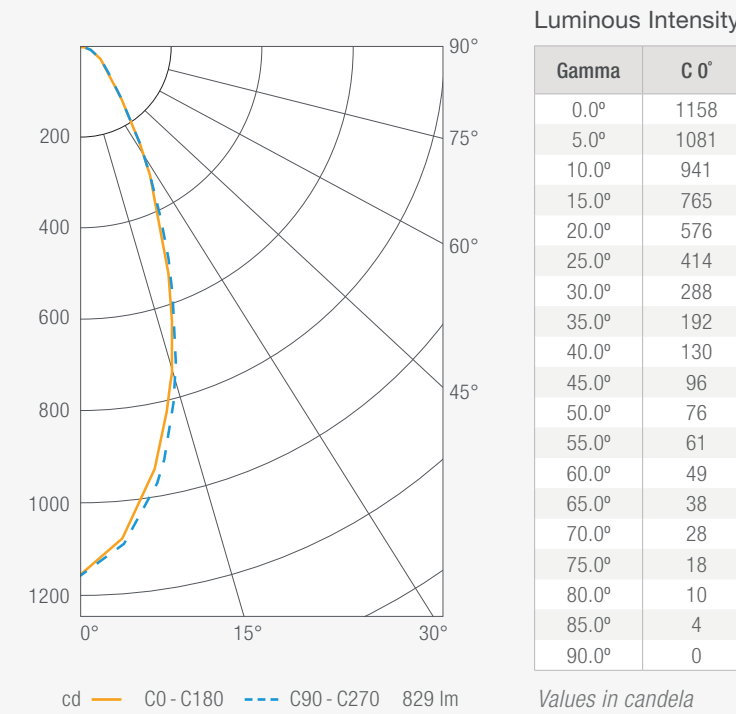
Distance from LED	Foot Candles	Diameter
3.0'	655	0.8'
6.0'	164	1.7'
9.0'	73	2.5'
12.0'	41	3.3'

Beam Angle: 16°

Photometrics

DRD4 Adjustable LED Module - Flood*

800 lm, 90 CRI, 3000K, Flood **DRD4M08930FL**



Zonal Lumen Summary

Zone	Lumens	Luminaire %
0-30	510	62
0-40	633	76
0-60	766	92
0-90	829	100
0-180	829	100

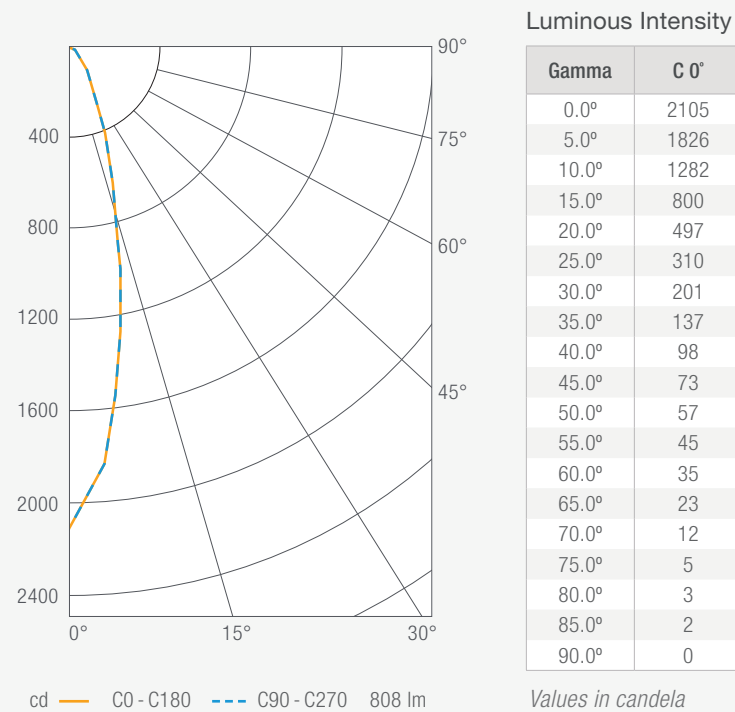
Illuminance Chart

Distance from LED	Foot Candles	Diameter
3.0'	129	2.2'
6.0'	32	4.5'
9.0'	14	6.7'
12.0'	8	9.0'

Beam Angle: 41°

DRD4 Adjustable LED Module - Narrow Flood*

800 lm, 90 CRI, 3000K, Narrow Flood **DRD4M08930NF**



Zonal Lumen Summary

Zone	Lumens	Luminaire %
0-30	573	71
0-40	668	83
0-60	773	96
0-90	808	100
0-180	808	100

Illuminance Chart

Distance from LED	Foot Candles	Diameter
3.0'	234	1.3'
6.0'	58	2.6'
9.0'	26	3.9'
12.0'	15	5.2'

Beam Angle: 28°

Lumen Scaling

DRD2M7 750 lm	DRD2M10 1000 lm	DRD2X06 600 lm	DRD2X07 750 lm	DRD4M06 650 lm	DRD4M08 800 lm
1.00	1.33	0.80	1.00	0.75	1.00

CCT Scaling

DRD_27 2700K	DRD_30 3000K	DRD_35 3500K	DRD_40 4000K
0.93	1.00	1.00	1.07

Dimming & Controls

Recommended Phase-control Dimmers (Dims down to less than 5% nominal measured light output)

Brand	Series	Model Number
Control 4	Control 4	C4-APD120
Cooper	Decorator	DLC03P, DAL06P
Legrand	Adorne	ADPD703TU
Lutron	Caseta	PD-6WCL
	CL series	AYCL-153, CTCL-153, DVCL-153, LGCL-153, SCL-153, TGCL-153, AYCL-253, DVCL-253
	Grafik Eye 3000	QSGR-3P
	Grafik Sys/Homeworks	RPM-4A
	Grafik Sys/Homeworks	RPM-4U
	Maestro CL	MACL-153M, MSCL-OP153M, MSCL-VP153M
	Maestro Wireless	MRF2-6ELV, MRF2-6CL

Compatible Phase-control Dimmers¹ (Dims down to less than 20% nominal measured light output)

Brand	Series	Model Number
Cooper	Slide	SLC03P, SAL06P
Legrand	Harmony	H703PTU, HCL453P
Leviton	IllumaTech Slide	IPE04
	SureSlide	6621, 6674
Lutron	Diva	DV-600
	Maestro	MA-600
	Maestro ELV	MAELV-600, MSCELV-600
	Maestro Wireless	MRF2-6ND
	Radio RA	RRD-6NA, RRD-6CL, RRD-6D
	Power Booster	PHPM-PA, PHPM-WBX
	Sunrise	SR400RPC120, ZP260QEW
Watt Stopper	Digital Light Management	LMRC-221
	Dimming Sensor	PW-100D

¹Dimmer compatibility reflects performance compatibility only. Please reference your local codes for application.

Dimming & Controls

Recommended 0-10V Dimmers (Dims down to less than 1% nominal measured light output)

Brand	Series	Model Number
Legrand	Titan	CD4FB
Acuity Brands	IllumaTech	IP710-DLZ
Lithonia	Synergy	ISD BC
Lutron	Diva	DVTV
	Nova	NFTV
	Nova	NTSTV-DV
	PowPak	RMJ-5T-DV

Please see corresponding Specification Sheets and Dimming Guides for more information.

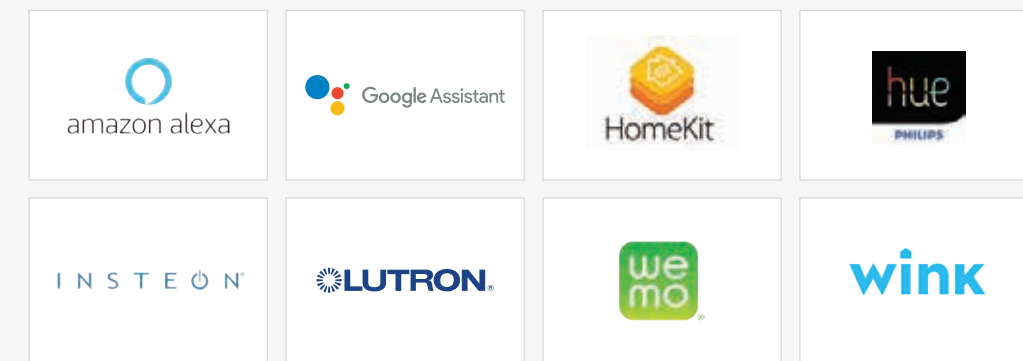


Lutron OEM Advantage Partner

You can be confident that all your DMF products will integrate seamlessly with Lutron drivers and controls. The OEM Advantage Program eliminates the uncertainty between control and fixture specification.

Smart Home Integration

Integrating with your favorite IoT or Smart Home system is easy. Just replace a standard switch or compatible dimmer with a smart option, and your lighting will quickly integrate with your control solution.



PRODUCT BUILDER



DRD2 & OneFrame
 General Recessed LED Downlight
 DRDHNJD Deep Junction Box

HOUSING

PRODUCT CODE	APPLICATION	APERTURE
<input type="text"/>	<input type="text"/>	<input type="text"/>
DRDH Housing	N New Construction	JD Deep Junction Box

DRD2 LED MODULE

PRODUCT CODE	LUMENS	CRI	CCT
<input type="text"/>	<input type="text"/>	<input type="text"/>	<input type="text"/>
DRD2M Module	7 750 lm	9 93+ CRI	27 2700K
	10 1000 lm		30 3000K
			35 3500K
			40 4000K

TRIM

PRODUCT CODE	SHAPE	APERTURE	STYLE	FINISH	OPTION
<input type="text"/>	<input type="text"/>	<input type="text"/>	<input type="text"/>	<input type="text"/>	<input type="text"/>
DRD2T Trim	R Round	JD Deep Junction Box	S Standard	WH White	[Blank] None
	S Square ¹		H Hyperbolic ^{2,3}	BK Black	DOF Decorative: Open, Frosted ^{2,3,4}
			P Pinhole ^{2,3}	SW Silver Reflector, White Flange	DCF Decorative: Closed, Frosted ^{2,3,4}
			B Beveled Pinhole ^{2,3}	CC Custom Color	DCC Decorative: Closed, Clear, Frosted Side ^{2,3,4}
			W Wall Wash ²		DCCF Decorative: Closed, Clear, Frosted Inside ^{2,3,4}
					FL Flangeless ^{2,3,5}

DRDHX-MUD-FL	Flangeless Mud Plate (Required for Flangeless Trim)
---------------------	---

¹ Only available in Standard or Wall Wash style
² Only available in White or Custom Color finish
³ Only available in Round shape
⁴ Only available in Standard style
⁵ Requires DRDHX-MUD-FL Flangeless Mud Plate



DRD2 & OneFrame Alt/EM

General Recessed LED Downlight

Alternate Dimming and/or Emergency Lighting
DRDHNJD Deep Junction Box

ALTERNATE DIMMING / EM HOUSING

PRODUCT CODE	APPLICATION	APERTURE	DRIVER	OPTION
<input type="text"/>	<input type="text"/>	<input type="text"/>	<input type="text"/>	<input type="text"/>
DRDH	Housing	N New Construction	JD Deep Junction Box	70 0-10V, 750 lm
				EM EM Driver, Integrated Test Switch
			100 0-10V, 1000 lm	EMS EM Driver, Remote Test Switch
			7C Lutron LDE1 ¹ , 750 lm	
			10C Lutron LDE1 ¹ , 1000 lm	
			7L Lutron LTEA2W ² , 750 lm	
			10L Lutron LTEA2W ² , 1000 lm	

DRD2 LED MODULE

PRODUCT CODE	LUMENS	CRI	CCT	DRIVER
<input type="text"/>	<input type="text"/>	<input type="text"/>	<input type="text"/>	<input type="text"/>
DRD2M	Module	7 750 lm	9 93+ CRI	27 2700K
		10 1000 lm		A Alternate
			30 3000K	
			35 3500K	
			40 4000K	

TRIM

PRODUCT CODE	SHAPE	APERTURE	STYLE	FINISH	OPTION
<input type="text"/>	<input type="text"/>	<input type="text"/>	<input type="text"/>	<input type="text"/>	<input type="text"/>
DRD2T	Trim	R Round	JD Deep Junction Box	S Standard	WH White
		S Square ³		H Hyperbolic ^{4,5}	BK Black
				P Pinhole ^{4,5}	SW Silver Reflector, White Flange
				B Beveled Pinhole ^{4,5}	CC Custom Color
				W Wall Wash ⁴	CC Custom Color
					DCCF Decorative: Closed, Clear, Frosted Inside ^{4,5,6}
					DCC Decorative: Closed, Clear, Frosted Side ^{4,5,6}
					DOF Decorative: Open, Frosted ^{4,5,6}
					DCF Decorative: Closed, Frosted ^{4,5,6}
					DCCF Decorative: Closed, Clear, Frosted Inside ^{2,3,4}
					DCC Decorative: Closed, Clear, Frosted Side ^{2,3,4}
					DOF Decorative: Open, Frosted ^{2,3,4}
					FL Flangeless ^{4,5,7}
					EM Emergency ^{5,6}

DRDHX-MUD-FL Flangeless Mud Plate (Required for Flangeless Trim)

¹ Lutron LDE1 refers to Lutron Hi-lume 1% EcoSystem LED driver with Soft-on, Fade-to-Black™
² Lutron LTEA2W refers to Lutron Hi-lume 1% 2-wire LED driver
³ Only available in Standard or Wall Wash style
⁴ Only available in White or Custom Color finish
⁵ Only available in Round shape
⁶ Only available in Standard style
⁷ Requires DRDHX-MUD-FL Flangeless Mud Plate



DRD2 & OneFrame Concrete

General Recessed LED Downlight

Concrete Tight
DRDHNJC Deep Junction Box

CONCRETE HOUSING

PRODUCT CODE	APPLICATION	APERTURE
<input type="text"/>	<input type="text"/>	<input type="text"/>
DRDH	Housing	N New Construction
		JC Deep Junction Box, Concrete Tight

DRD2 LED MODULE

PRODUCT CODE	LUMENS	CRI	CCT
<input type="text"/>	<input type="text"/>	<input type="text"/>	<input type="text"/>
DRD2M	Module	7 750 lm	9 93+ CRI
		10 1000 lm	
			27 2700K
			30 3000K
			35 3500K
			40 4000K

TRIM

PRODUCT CODE	SHAPE	APERTURE	STYLE	FINISH	OPTION
<input type="text"/>	<input type="text"/>	<input type="text"/>	<input type="text"/>	<input type="text"/>	<input type="text"/>
DRD2T	Trim	R Round	JD Deep Junction Box	S Standard	WH White
		S Square ¹		H Hyperbolic ^{2,3}	BK Black
				P Pinhole ^{2,3}	SW Silver Reflector, White Flange
				B Beveled Pinhole ^{2,3}	CC Custom Color
				W Wall Wash ²	CC Custom Color
					DCCF Decorative: Closed, Clear, Frosted Inside ^{2,3,4}
					DCC Decorative: Closed, Clear, Frosted Side ^{2,3,4}
					DOF Decorative: Open, Frosted ^{2,3,4}
					DCF Decorative: Closed, Frosted ^{2,3,4}
					DCCF Decorative: Closed, Clear, Frosted Inside ^{2,3,4}
					DCC Decorative: Closed, Clear, Frosted Side ^{2,3,4}
					DOF Decorative: Open, Frosted ^{2,3,4}
					FL Flangeless ^{2,3,5}

DRDHX-MUD-FL Flangeless Mud Plate (Required for Flangeless Trim)

¹ Only available in Standard or Wall Wash style
² Only available in White or Custom Color finish
³ Only available in Round shape
⁴ Only available in Standard style
⁵ Requires DRDHX-MUD-FL Flangeless Mud Plate



DRD2X & OneFrame
Apex Series Recessed LED Downlight
DRDHNJD Deep Junction Box

HOUSING

PRODUCT CODE	APPLICATION	APERTURE
<input type="text"/>	<input type="text"/>	<input type="text"/>
DRDH	Housing	N New Construction
		JD Deep Junction Box

DRD2X LED MODULE

PRODUCT CODE	LUMENS	CRI	CCT	OPTICS	SURROUND
<input type="text"/>	<input type="text"/>	<input type="text"/>	<input type="text"/>	<input type="text"/>	<input type="text"/>
DRD2X	Module	06 600 lm	9 90+ CRI	27 2700K	SP Spot
		07 750 lm		30 3000K	NF Narrow Flood
				35 3500K	FL Flood
				40 4000K	
					WH White
					BK Black

TRIM

PRODUCT CODE	SHAPE	APERTURE	STYLE	FINISH	OPTION
<input type="text"/>	<input type="text"/>	<input type="text"/>	<input type="text"/>	<input type="text"/>	<input type="text"/>
DRD2T	Trim	R Round	JD Deep Junction Box	S Standard	WH White
		S Square ¹		H Hyperbolic ^{2,3}	BK Black
				P Pinhole ^{2,3}	SW Silver Reflector, White Flange
				B Beveled Pinhole ^{2,3}	CC Custom Color
				W Wall Wash ²	
					DCF Decorative: Closed, Frosted ^{2,3,4}
					DCC Decorative: Closed, Clear, Frosted Side ^{2,3,4}
					DCCF Decorative: Closed, Clear, Frosted Inside ^{2,3,4}
					FL Flangeless ^{2,3,5}

DRDHX-MUD-FL Flangeless Mud Plate (Required for Flangeless Trim)

¹ Only available in Standard or Wall Wash style
² Only available in White or Custom Color finish
³ Only available in Round shape
⁴ Only available in Standard style
⁵ Requires DRDHX-MUD-FL Flangeless Mud Plate



DRD2X & OneFrame Alt/EM
Apex Series Recessed LED Downlight
Alternate Dimming and/or Emergency Lighting
DRDHNJD Deep Junction Box

ALTERNATE DIMMING / EM HOUSING

PRODUCT CODE	APPLICATION	APERTURE	DRIVER	OPTION
<input type="text"/>	<input type="text"/>	<input type="text"/>	<input type="text"/>	<input type="text"/>
DRDH	Housing	N New Construction	JD Deep Junction Box	60X 0-10V, 600 lm
				70X 0-10V, 750 lm
				6CX Lutron LDE1 ¹ , 600 lm
				7CX Lutron LDE1 ¹ , 750 lm
				6LX Lutron LTEA2W ² , 600 lm
				7LX Lutron LTEA2W ² , 750 lm
				[Blank] None
				EM EM Driver, Integrated Test Switch
				EMS EM Driver, Remote Test Switch

DRD2X LED MODULE

PRODUCT CODE	LUMENS	CRI	CCT	OPTICS	SURROUND	DRIVER
<input type="text"/>	<input type="text"/>	<input type="text"/>	<input type="text"/>	<input type="text"/>	<input type="text"/>	<input type="text"/>
DRD2X	Module	06 600 lm	9 90+ CRI	27 2700K	SP Spot	WH White
		07 750 lm		30 3000K	NF Narrow Flood	BK Black
				35 3500K	FL Flood	
				40 4000K		
						A Alternate

TRIM

PRODUCT CODE	SHAPE	APERTURE	STYLE	FINISH	OPTION
<input type="text"/>	<input type="text"/>	<input type="text"/>	<input type="text"/>	<input type="text"/>	<input type="text"/>
DRD2T	Trim	R Round	JD Deep Junction Box	S Standard	WH White
		S Square ³		H Hyperbolic ^{4,5}	BK Black
				P Pinhole ^{4,5}	SW Silver Reflector, White Flange
				B Beveled Pinhole ^{4,5}	CC Custom Color
				W Wall Wash ⁴	
					DCF Decorative: Closed, Frosted ^{4,5,6}
					DCC Decorative: Closed, Clear, Frosted Side ^{4,5,6}
					DCCF Decorative: Closed, Clear, Frosted Inside ^{4,5,6}
					FL Flangeless ^{4,5,7}
					EM Emergency ^{5,6}

DRDHX-MUD-FL Flangeless Mud Plate (Required for Flangeless Trim)

¹ Lutron LDE1 refers to Lutron Hi-Lume 1% EcoSystem LED driver with Soft-on, Fade-to-Black™
² Lutron LTEA2W refers to Lutron Hi-Lume 1% 2-wire LED driver
³ Only available in Standard or Wall Wash style
⁴ Only available in White or Custom Color finish
⁵ Only available in Round shape
⁶ Only available in Standard style
⁷ Requires DRDHX-MUD-FL Flangeless Mud Plate



DRD2X & OneFrame Concrete

Apex Series Recessed LED Downlight

Concrete Tight
DRDHNJC Deep Junction Box

CONCRETE HOUSING

PRODUCT CODE	APPLICATION	APERTURE
<input type="text"/>	<input type="text"/>	<input type="text"/>
DRDH Housing	N New Construction	JC Deep Junction Box, Concrete Tight

DRD2X LED MODULE

PRODUCT CODE	LUMENS	CRI	CCT	OPTICS	SURROUND
<input type="text"/>	<input type="text"/>	<input type="text"/>	<input type="text"/>	<input type="text"/>	<input type="text"/>
DRD2X Module	06 600 lm	9 90+ CRI	27 2700K	SP Spot	WH White
	07 750 lm		30 3000K	NF Narrow Flood	BK Black
			35 3500K	FL Flood	
			40 4000K		

TRIM

PRODUCT CODE	SHAPE	APERTURE	STYLE	FINISH	OPTION
<input type="text"/>	<input type="text"/>	<input type="text"/>	<input type="text"/>	<input type="text"/>	<input type="text"/>
DRD2T Trim	R Round	JD Deep Junction Box	S Standard	WH White	[Blank] None
	S Square ¹		H Hyperbolic ^{2,3}	BK Black	DOF Decorative: Open, Frosted ^{2,3,4}
			P Pinhole ^{2,3}	SW Silver Reflector, White Flange	DCF Decorative: Closed, Frosted ^{2,3,4}
			B Beveled Pinhole ^{2,3}	CC Custom Color	DCC Decorative: Closed, Clear, Frosted Side ^{2,3,4}
			W Wall Wash ²		DCCF Decorative: Closed, Clear, Frosted Inside ^{2,3,4}
					FL Flangeless ^{2,3,5}

DRDHX-MUD-FL	Flangeless Mud Plate (Required for Flangeless Trim)
---------------------	---

¹ Only available in Standard or Wall Wash style
² Only available in White or Custom Color finish
³ Only available in Round shape
⁴ Only available in Standard style
⁵ Requires DRDHX-MUD-FL Flangeless Mud Plate



DRD4 & OneFrame

Adjustable Recessed LED Downlight

DRDHNJD Deep Junction Box

HOUSING

PRODUCT CODE	APPLICATION	APERTURE
<input type="text"/>	<input type="text"/>	<input type="text"/>
DRDH Housing	N New Construction	JD Deep Junction Box

DRD4 LED MODULE

PRODUCT CODE	LUMENS	CRI	CCT	OPTICS
<input type="text"/>	<input type="text"/>	<input type="text"/>	<input type="text"/>	<input type="text"/>
DRD4M Module	06 650 lm	9 90+ CRI	27 2700K	SP Spot
	08 800 lm		30 3000K	NF Narrow Flood
			35 3500K	FL Flood
			40 4000K	

TRIM

PRODUCT CODE	SHAPE	APERTURE	STYLE	FINISH	OPTION
<input type="text"/>	<input type="text"/>	<input type="text"/>	<input type="text"/>	<input type="text"/>	<input type="text"/>
DRD2T Trim	R Round	JD Deep Junction Box	S Standard	WH White	[Blank] None
			H Hyperbolic ¹	BK Black	FL Flangeless ^{1,2}
			P Pinhole ¹	SW Silver Reflector w/ White Flange	
			B Beveled Pinhole ¹	CC Custom Color	

DRDHX-MUD-FL	Flangeless Mud Plate (Required for Flangeless Trim)
---------------------	---

¹ Only available in White or Custom Color finish
² Requires DRDHX-MUD-FL Flangeless Mud Plate

ACCESSORIES

DRD4X-HL	Hexcell Louver
DRD4X-LL	Linear Spread Lens



DRD4 & OneFrame Alt/EM

Adjustable Recessed LED Downlight

Alternate Dimming and/or Emergency Lighting
DRDHNJD Deep Junction Box

ALTERNATE DIMMING / EM HOUSING

PRODUCT CODE	APPLICATION	APERTURE	DRIVER	OPTION
DRDH	Housing	N New Construction	JD Deep Junction Box	60 0-10V, 650 lm
				[Blank] None
			80 0-10V, 800 lm	EM EM Driver, Integrated Test Switch
			6C Lutron LDE1 ¹ , 650 lm	EMS EM Driver, Remote Test Switch
			8C Lutron LDE1 ¹ , 800 lm	
			6L Lutron LTEA2W ² , 650 lm	
			8L Lutron LTEA2W ² , 800 lm	

DRD4 LED MODULE

PRODUCT CODE	LUMENS	CRI	CCT	OPTICS	DRIVER
DRD4M	Module	06 650 lm	9 90+ CRI	27 2700K	SP Spot
		08 800 lm		30 3000K	NF Narrow Flood
				35 3500K	FL Flood
				40 4000K	

TRIM

PRODUCT CODE	SHAPE	APERTURE	STYLE	FINISH	OPTION
DRD2T	Trim	R Round	JD Deep Junction Box	S Standard	WH White
				[Blank]	None
				H Hyperbolic ³	BK Black
				P Pinhole ³	SW Silver Reflector, White Flange
				B Beveled Pinhole ³	CC Custom Color
					FL Flangeless ^{3,4}
					EM Emergency ^{3,5}

DRDHX-MUD-FL Flangeless Mud Plate (Required for Flangeless Trim)

ACCESSORIES

DRD4X-HL	Hexcell Louver
DRD4X-LL	Linear Spread Lens

¹ Lutron LDE1 refers to Lutron Hi-lume 1% EcoSystem LED driver with Soft-on, Fade-to-Black™

² Lutron LTEA2W refers to Lutron Hi-lume 1% 2-wire LED driver

³ Only available in Round shape and White or Custom Color finish

⁴ Requires DRDHX-MUD-FL Flangeless Mud Plate

⁵ Only available in Standard style



DRD4 & OneFrame Concrete

Adjustable Recessed LED Downlight

Concrete Tight
DRDHNJC Deep Junction Box

CONCRETE HOUSING

PRODUCT CODE	APPLICATION	APERTURE
DRDH	Housing	N New Construction
		JD Deep Junction Box, Concrete Tight

DRD4 LED MODULE

PRODUCT CODE	LUMENS	CRI	CCT	OPTICS
DRD4M	Module	06 650 lm	9 90+ CRI	27 2700K
		08 800 lm		30 3000K
				35 3500K
				40 4000K

TRIM

PRODUCT CODE	SHAPE	APERTURE	STYLE	FINISH	OPTION
DRD2T	Trim	R Round	JD Deep Junction Box	S Standard	WH White
				H Hyperbolic ¹	BK Black
				P Pinhole ¹	SW Silver Reflector w/ White Flange
				B Beveled Pinhole ¹	CC Custom Color
					[Blank] None
					FL Flangeless ^{1,2}

DRDHX-MUD-FL Flangeless Mud Plate (Required for Flangeless Trim)

¹ Only available in White or Custom Color finish

² Requires DRDHX-MUD-FL Flangeless Mud Plate

ACCESSORIES

DRD4X-HL	Hexcell Louver
DRD4X-LL	Linear Spread Lens



Magleby Estate Homes: Utah Valley Parade Home, Utah



The Irvine Company: Eastwood Village, Irvine, California



“Our engineers think holistically about how optics, electronics, aesthetics, and usability interact. And because we make everything we can in-house, every aspect of our products works together flawlessly to deliver realistic, transformative light.”



“We’re focused on engineering lighting that lasts, not chasing trends.”

Brilliance engineered

Our in-house R&D lab is filled with brilliant engineers always at work improving our products and inventing new ones. They understand that light is more than illumination, it’s what makes a space beautiful, useful, and ultimately, livable.

DMF engineers create products that deliver exceptional performance and aesthetics, while also saving you time and money year after year. That same ethos animates every part of our company, from our tireless customer service to our fast, intelligent distribution.

If you want lighting that’s not just built better, but built smarter, DMF is the lighting partner for you.

Contact

We're here for you

Have questions about a product? Ready to place an order? Get in touch with our knowledgeable team.

T: 800.441.4422
E: info@dmflighting.com

DMF Lighting
1118 East 223rd Street,
Carson, California 90745

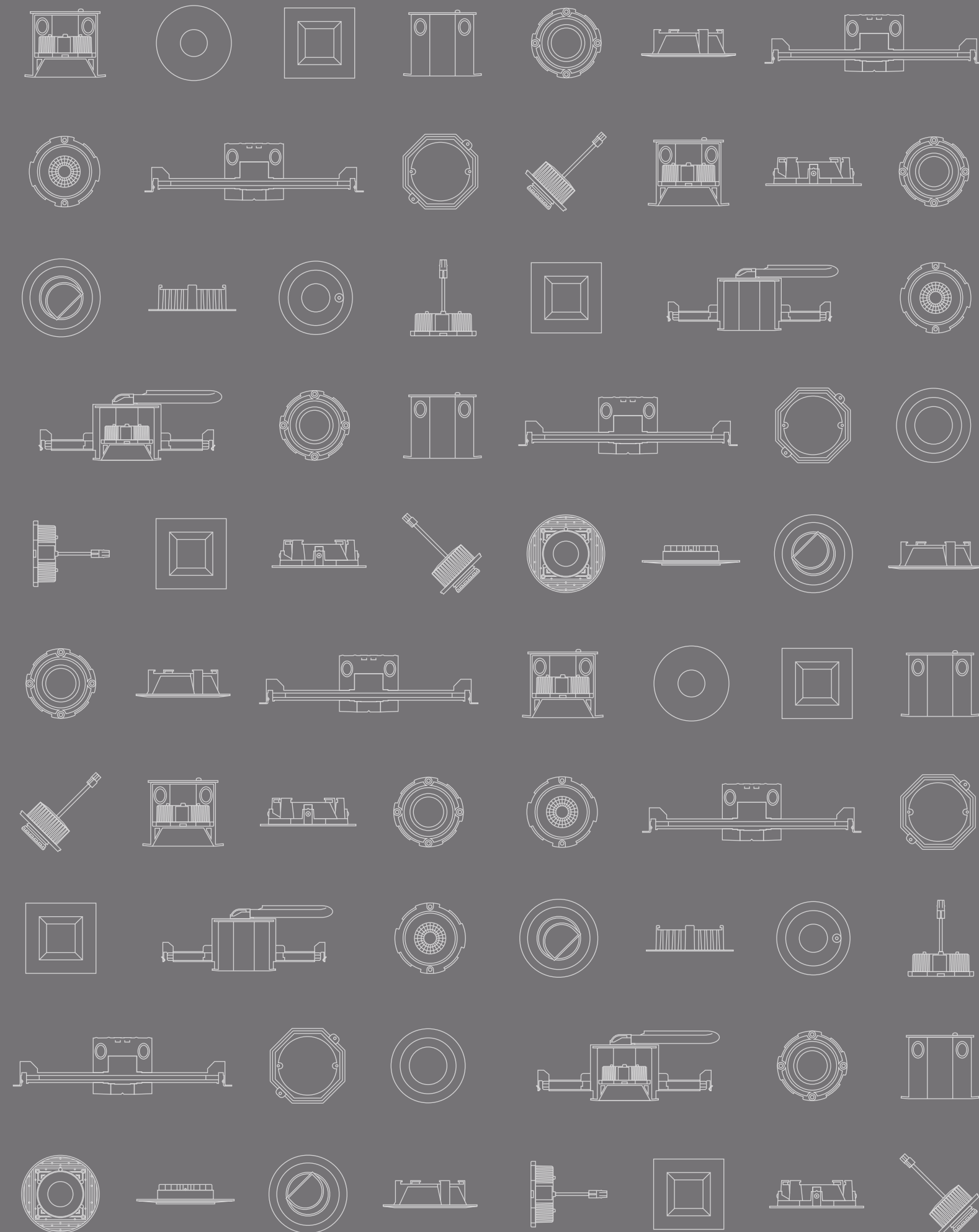
Stay informed

For our full line of products, the latest documentation, news, and events, please visit: dmflighting.com

Keep in touch

Follow DMF Lighting on your favorite social network.

[linkedin.com/dmflighting](https://www.linkedin.com/company/dmflighting)
[instagram.com/dmflighting](https://www.instagram.com/dmflighting)
[facebook.com/dmflighting](https://www.facebook.com/dmflighting)
twitter.com/dmflighting
vimeo.com/dmflighting
[pinterest.com/dmflighting](https://www.pinterest.com/dmflighting)



dmf

dmf Lighting®

1118 East 223rd Street,
Carson, California 90745
800.441.4422
info@dmflighting.com
dmflighting.com

