



PRODUCT SPECIFICATIONS



4" Surface Mount with
4" Frame-in Kit shown

- All-in-one LED luminaire for retrofit, remodel, and new construction
- Slim, drawn aluminum construction
- Easy, tool-less installation for 4", 5" or 6" recessed housings
- 750 lumens of pleasing, low glare light, powered by Lumileds LEDs
- 120V operation with flicker-free TRIAC/ELV dimming down to 10%
- 50,000 hour lifetime (L70)
- 5 year limited warranty



Frame-in Kit

HOUSING: Die-formed steel with powder coat finish (4" frame-in kit, 4" shallow frame-in kit), 20 ga. die-formed aluminum (5" frame-in kit), 22 ga. die-formed aluminum (6" frame-in kit, 6" shallow frame-in kit).

JUNCTION BOX: Galvanized steel. Equipped with (6) 1/2" and (1) 3/4" knockouts with pryout slots to allow straight conduit runs (4" frame-in kit, 4" shallow frame-in kit), equipped with (5) 1/2" and (2) 3/4" knockouts with pryout slots to allow straight conduit runs (5" frame-in kit, 6" frame-in kit, 6" shallow frame-in kit). (4) knockouts for non-metallic sheathed cable installation. Junction box tension spring allows snap-in installation of plate cover for easy access to wiring. Approved for 8 (four-in, four-out) #12 AWG 90 through wire conductors.

MOUNTING: (4) tempered steel spring clips secure housing to ceiling.

CEILING: 1/2" up to 1".

CUTOUT: 4 3/16" (4" frame-in kit, 4" shallow frame-in kit), 5 5/8" (5" frame-in kit), 6 3/8" (6" frame-in kit, 6" shallow frame-in kit).

Luminaire

LED: Tightly binned Lumileds LED.

INPUT POWER: 120V only.

LUMEN OUTPUT: 700 lm (recessed), 750 lm (surface mount).

POWER: 13W.

CRI: 90+.

CCT: 2700K, 3000K, 4000K.

BINNING: Color variation within 3-step MacAdam ellipse (SDCM).

LIFETIME: 50,000 hours at 70% lumen maintenance, based on IESNA LM 80-2008 standard (L70, B50).

CONNECTOR: IDEAL PowerPlug® Luminaire Disconnect, female.

DRIVER: Integral electronic driver for 120V 50/60Hz operation. Driver compatible with TRIAC/ELV dimming.

DIMMING: TRIAC/ELV dimming with flicker-free dimming down to 10% of total lumen output.

TRIM: Slim, drawn-aluminum construction.

LISTINGS: IC rated. cULus Listed. ENERGY STAR® qualified. Title 24 compliant. ASTM E283 certified Air Tight. UL Listed for Wet Location. CEC listed.

WARRANTY: 5 year limited warranty.

Installation

HOUSINGS: Compatible with 4" frame-in kits (4" surface mount, 4" recessed); 4", 5" and 6" frame-in kits (6" surface mount*); 6" frame-in kits (6" recessed).

*6" surface mount requires tension clips for 4" frame-in kit compatibility

Product Code:	Type:	
Project:	Contact:	Date:



DRD1

Surface Mount or Recessed LED Downlight

General Remodel
4", 5", 6" Aperture

PRODUCT SELECTION GUIDE

FRAME-IN KIT

Product Code Example: **DRDHRIC4**

PRODUCT CODE		APPLICATION		IC/NON-IC		APERTURE	
DRDH	Housing	R	Remodel	IC	Insulation Contact	4	4" Aperture
						4S	4" Aperture, Shallow
						5	5" Aperture
						6	6" Aperture
						6S	6" Aperture, Shallow

LUMINAIRE

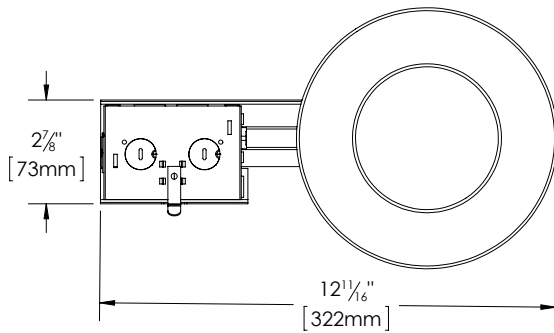
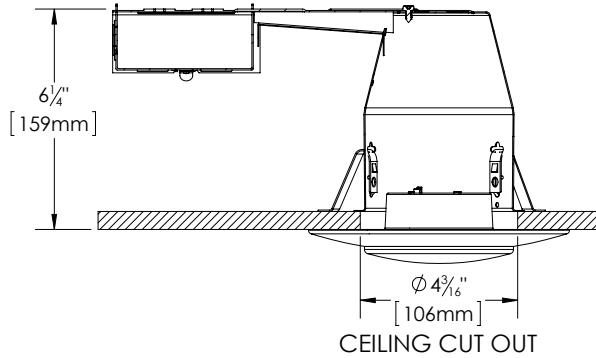
Product Code Example: **DRD1S427**

PRODUCT CODE		PROFILE		CCT	
DRD1	Luminaire	S4	4" Surface Mount	27	2700K
		S6	6" Surface Mount	30	3000K
		R4	4" Recessed	40	4000K
		R6	6" Recessed		

FRAME-IN KIT DIMENSIONS

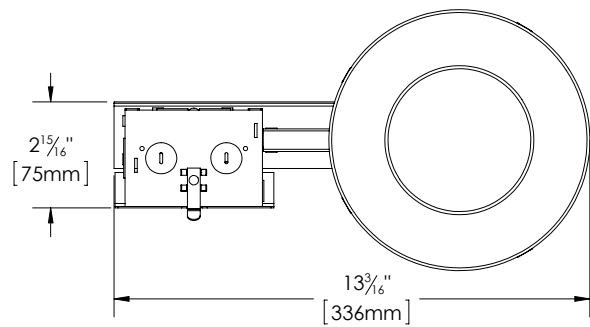
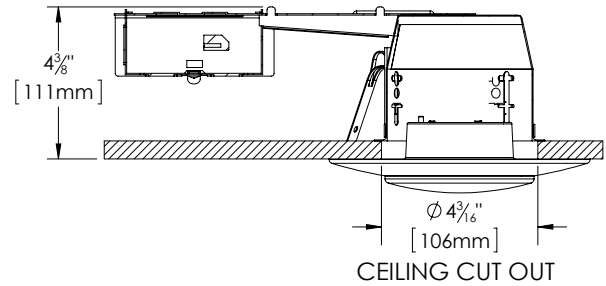
DRDHRIC4

4" Remodel IC Frame-in Kit



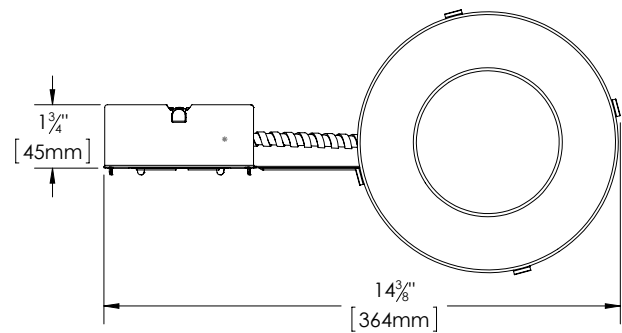
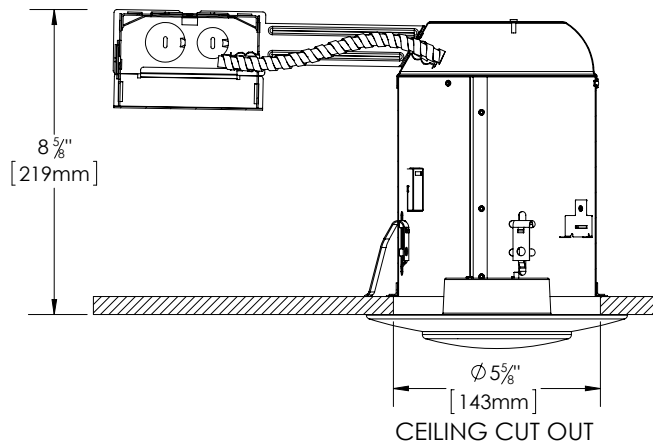
DRDHRIC4S

4" Shallow Remodel IC Frame-in Kit



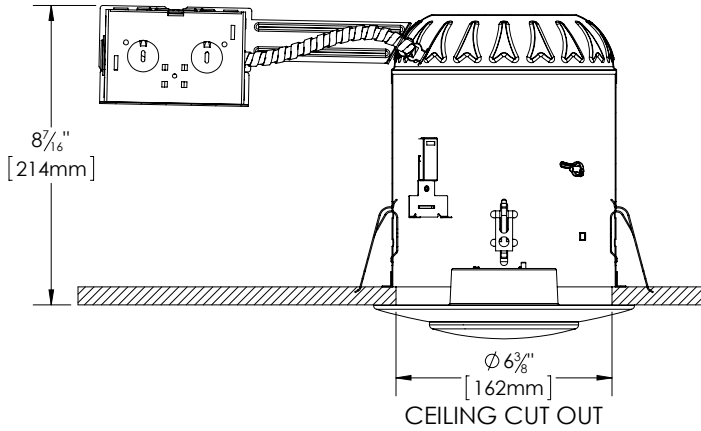
DRDHNIC5

5" New Construction IC Frame-in Kit

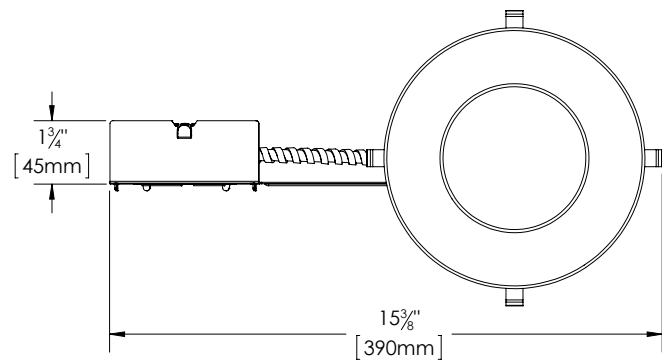
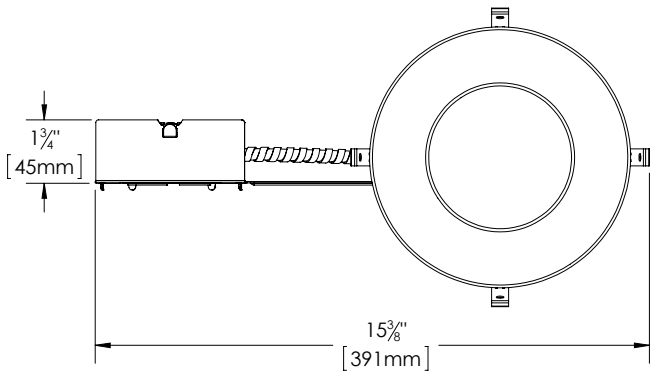
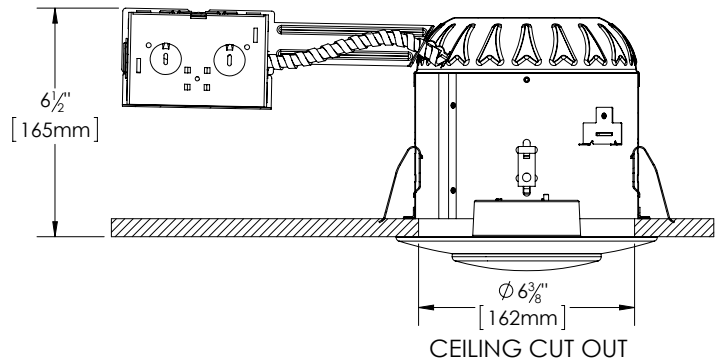


FRAME-IN KIT DIMENSIONS

DRDHRIC6
6" Remodel IC Frame-in Kit



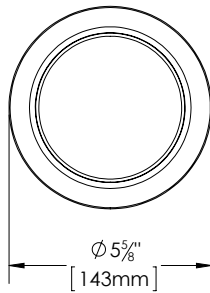
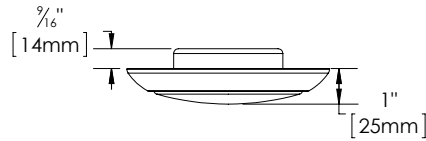
DRDHRIC6S
6" Shallow Remodel IC Frame-in Kit



LUMINAIRE OVERVIEW

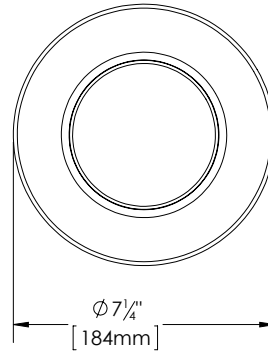
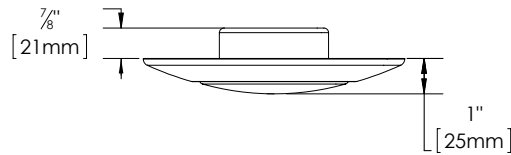
DRD1S4

4" Surface Mount LED



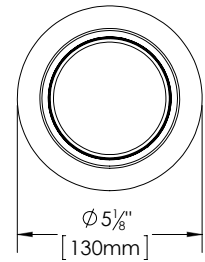
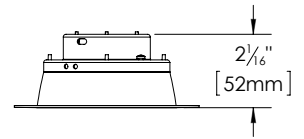
DRD1S6

6" Surface Mount LED



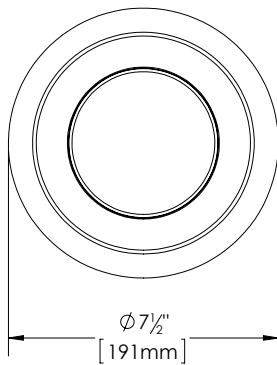
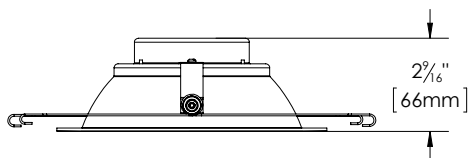
DRD1R4

4" Recessed LED



DRD1R6

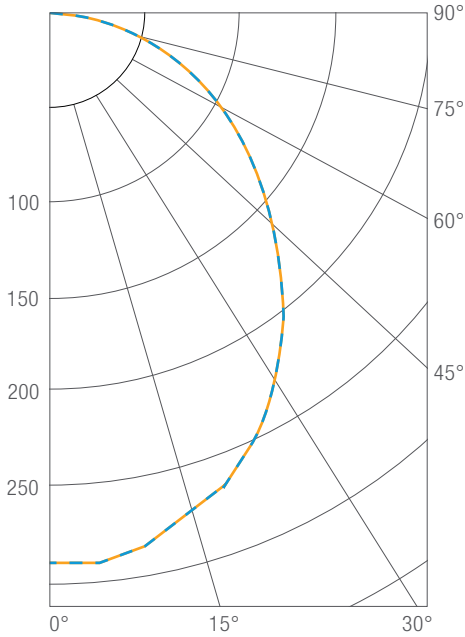
6" Recessed LED



	DRD1S	DRD1R
Total Delivered Lumen Output (lm)	750	700
Total Rated Power (W)	13.0	13.0
Efficacy (lm/W)	58	54
Color Rendering Index	90+	
CCT Options	2700K, 3000K, 4000K	
Optics	Very Wide Flood (100°)	Wide Flood (70°)
Binning	3-step SDCM	
Lifetime (L70)	50,000 hours	
Max Ambient Operating Temperature	40°C	
Input Voltage (V)	120V, 50/60Hz	
Input Current at 120V (Max)	0.11A	
Power Factor	>0.9	
Total Harmonic Distortion	<13%	
Dimming	100% - 10%	

PHOTOMETRICS

Luminaire: **DRD1Sx30** (DRD1 Surface Mount Luminaire, 750 lm, 90 CRI, 3000K)



cd — C0 - C180 — C90 - C270 755 lm

Luminous Intensity

Gamma	C 0°
0.0°	290
5.0°	291
10.0°	286
15.0°	276
20.0°	265
25.0°	251
30.0°	232
35.0°	213
40.0°	192
45.0°	169
50.0°	148
55.0°	127
60.0°	106
65.0°	86
70.0°	68
75.0°	50
80.0°	30
85.0°	12
90.0°	0

Values in candela

Zonal Lumen Summary

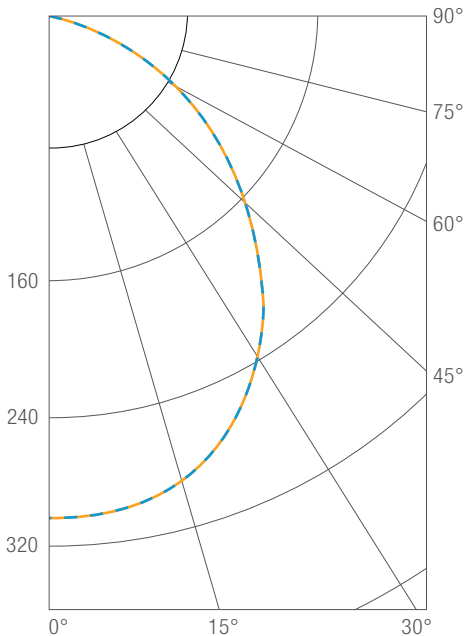
LED Module	Flux (lm)	Power (W)	Downlight Spacing (ft)	Average Illuminance (fcd)	Max/Min	LPD (W/sq ft)
DRD1S430 DRD1S630	755	13.0	4 x 4	47	1.44	0.79
			6 x 6	23	1.20	0.42
			8 x 8	12	1.40	0.20

Calculation Area: 50' (L) x 40' (W) x 10' (H)
LLF 1.0, 80/50/20 Reflectance, 2.5' (H) Workplane
Spacing Criteria: 1.22

Zonal Lumen Summary

Zone	Lumens	Luminaire %
0-30	221	29
0-40	354	47
0-60	600	80
0-90	755	100
0-180	755	100

Luminaire: **DRD1R430** (DRD1 4" Recessed Luminaire, 700 lm, 90 CRI, 3000K)



cd — C0 - C180 — C90 - C270 710 lm

Luminous Intensity

Gamma	C 0°
0.0°	303
5.0°	303
10.0°	300
15.0°	293
20.0°	283
25.0°	268
30.0°	249
35.0°	226
40.0°	200
45.0°	171
50.0°	142
55.0°	112
60.0°	85
65.0°	62
70.0°	42
75.0°	27
80.0°	16
85.0°	10
90.0°	3

Values in candela

Zonal Lumen Summary

LED Module	Flux (lm)	Power (W)	Downlight Spacing (ft)	Average Illuminance (fcd)	Max/Min	LPD (W/sq ft)
DRD1R430	755	13.0	4 x 4	42	1.43	0.78
			6 x 6	21	1.15	0.41
			8 x 8	11	1.35	0.19

Calculation Area: 50' (L) x 40' (W) x 10' (H)
LLF 1.0, 80/50/20 Reflectance, 2.5' (H) Workplane
Spacing Criteria: 1.22

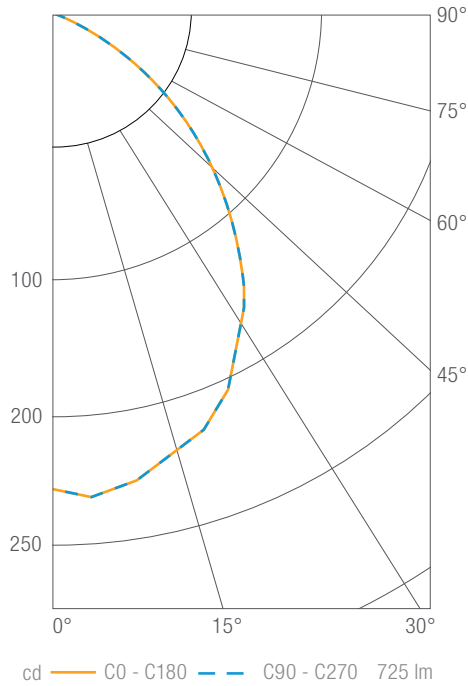
Zonal Lumen Summary

Zone	Lumens	Luminaire %
0-30	235	33
0-40	376	53
0-60	608	86
0-90	710	100
0-180	710	100



PHOTOMETRICS

Luminaire: **DRD1R630** (DRD1 6" Recessed Luminaire, 700 lm, 90 CRI, 3000K)



Luminous Intensity

Gamma	C 0°
0.0°	357
5.0°	363
10.0°	356
15.0°	344
20.0°	332
25.0°	310
30.0°	281
35.0°	251
40.0°	216
45.0°	176
50.0°	137
55.0°	102
60.0°	70
65.0°	46
70.0°	28
75.0°	15
80.0°	4
85.0°	1
90.0°	0

Values in candela

Zonal Lumen Summary

LED Module	Flux (lm)	Power (W)	Downlight Spacing (ft)	Average Illuminance (fcd)	Max/Min	LPD (W/sq ft)
DRD1R630	755	13.0	4 x 4	48	1.37	0.79
			6 x 6	23	1.14	0.42
			8 x 8	12	1.27	0.20

Calculation Area: 50' (L) x 40' (W) x 10' (H)
LLF 1.0, 80/50/20 Reflectance, 2.5' (H) Workplane
Spacing Criteria: 1.22

Zonal Lumen Summary

Zone	Lumens	Luminaire %
0-30	274	38
0-40	430	59
0-60	659	91
0-90	725	100
0-180	725	100



DIMMER COMPATIBILITY

Recommended Phase-control Dimmers (Dims down to 10% nominal measured light output)

Brand	Series	Model Number	Max Load
Control 4	Control 4	C4-APD120	9
Cooper	Decorator	DLC03P, DAL06P	22
Leviton	Decora Sureslide	6615	23
	Vizia	VPE04-ILZ	29
	Vizia	VPE06-ILZ	44
Lutron	Ariadni	AYLV-600P, AYLV-603P	11
	Diva	DVELV-300P, DVELV-303P, DVSCELV-300P, DVSCELV-303P	23
	Maestro	MAELV-600, MAELV-600-S, MSCELV-600M	34
	Maestro Wireless	MRF2-6ND-120, MRF2-6ELV-120	11
	Radio RA2	RRD-6NA	34
	Skylark	S-600	11
	Skylark	S-1000	18
	Skylark	SELV-300	11
Phillips	Sunrise	SLV-600P, SLV-603P	11
		SR400RPC120	31

¹ Dimmer compatibility reflects performance compatibility only. Please reference your local codes for application.