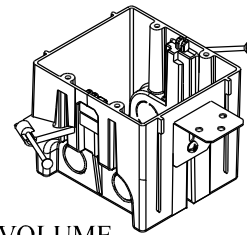
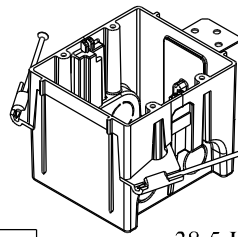




Arlington Industries, Inc.

1 Stauffer Ind. Park - Scranton, Pa. 18517
800-233-4717 570-562-0646
www.aifittings.com - E-MAIL : sales @ aifittings.com
Manufacturers of Quality Electrical Products

FEN102 NAIL-ON GANGABLE BOX



38.5 IN³ VOLUME

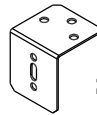
FEN102 + FE102E: 38.5 IN³ VOLUME
FE102C (SOLD SEPERATELY) ADDS
17.5 IN³ VOLUME PER GANG

Contents:

- (1) FEN102 - Nailer Section
- (1) FE102 - End Section
- (1) Steel Brace
- (1) #8 x 1/2" Long Screw
- (2) NM94 Cable Connectors



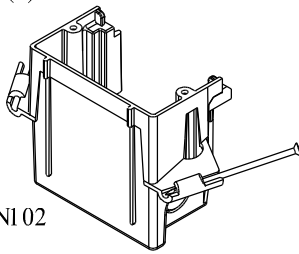
NM94 Cable Connector



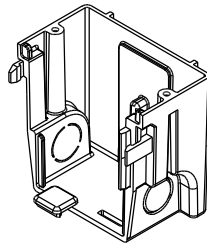
Steel Brace



#8 x 1/2" Screw



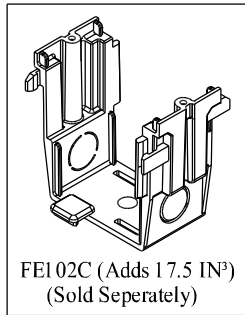
FEN102



FE102E

EXAMPLE:

3-GANG	56.0 IN ³ VOL.
4-GANG	73.5 IN ³ VOL.
5-GANG	91.0 IN ³ VOL.
6-GANG	108.5 IN ³ VOL.
7-GANG	126.0 IN ³ VOL.
8-GANG	143.5 IN ³ VOL.

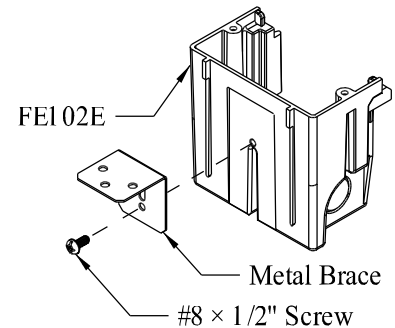
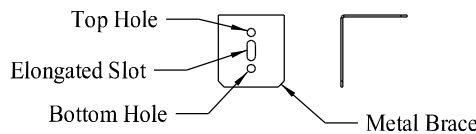


FE102C (Adds 17.5 IN³)
(Sold Seperately)

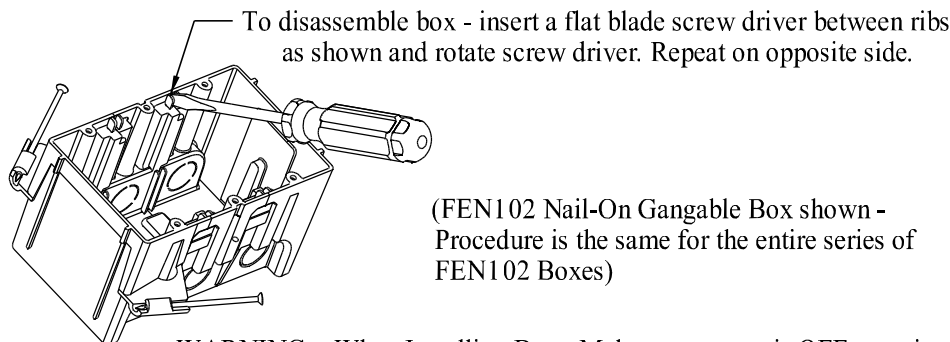
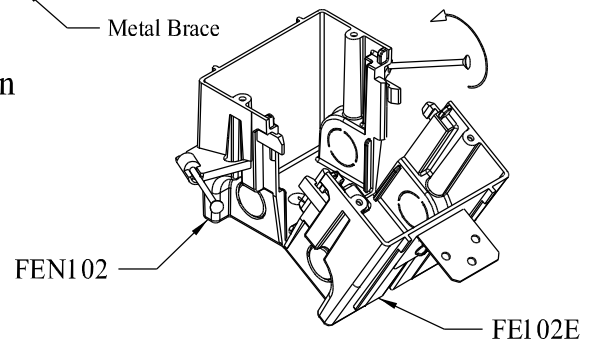
If you have any questions or if parts are missing Please call our Customer Service Department at 1-800-233-4717. Do not call or return this product to your local store or distributor.

Assembly Instructions:

1. Determine the amount of reveal required for application and attach the Metal Brace to FE102E with #8 x 1/2" Screw provided ;
 - * For 1/2" Reveal use the bottom hole on Metal Brace.
 - * For 1-1/4" Reveal use the top Hole in Metal Brace.
 - * For other applications use the center elongated slot in the Metal Brace and adjust as needed.



2. Attach FEN102 to FE102E by tilting each piece as shown and by inserting the tabs into the slots in bottom of each piece. Then rotate and snap the sections together along the sides of each piece.
3. If necessary, use same assembly method to attach FE102C center sections (sold seperately) to create 3-10 Gang Installations.



WARNING : When Installing Box, Make sure power is OFF at main panel box before installing.

NOTE: All Wiring Must be According to NEC, State and Local Codes.

The manufacturer and distributor warrant this product for material and workmanship only, and shall not be liable for any special incident or consequential damages or for damages or loss caused by improper use or installation.