

DESCRIPTION

The Halo LA56 LED Adjustable Downlight series are adjustable LED Modules for 5" or 6" aperture recessed downlights. The LA56 gimbals feature adjustment of 35-degree tilt and up to 360-degree rotation. The lens provides uniform illumination and wet location listing. Precision construction makes any housing AIR-TITE for added savings and code compliance.

Catalog #		Type
Project		
Comments		Date
Prepared by		

SPECIFICATION FEATURES

Module - Trim

- Module construction includes LED Array, heat sink, reflector, lens, baffle and trim ring.
- Heat sink designed to conduct heat away from the LED Array, keeping the junction temperatures below specified maximums, even when installed in insulated ceiling environments

Lens

- Regressed lens
- Impact-resistant polycarbonate
- Diffusing for even illumination

LED Array

- Mid power LED array provides a uniform source with high efficiency and no pixilation.
- 90 CRI minimum, R9 greater than 50
- Color accuracy within 3 SDCM provide color accuracy and uniformity.
- Color Temperatures (CCT) available in 2700K, 3000K, 3500K, 4000K, or 5000K

Optical Assembly

- Regressed lens
- Impact-resistant polycarbonate
- Diffuse for even illumination

Driver

- Integral 120V 60 Hz constant current driver provides noise free operation
- Continuous, flicker-free dimming from 100% to 10%.
- Inline electrical quick connect and E26 adapter (provided) provides mains connections
- Consult instruction sheets for more information

Retention

- Torsion springs are pre-installed and adjust to fit 5" or 6" compatible housings

Gaskets

- Closed cell gaskets achieve restrictive airflow requirements without additional caulking

Compliance

- UL Certified
- Wet and Damp location listed.
- Airtight certified per ASTM-E283
- Suitable for use in clothes closets when installed in accordance with the NEC 410.16 spacing requirements
- EMI/RFI emissions per FCC 47CFR Part 15 consumer limits
- Contains no mercury or lead and RoHS compliant
- Photometric testing in accordance with IES LM-79-08
- Lumen maintenance projections in accordance with IES LM-80-08 and TM-21-11
- Can be used for State of California Title 24 high efficacy luminaire compliance. Complies with Title 24 JA8-2016-E.
- Can be used International Energy Conservation Code (IECC) and Washington State Energy Code high efficiency luminaire compliance.
- ENERGY STAR® listed, reference database for current listings

Warranty

- Five year limited warranty, consult website for details. www.cooperlighting.com



LA56

5 and 6-inch All-Purpose LED Adjustable Downlight

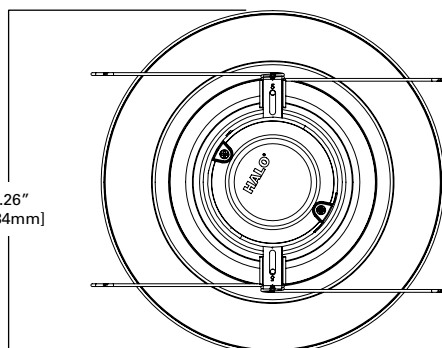
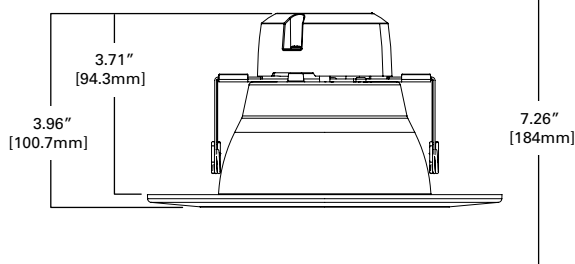
600 Series

For use in insulated ceiling and non-insulated ceiling rated housings

High-efficiency LED with integral driver - dimmable



Refer to ENERGY STAR® Certified Products List. Can be used to comply with California Title 24 High Efficacy requirements. Certified to California Appliance Efficiency Database under JA8. *5000K is not covered under T24.



ENERGY DATA

Lumens	600 Series
Input Voltage	120V
Input Current	74 (mA)
Input Power	8.6 (W)
Inrush (A)	1.1
THD: ≤ 20%	
PF: ≥ 0.90	
T Ambient -30 - +40°C	
Sound Rating ≤ 22dba	

ORDERING INFORMATION

SAMPLE NUMBER: LA56069301EWH

A complete luminaire consists of a housing and LED module, order separately

Models	Lumens	CRI / CCT	Driver	Finish
LA56 = 5-Inch/6-Inch LED Adjustable Gimbal	06 =600 lumen (nominal)	927 =90 CRI, 2700K 930 =90 CRI, 3000K 935 =90 CRI, 3500K 940 =90 CRI, 4000K 950 =90 CRI, 5000K	1E = 120V 60Hz leading or trailing edge phase cut 10% dimming	WH = matte white baffle

Housings

Halo LED 5-inch

H550ICAT= 5" LED, Insulated Ceiling, Air-Tite, New Construction Housing
H550RICAT= 5" LED, Insulated Ceiling, Air-Tite, Remodel Housing
E550ICAT= 5" LED, Insulated Ceiling, Air-Tite, New Construction Housing
E550RICAT= 5" LED, Insulated Ceiling, Air-Tite, Remodel Housing

Halo LED 6-inch

H750ICAT= 6" LED, Insulated Ceiling, Air-Tite, New Construction Housing
H750RICAT= 6" LED, Insulated Ceiling, Air-Tite, Remodel Housing
H750T= 6" LED, Non-IC, Air-Tite, New Construction Housing
H750TCP= 6" LED, Non-IC, New Construction/Remodel Chicago Plenum Housing
H2750ICAT= 6" LED, Shallow, Insulated Ceiling, Air-Tite, New Construction (use with 691X, 694X, 696X trims only)
H2750RICAT= 6" LED, Shallow, Insulated Ceiling, Air-Tite, Remodel (use with 691X, 694X, 696X trims only)
E750ICAT= 6" LED, Insulated Ceiling, Air-Tite, New Construction Housing
E750RICAT= 6" LED, Insulated Ceiling, Air-Tite, Remodel Housing

Halo LED retrofit

ML7E26RFK= 6" Retrofit Enclosure, Non-IC, E26 Screw base Interface
ML7BXFK= 6" Retrofit Enclosure, Non-IC, BX Whip

Halo Shallow Housings 5-inch

H25ICAT= 5" Shallow, Insulated Ceiling, Air-Tite New Construction
H25RICAT= 5" Shallow, Insulated Ceiling, Air-Tite Remodel
H25ICATNB= 5" Shallow, Insulated Ceiling, Air-Tite New Construction, No Socket Bracket

Halo Shallow Housings 6-inch

H27ICAT= 6" Shallow, Insulated Ceiling, Air-Tite New Construction
H27RICAT= 6" Shallow, Insulated Ceiling, Air-Tite Remodel Housing
H27T= 6" Shallow, Non-IC, New Construction Housing
H27RT= 6" Shallow, Non-IC, Remodel Housing
E27ICAT= 6" Shallow, Insulated Ceiling, Air-Tite New Construction
E27RICAT= 6" Shallow, Insulated Ceiling, Air-Tite Remodel Housing
E27TAT= 6" Shallow, Non-IC, New Construction Housing
E27RTAT= 6" Shallow, Non-IC, Remodel Housing

Halo Standard Housings 5-inch

H5ICAT= 5" Insulated Ceiling, Air-Tite New Construction Housing
H5RICAT= 5" Insulated Ceiling, Air-Tite Remodel Housing
H5ICATNB= 5" Insulated Ceiling, Air-Tite New Construction Housing, No Socket Bracket
H5T= 5" Non-IC, New Construction Housing
H5RT= 5" Non-IC, Remodel Housing
H5TNB= 5" Non-IC, New Construction Housing, No Socket Bracket
E5ICAT= 5" Insulated Ceiling, Air-Tite New Construction Housing
E5RICAT= 5" Insulated Ceiling, Air-Tite Remodel Housing
E5ICATNB= 5" Insulated Ceiling, Air-Tite New Construction Housing, No Socket Bracket
E5TAT= 5" Non-IC, New Construction Housing
E5RTAT= 5" Non-IC, Remodel Housing
E5TATNB= 5" Non-IC, New Construction Housing, No Socket Bracket

Halo Standard Housings 6-inch

H7ICAT= 6" Insulated Ceiling, Air-Tite New Construction Housing
H7RICAT= 6" Insulated Ceiling, Air-Tite Remodel Housing
H7ICT= 6" Insulated Ceiling, New Construction Housing
H7ICTNB= 6" Insulated Ceiling, Remodel Housing
H7ICATNB= 6" Insulated Ceiling, Air-Tite New Construction Housing, No Socket Bracket
H7ICATNB= 6" Insulated Ceiling, New Construction Housing, No Socket Bracket
H7T= 6" Non-IC, New Construction Housing
H7RT= 6" Non-IC, Remodel Housing
H7TNB= 6" Non-IC, New Construction Housing, No Socket Bracket
H7TCP= 6" Non-IC, Chicago Plenum, New Construction/Remodel Housing
H7UICAT= 6" Insulated Ceiling, Universal, Air-Tite, New Construction Housing
E7ICAT= 6" Insulated Ceiling, Air-Tite Remodel Housing
E7ICATNB= 6" Insulated Ceiling, Air-Tite New Construction Housing, No Socket Bracket
E7TAT= 6" Non-IC, New Construction Housing
E7RTAT= 6" Non-IC, Remodel Housing
E7TATNB= 6" Non-IC, New Construction Housing, No Socket Bracket

LA56 Series LED Retrofit is UL Classified for retrofit in the following 5"/6" recessed housings:

The LA56 Series LED light module - trim combination is UL Certified for use with any 5"/6" diameter recessed housing constructed of steel or aluminum with an internal volume that exceeds 107.9 in³ in addition to those noted above.

Product Specifications

PRODUCT SPECIFICATIONS	
Lumens	614
Watts	8.6
Lumens Per Watt (Efficacy)	71.4
Color Accuracy (CRI)	91
Light Color (CCT)	2700K
Correlated Color Temperature (CCT)	
warm white soft white bright white	

PRODUCT SPECIFICATIONS	
Lumens	637
Watts	8.7
Lumens Per Watt (Efficacy)	73.3
Color Accuracy (CRI)	92
Light Color (CCT)	3000K
Correlated Color Temperature (CCT)	
warm white soft white bright white	

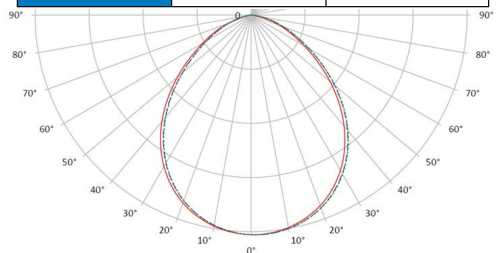
PRODUCT SPECIFICATIONS	
Lumens	640
Watts	8.6
Lumens Per Watt (Efficacy)	74.4
Color Accuracy (CRI)	92
Light Color (CCT)	3500K
Correlated Color Temperature (CCT)	
warm white soft white bright white	

PRODUCT SPECIFICATIONS	
Lumens	640
Watts	8.6
Lumens Per Watt (Efficacy)	74.4
Color Accuracy (CRI)	92
Light Color (CCT)	4000K
Correlated Color Temperature (CCT)	
warm white soft white bright white	

PRODUCT SPECIFICATIONS	
Lumens	630
Watts	8.6
Lumens Per Watt (Efficacy)	73.3
Color Accuracy (CRI)	92
Light Color (CCT)	5000K
Correlated Color Temperature (CCT)	
warm white soft white bright white	

Photometric Data*

LA56069301EWH		
Luminaire lumens		637
Input watts		8.7
LER (LPW)		73.2
Spacing Criteria	0-180	1.22
	90-270	1.25
	Diagonal	1.28
Beam angle (degrees)		95.4
Field angle (degrees)		146.4
Zonal lumen	Lumens	% Lumens
0-30	215	33.8
0-40	344	54
0-60	555	87.1
0-90	637	100



* Tested in accordance with IES LM63. Field results may vary.