

Project		Catalog #		Type	
Prepared by		Notes		Date	



# HALO

## LT4 Selectable LED Trim

4" LED Trim baffle is ideal for energy-saving retrofit or new construction. Easily adjust color temperature with SeleCCTable technology.

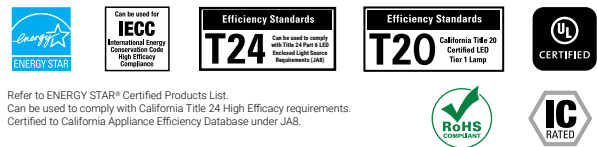
### Typical Applications

Residential

### Interactive Menu

- Order Information [page 2](#)
- Product Specifications [page 3](#)
- Energy Data [page 3](#)
- Photometric Data [page 4](#)
- Product Warranty
- Dimming Guide

### Product Certification



Refer to ENERGY STAR® Certified Products List.  
Can be used to comply with California Title 24 High Efficacy requirements.  
Certified to California Appliance Efficiency Database under JAB.

### Product Features



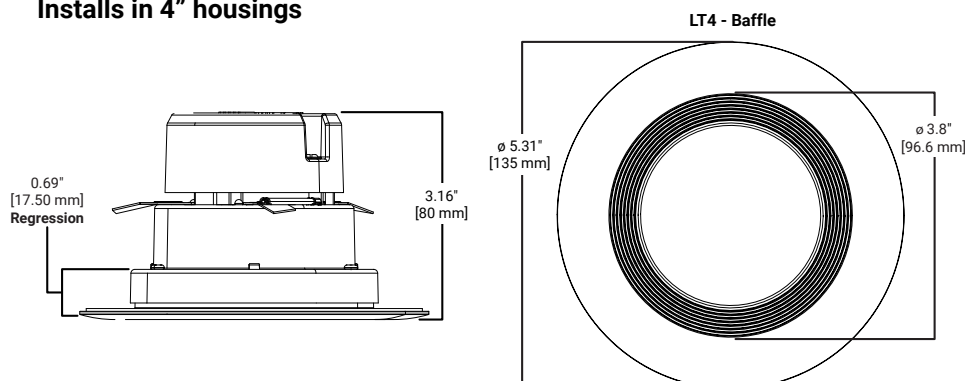
### Top Product Features

- Field selectable CCT: 2700, 3000, 3500, 4000, and 5000K, 90 CRI minimum
- Baffle trim
- Dimmable down to 10%
- Retrofits into existing 4" housings - new construction and remodel
- Use with Halo 4" LED housings - new construction and remodel
- Wet location listed and plastic trim "Dead Front"

### Dimensional and Mounting Details

Package includes: E26 Screw Base Adapter

#### Installs in 4" housings



## Order Information

SAMPLE ORDER NUMBER: **LT4069FS1EWHR**

A complete luminaire consists of a housing and a LED integrated trim, order separately.

	Module	Lumens	CRI/CCT	Driver	Finish	Packaging
<b>LT4069FS1EWHR</b>	4 inch LED retrofit module with baffle	600 lumen (nominal)	90CRI min., 2700K, 3000K, 3500K, 4000K, 5000K selectable CCT	120V 60Hz, LE & TE phase cut 10% dimming	Matte White	Recyclable, Grey color unit carton
<b>LT4099FS1EWHR</b>	4 inch LED retrofit module with baffle	900 lumen (nominal)	90CRI min., 2700K, 3000K, 3500K, 4000K, 5000K selectable CCT	120V 60Hz, LE & TE phase cut 10% dimming	Matte White	Recyclable, Grey color unit carton

### Accessories

**HE26LED** = Replacement medium base (E26) screw base adapter (one included with unit)

## Housing – Compatibility

The LT4 Series LED light module - trim combination is UL/cUL Listed or UL Classified for use with any 4" diameter recessed housing constructed of steel or aluminum with an internal volume that exceeds 62.3 in3 in addition to those noted below.

### Halo Ultra-shallow LED Housings

**H245ICAT** = 4" IC, airtight ultra-shallow new construction housing, LED, 120 - 277V  
**H245RICAT** = 4" IC, airtight ultra-shallow remodeler housing, LED, 120 - 277V

### Halo LED Housings

**H995ICAT** = 4" IC, airtight shallow new construction housing, LED, 120 - 277V  
**H995RICAT** = 4" IC, airtight shallow remodeler housing, LED, 120 - 277V  
**H450FR2ICATD010** = 4" fire safe new construction housing for phase-cut and 0-10V LED retrofit modules, 120-277V

### Halo Housings

**H99TAT** = 4" non-IC, airtight shallow new construction housing, E26, 120V  
**H99RTAT** = 4" non-IC, airtight shallow remodeler housing, E26, 120V  
**H99ICAT** = 4" IC, airtight shallow new construction housing, E26, 120V  
**E4TATSB** = 4" non-IC, airtight shallow new construction housing, adjustable socket bracket, E26, 120V  
**E4RTATSB** = 4" non-IC, airtight shallow remodeler housing, adjustable socket bracket, E26, 120V  
**E4ICATSB** = 4" non-IC, airtight shallow new construction housing, adjustable socket bracket, E26, 120V

## Specification Features

### Module

- LED module consists of LED array, optical assembly, driver and self-flanged trim
- Baffle Trim
- Achieving L70 at 50,000 hours in IC and non-IC applications

### Gaskets

- Closed cell gasket achieves restrictive airflow requirements without additional caulking

### LED Array

- A plurality of low power LEDs provide a uniform source with high efficiency and long life
- Available in 90 CRI minimum, R9 greater than 50 and color accuracy within 4 SDCM provide color accuracy and uniformity
- Available in 5-color selectable CCT: 2700K, 3000K, 3500K, 4000K, 5000K

### Optical Assembly

- Optical assembly provides wide distribution useful for general and task lighting
- Diffuse injection molded lens with contoured profile provides uniformity and a familiar lamp like appearance
- Meets ENERGY STAR® color angular uniformity requirements

### Driver

- Integral 120V 60 Hz constant current driver provides high efficiency operation
- Continuous, flicker-free dimming from 100% to 10% with select leading or trailing edge 120V phase cut dimmers – consult dimming guide for more information
- Consult dimmer manufacturer for compatibility and conditions of use
- Inline electrical quick connect and E26 adapter (provided) provides mains power connection
- A separate ground wire and mounting hardware insures proper ground connection to housing

### Retention

- Heat treated friction blades hold module securely to the housing
- Push-n-Twist feature pulls housing tight to ceiling by rotating clockwise
- Friction blades swing out of position by rotating counter-clockwise from below the ceiling for service or replacement

### Trim

- One-piece smooth splay or step baffle and self-flanged trim ring provides lens regression and reduces light leaks
- Injection molded plastic construction is impact resistant and non-corrosive
- Non-conductive construction meets most local code 'dead front' requirements

### Compliance

- UL Certified for US and Canada, type IC suitable for direct contact with air permeable insulation
- UL Certified for US and Canada for use with Halo housings, classified for use with other's housings, see instruction sheet for conditions of acceptability
- Wet location listed
- Air-tite per ASTM-E283
- Suitable for use in clothes closets when installed in accordance with the NEC 410.16 spacing requirements
- EMI/RFI emissions per FCC 47CFR Part 15 consumer limits
- Contains no mercury or lead and RoHS compliant
- Photometric testing in accordance with IES LM79-08
- Lumen maintenance projections in accordance with IES LM-80-08 and TM-21-11
- Can be used for State of California Title 24 high efficacy luminaire compliance, reference the California Energy Commission Title 20 Appliance Efficiency Database for current listings
- ENERGY STAR® listed, reference database for current listings
- Meets State of California voluntary lamp standards

### Warranty

- Five year limited warranty, consult website for details. [www.cooperlighting.com/warranty](http://www.cooperlighting.com/warranty)

## Energy Data

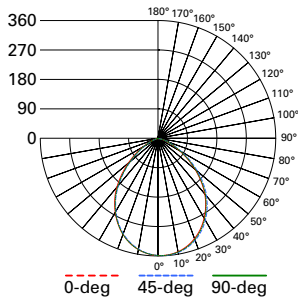
### LT4 - 650 Lumens

Lumens	650
Input Voltage	120V
Input current	0.057A
Input Power	6.6W
Efficiency	82.00%
Inrush(A)	1.8
THD	18%
PF	0.95
T Ambient	-30 - +40°C
Sound Rating	18.8db@30cm

### LT4 - 900 Lumens

Lumens	900
Input Voltage	120V
Input current	0.08A
Input Power	9.4W
Efficiency	83.00%
Inrush(A)	1.68
THD	16%
PF	0.97
T Ambient	-30 - +40°C
Sound Rating	19.8db@30cm

## Photometric Data



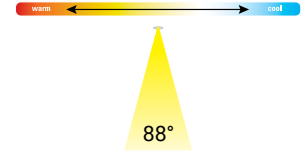
### LT4069FS1EWHR-3000K

Spacing criterion:  
 (0-180) 1.18 | (90-270) 1.2 |  
 (Diagonal) 1.22  
 Beam Angle: 88.1°  
 Field Angle: 88.6°  
 Lumens: 706  
 Input Watts: 6.4 W  
 Efficacy: 110.3 LPW  
 UGR: 23.1  
 Test Report: P600895

Zonal Lumen	Lumens	% Lumens
0-30	266.4	37.7
0-40	418.3	59.2
0-60	641.3	90.8
0-90	705.9	99.9

TM-30-15	Rf = 93
	Rg = 102
CRI/CIE	Ra = 97
	R9 = 85.2

CCT - Range of 2700K- 5000K

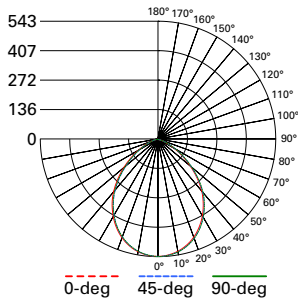


LT4 5CCT				
CCT	Watts	lumens	LPW	CRI
2700K	6.7	645	96.3	93
3000K	6.7	680	101.5	93
3500K	6.8	705	103.7	93
4000K	6.9	705	102.2	93
5000K	6.7	670	100	93

### LT4069FS1EWHR-3000K

PRODUCT SPECIFICATIONS	
Lumens	680
Watts	6.7
Lumens Per Watt (Efficacy)	101.5
Color Accuracy (CRI)	93
Light Color (CCT) Correlated Color Temperature (CCT)	3000K

Color temperature scale from 2700K (warm white) to 6500K (bright white). A yellow arrow points to 3000K.



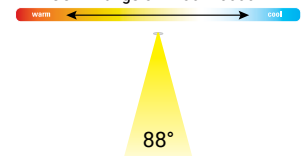
### LT4099FS1EWHR\_3000K

Spacing criterion:  
 (0-180) 1.16 | (90-270) 1.18 |  
 (Diagonal) 1.22  
 Beam Angle: 88.4°  
 Field Angle: 88.5°  
 Lumens: 1066  
 Input Watts: 9.1 W  
 Efficacy: 117 LPW  
 UGR: 23.8  
 Test Report: P600896

Zonal Lumen	Lumens	% Lumens
0-30	402.3	37.7
0-40	631.7	59.3
0-60	968.2	90.8
0-90	1065.1	99.9

TM-30-15	Rf = 92
	Rg = 103
CRI/CIE	Ra = 96.5
	R9 = 84.5

CCT - Range of 2700K- 5000K



LT4 5CCT				
CCT	Watts	lumens	LPW	CRI
2700K	9.6	965	100.5	93
3000K	9.5	1030	108.4	93
3500K	9.3	1065	114.5	93
4000K	9.5	1065	112.1	93
5000K	9.6	1000	104.2	93

### LT4099FS1EWHR\_3000K

PRODUCT SPECIFICATIONS	
Lumens	1030
Watts	9.5
Lumens Per Watt (Efficacy)	108.4
Color Accuracy (CRI)	93
Light Color (CCT) Correlated Color Temperature (CCT)	3000K

Color temperature scale from 2700K (warm white) to 6500K (bright white). A yellow arrow points to 3000K.