



HALO[®]

LT-DM Series
LED Direct Mount

Installs Virtually Anywhere

The LT-DM series installs into a standard hole saw size cutout and is retained securely in place with springs.

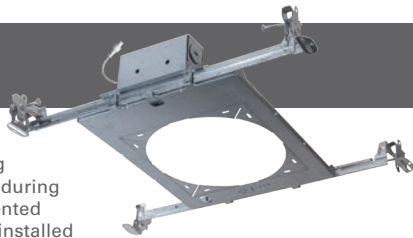
The driver junction box installs through a cutout and can be positioned remotely from the fixture fitting. Mounting holes facilitate attachment to the building structure.



NO HOUSING NEEDED!

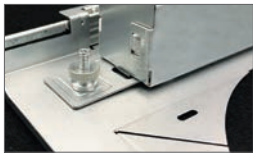


New Construction Mounting Frame



The new construction mounting frame locates the fixture fitting during electrical rough-in. HALO's patented Got Nail!® bar hangers are pre-installed supporting the mounting frame along rails.

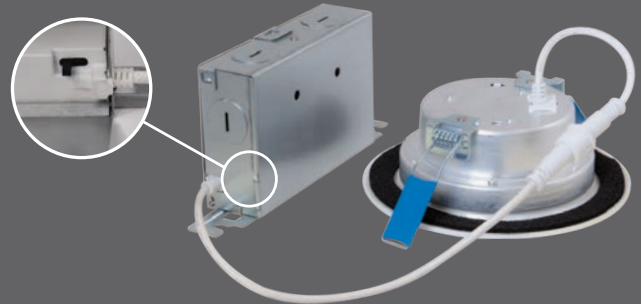
During electrical rough-in, the driver / junction box attaches to the mounting frame with captive fasteners meeting code requirements for attachment to the building structure.

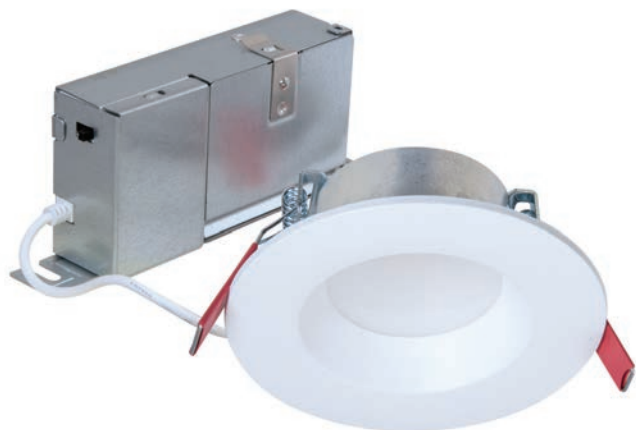


HL4RSMF = 4" round and square mounting frame
HL6RSMF = 6" round and square mounting frame

See page 10 for more info.

The SeleCCTable™ technology puts flexibility at your fingertips. By using the switch located on the driver junction box, the user can choose from a range color temperatures:
2700K/3000K/3500K OR 3000K/4000K/5000K.





- Up to 700 lumens
- 2700K, 3000K, 3500K OR 3000K, 4000K, 5000K CCT field select
- 90 CRI; dimmable down to 10%
- 7.8W, 120V
- L70 @ 35,000 hrs
- HALO matte white finish
- No existing recessed housing or junction box required
- Fixture will not fit into existing housings or junction boxes
- Wet location listed (shower rated) covered ceiling
- Rated for direct contact to air permeable insulation
- AIR-TITE™ certified per ASTM-E283
- Smooth splay and flat lens
- Five-year limited warranty



Refer to ENERGY STAR® Certified Products List. Can be used to comply with California Title 24 High Efficacy requirements. Certified to California Appliance Efficiency Database under JA8.



Energy Data LT3059FS231EWHDMR	
Lumens	500 Series
Input Voltage	120V
Input Current	58 (mA)
Input Power	6.6 (W)
Efficiency	87.9 (LPW)
Inrush (A)	1.41 A @ 76 μS
THD: ≤ 20%	
PF: ≥ 0.90	
T Ambient -30 - +40°C	
Sound Rating ≤ 22 dba	

Energy Data LT3059FS351EWHDMR	
Lumens	500 Series
Input Voltage	120V
Input Current	58 (mA)
Input Power	6.8 (W)
Efficiency	82.4 (LPW)
Inrush (A)	1.41 A @ 76 μS
THD: ≤ 20%	
PF: ≥ 0.90	
T Ambient -30 - +40°C	
Sound Rating ≤ 22 dba	

Ordering Information

Module

LT3 = 3-inch LED direct mount module

Lumens

05 = 500 lumens (nominal)

CRI/CCT

9FS23 = 90 CRI min, 2700K, 3000K, 3500K selectable CCT
9FS35 = 90 CRI min, 3000K, 4000K, 5000K selectable CCT

Driver

1E = 120V 60Hz, LE & TE phase cut 10% dimming

Finish

WH = Matte White flange

Mounting

DM = Direct Mount

Packaging

R = Recyclable 4-color unit carton

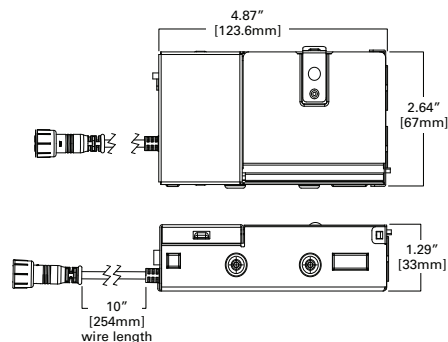
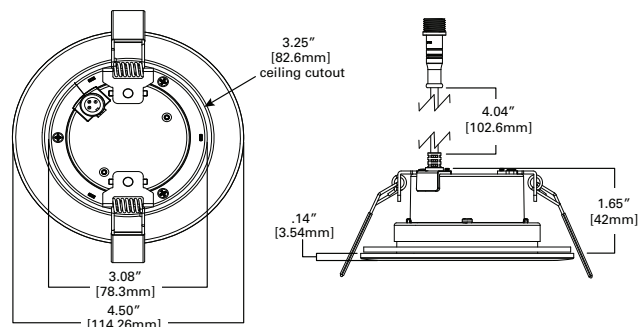
Accessories

[Extension Cable](#) | [seleCCTable Driver/Jbox](#)

HLB06FSEC = 6 ft. extension cable

HLB12FSEC = 12 ft. extension cable

HLB20FSEC = 20 ft. extension cable





- Up to 700 lumens
- 2700K, 3000K, 3500K OR 3000K, 4000K, 5000K CCT field select
- 90 CRI; dimmable down to 10%
- 7.8W, 120V
- L70 @ 35,000 hrs
- HALO matte white finish
- No existing recessed housing or junction box required
- Fixture will not fit into existing housings or junction boxes
- Wet location listed (shower rated) covered ceiling
- Rated for direct contact to air permeable insulation
- AIR-TITE™ certified per ASTM-E283
- Smooth splay and flat lens
- Five-year limited warranty



Refer to ENERGY STAR® Certified Products List. Can be used to comply with California Title 24 High Efficacy requirements. Certified to California Appliance Efficiency Database under JAB8.



Energy Data LT4069FS231EWHDMR	
Lumens	600 Series
Input Voltage	120V
Input Current	72 (mA)
Input Power	7.5 (W)
Efficiency	93.3 (LPW)
Inrush (A)	1.74 A @ 56 μS
THD: ≤ 20%	
PF: ≥ 0.90	
T Ambient -30 - +40°C	
Sound Rating ≤ 22 dba	

Energy Data LT4069FS351EWHDMR	
Lumens	600 Series
Input Voltage	120V
Input Current	72 (mA)
Input Power	7.8 (W)
Efficiency	85.3 (LPW)
Inrush (A)	1.74 A @ 56 μS
THD: ≤ 20%	
PF: ≥ 0.90	
T Ambient -30 - +40°C	
Sound Rating ≤ 22 dba	

Ordering Information

Module

LT4 = 4-inch LED direct mount module

Lumens

06 = 600 lumens (nominal)

CRI/CCT

9FS23 = 90 CRI min, 2700K, 3000K, 3500K selectable CCT
9FS35 = 90 CRI min, 3000K, 4000K, 5000K selectable CCT

Driver

1E = 120V 60Hz, LE & TE phase cut 10% dimming

Finish

WH = Matte White flange

Mounting

DM = Direct Mount

Packaging

R = Recyclable 4-color unit carton

Accessories

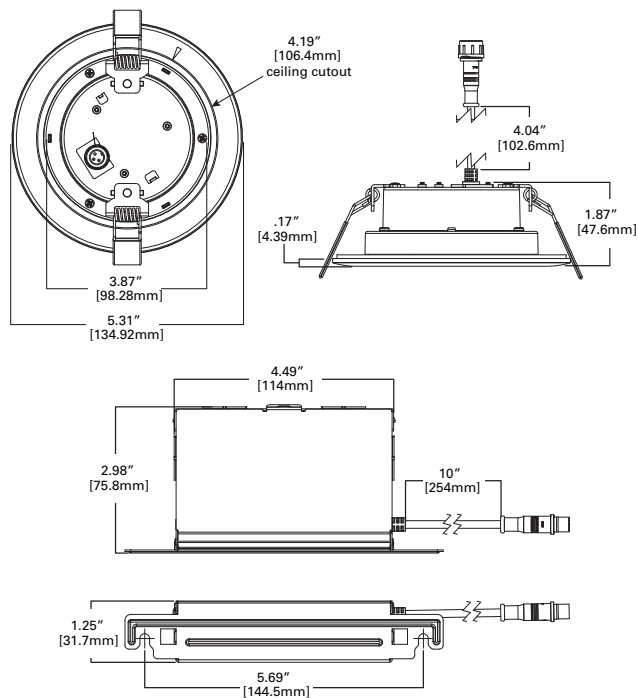
HL4RSMF = 4" round and square mounting frame

Extension Cable | seleCCTable Driver/Jbox

HLB06FSEC = 6 ft. extension cable

HLB12FSEC = 12 ft. extension cable

HLB20FSEC = 20 ft. extension cable





- Up to 805 lumens
- 2700K, 3000K, 3500K OR 3000K, 4000K, 5000K CCT field select
- 90 CRI; dimmable down to 10%
- 8.5W, 120V
- L70 @ 35,000 hrs
- HALO matte white finish
- No existing recessed housing or junction box required
- Fixture will not fit into existing housings or junction boxes
- Wet location listed (shower rated) covered ceiling
- Rated for direct contact to air permeable insulation
- AIR-TITE™ certified per ASTM-E283
- Smooth splay and flat lens
- Five-year limited warranty



Refer to ENERGY STAR® Certified Products List. Can be used to comply with California Title 24 High Efficacy requirements. Certified to California Appliance Efficiency Database under JA8.



Energy Data LT6089FS231EWHDMR	
Lumens	800 Series
Input Voltage	120V
Input Current	74 (mA)
Input Power	8.3 (W)
Efficiency	97.0 (LPW)
Inrush (A)	1.48 A @ 65 μS
THD: ≤ 20%	
PF: ≥ 0.90	
T Ambient -30 - +40°C	
Sound Rating ≤ 22 dba	

Energy Data LT6089FS351EWHDMR	
Lumens	800 Series
Input Voltage	120V
Input Current	74 (mA)
Input Power	8.5 (W)
Efficiency	90.6 (LPW)
Inrush (A)	1.48 A @ 65 μS
THD: ≤ 20%	
PF: ≥ 0.90	
T Ambient -30 - +40°C	
Sound Rating ≤ 22 dba	

Ordering Information

Module

LT6 = 6-inch LED direct mount module

Lumens

08 = 800 lumens (nominal)

CRI/CCT

9FS23 = 90 CRI min, 2700K, 3000K, 3500K selectable CCT
9FS35 = 90 CRI min, 3000K, 4000K, 5000K selectable CCT

Driver

1E = 120V 60Hz, LE & TE phase cut 10% dimming

Finish

WH = Matte White flange

Mounting

DM = Direct Mount

Packaging

R = Recyclable 4-color unit carton

Accessories

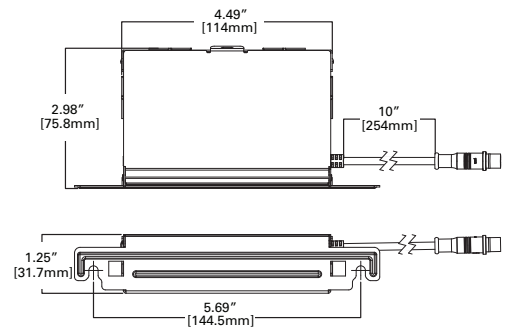
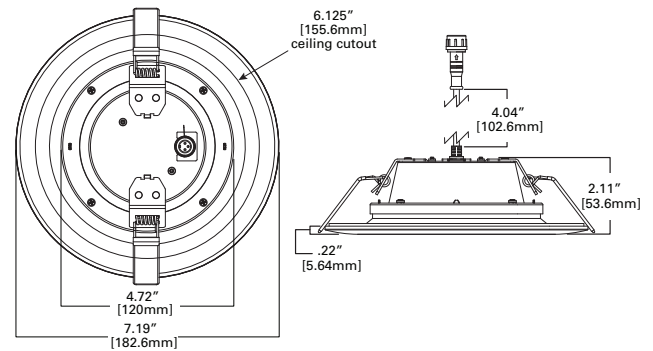
HL6RSMF = 6" round and square mounting frame

Extension Cable | seleCCTable Driver/Jbox

HLB06FSEC = 6 ft. extension cable

HLB12FSEC = 12 ft. extension cable

HLB20FSEC = 20 ft. extension cable



Mounting Frames



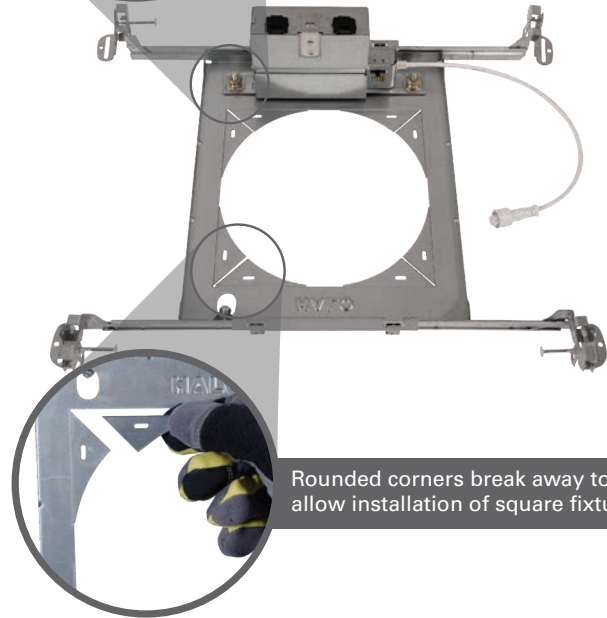
HL4RSMF - 4" round and square mounting frame



HL6RSMF - 6" round and square mounting frame



During electrical rough-in, the HLB driver / junction box attaches to the mounting frame with captive fasteners meeting code requirements for attachment to the building structure.



Rounded corners break away to allow installation of square fixtures.

Extension cables



SeleCCTable driver / junction box

HLB06FSEC - 6 ft. extension cable

HLB12FSEC - 12 ft. extension cable

HLB20FSEC - 20 ft. extension cable



Cooper Lighting Solutions

1121 Highway 74 South
Peachtree City, GA 30269
P: 770-486-4800
www.cooperlighting.com

Canada Sales
5925 McLaughlin Road
Mississauga, Ontario L5R 1B8
P: 905-501-3000
F: 905-501-3172

Lighting Product Lines

Ametrix
AtLite
Corelite
Ephesus
Fail-Safe
HALO
HALO Commercial
Invue
io
IRIS
Lumark
Lumière
McGraw-Edison
Metalux
MWS
Neo-Ray
Portfolio
RSA
Shaper
Streetworks
Sure-Lites

Controls Product Lines

Greengate

Connected Lighting Systems

Fifth Light (Canada Only)
HALO Home
WaveLinX

IoT Platform

Trellix



© 2021 Cooper Lighting Solutions
All Rights Reserved
Printed in USA
Publication No. BR518115EN
March 2020

Products, specifications and compliances are subject to change without notice.

Cooper Lighting Solutions is a registered trademark.
All other trademarks are property of their respective owners.

