



Luminator sensor with two weatherproof, corrosion-proof floodlights and round mounting plate. PRE-WIRED FOR EASY INSTALLATION. Both floods and sensor have universal ball swivels for easy tool-less adjustment. Lamps not supplied.

Color: Bronze

Weight: 1.4 lbs

Project:	Type:
Prepared By:	Date:

Technical Specifications

Listings

UL Listed:

Suitable for wet locations

Electrical

Voltage:

120 volts AC 60 Hz

Power Consumption:

1W

Wall Switch Manual Override:

Two flip logic prevents activation by momentary power outages. Override resets to auto after 6 hours or at dawn. No extra wiring needed.

Surge Protection:

Withstands up to 3000 volts

Switching Capacity:

300 watts incandescent @ 120 volts, 2.5 amps.

Sensor Specifications

Time Adjustment:

8 seconds to 10 minutes

Photo Control:

Deactivates lights during daylight. Fully adjustable for 24 hour operation or custom applications.

Detector Sensitivity:

Adjustable from 100% to 50%

Auto Test Logic:

5 minutes of test time when power is turned on, Rests to auto mode without further adjustment

Sensor Housing:

Made of tough, corrosion resistant polycarbonate

Detection:

110° view

Construction

Floodlights:

Made of tough, corrosion-resistant polycarbonate. Accepts PAR-38 lamps, medium base, 150 watts max. Lamps not included.

Other

Warranty:

3 year sensor warranty

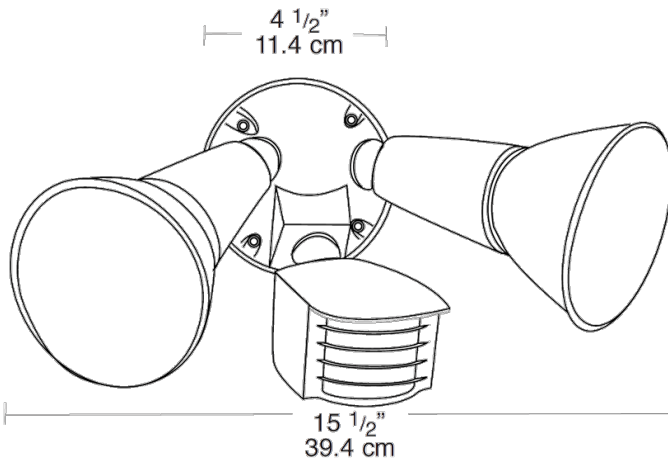
Technical Specifications (continued)

Other

Buy American Act Compliance:

RAB values USA manufacturing! Upon request, RAB may be able to manufacture this product to be compliant with the Buy American Act (BAA). Please contact customer service to request a quote for the product to be made BAA compliant.

Dimensions



Features

- 300 Watt switching capacity
- Manual override
- Fully adjustable positioning
- 110° double look down lens
- Tough, vandal resistant lens and grill
- LS300 fits 1/2" standard threaded cover plates
- 3-Year Warranty