

# MMR Series

## multi mount rack

fully welded rack with the flexibility to be installed desktop, floor-standing or wall mounted in one of three distinct ways

features:

- Multiple wall mount options provide flexibility for budgets & workflows
  - Easy access pivot
  - Hang bracket for mounting fully integrated rack
  - Direct-to-wall
- Ideal for installation in closets, basements and equipment rooms
- Up to 250 lb weight capacity
- UL Listed in the US and Canada



specifications:

EIA compliant 19" welded equipment rack shall be Middle Atlantic Products model # MMR-\_\_-\_\_ (refer to chart). Overall dimensions of rack shall be 23.51" W x \_\_" D x \_\_" H, with a useable height of \_\_ rack spaces (refer to chart). MMR Series shall have a UL Listed 250 lb. weight capacity when floor standing, 250 lb. weight capacity when mounted directly to wall, 150 lb. weight capacity when used with optional hang bracket, 150 lb. weight capacity when used with pivot bracket. MMR Series braces shall be phosphate pre-treated and finished in metallic grey powdercoat. MMR Series shall include one pair of fully adjustable rackrail with tapped 10-32 mounting holes in universal EIA spacing with black e-coat finish and numbered rack spaces. MMR Series shall be capable of being mounted to the wall directly, with optional hang bracket or with optional pivoting backpan. MMR Series shall be UL Listed in the US and Canada to the UL-2416 (NWIN) Category when used with optional bonding kit, model # PET-K-\_\_\_. MMR Series shall be GREENGUARD Gold Certified. MMR Series shall be manufactured by an ISO 9001 and ISO 14001 registered company. Rack shall be warranted to be free from defects in material or workmanship under normal use and conditions for the lifetime of the rack.

Customizable specification clips available at [middleatlantic.com](http://middleatlantic.com)



PRODUCT CERTIFIED FOR LOW CHEMICAL EMISSIONS  
UL.COM/GG  
UL 2818

PATENT PENDING

options:

- Optional locking/latching front/rear door, plexi shall be DOOR-Pxx (refer to chart), Solid shall be DOOR-Sxx (refer to chart)
- Optional Casters shall be CASTERS-K
- Optional Leveling Feet shall be LEVELFEET-K
- Rear rail kit, 10-32 threaded, sold in pairs, hardware included, model #MMR-RRXX (X=# of rackspace)
- Optional vertical power shall be PWR-x-V (refer to chart)
- Top-mount DC fan panels shall be FANTOP-138DC (110V), IFANTOP-138DC (220V) accepts up to two
- Fan Controller shall be FC-DC
- Optional Hang Bracket shall be HANG-MMRxx (refer to chart), and have a 150 lb. weight capacity
- Optional Pivot Bracket with 90 degree opening shall be PIVOT-MMRxx (refer to chart), and have a 150 lb. weight capacity
- Optional bonding kit for UL-2416 (NWIN) compliance shall be model # PET-K-FANTOP (for fan top to rack), PET-K-DOOR (for door to rack), PET-K-MMR-PH (for pivot or hang bracket to rack).

what great systems are built on.™

A brand of legrand

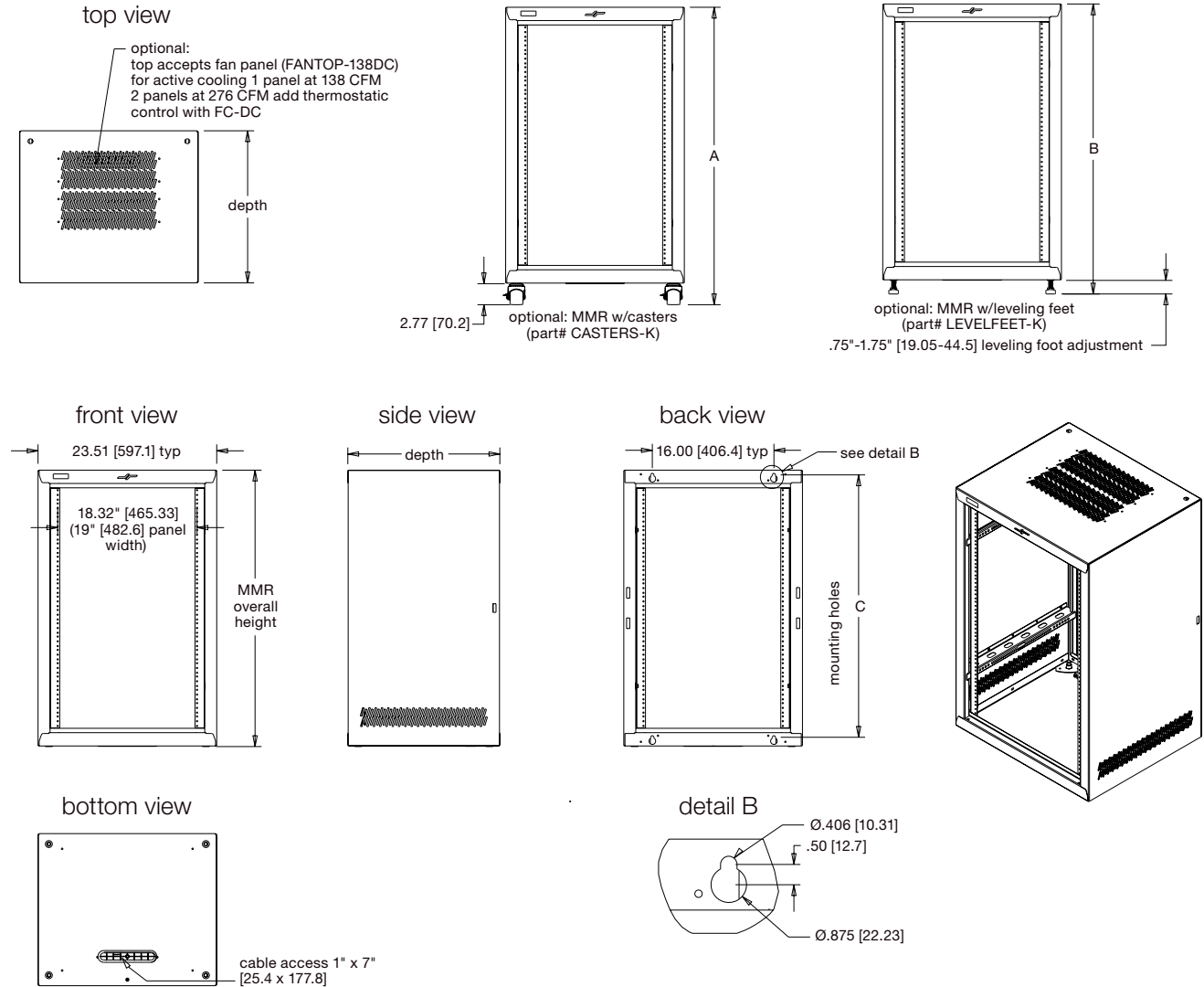
Middle Atlantic Products

[middleatlantic.com](http://middleatlantic.com) | [middleatlantic.ca](http://middleatlantic.ca)

# MMR Series

## basic dimensions

all dimensions in inches unless otherwise noted [all dimensions in brackets are in millimeters]



Notes:  
 Direct to Wall Mount: 250 lbs [113.4kg] weight capacity  
 Floor Standing: 250 lbs [113.4] weight capacity

Part#	Overall Height	A Overall Height w/Casters	B Min./Max. Height w/Leveling Feet	C Mounting Holes	Center Section Depth	Racking Height	Rack Spaces	Usable Depth	Weight Capacity	Optional Power
MMR-1020	22.35" [567.7]	25.1" [637.5]	23.1" - 24.1" [586.7 - 612.1]	20.5" [520.7]	20.0" [508]	17.5" [444.5]	10U	18.0" [457.2]	250 lb. [113.4kg]	PWR-8-V
MMR-1220	25.85" [656.6]	28.6" [726.4]	26.6" - 27.6" [675.6 - 701]	24.0" [609.6]	20.0" [508]	21.0" [533.4]	12U	18.0" [457.2]	250 lb. [113.4kg]	PWR-8-V
MMR-1620	32.85" [834.4]	35.6" [904.2]	33.6" - 34.6" [853.4 - 878.8]	31.0" [787.4]	20.0" [508]	28.0" [711.2]	16U	18.0" [457.2]	250 lb. [113.4kg]	PWR-8-V
MMR-1820	36.35" [923.3]	39.1" [993.1]	37.1" - 38.1" [942.3 - 967.7]	34.5" [876.3]	20.0" [508]	31.5" [800.1]	18U	18.0" [457.2]	250 lb. [113.4kg]	PWR-16-V
MMR-1624	32.85" [834.4]	35.6" [904.2]	33.6" - 34.6" [853.4 - 878.8]	31.0" [787.4]	24.0" [609.6]	28.0" [711.2]	16U	22.0" [558.8]	250 lb. [113.4kg]	PWR-8-V
MMR-1824	36.35" [923.3]	39.1" [993.1]	37.1" - 38.1" [942.3 - 967.7]	34.5" [876.3]	24.0" [609.6]	31.5" [800.1]	18U	22.0" [558.8]	250 lb. [113.4kg]	PWR-16-V

what great systems are built on.™

A brand of **legrand**

**MA**

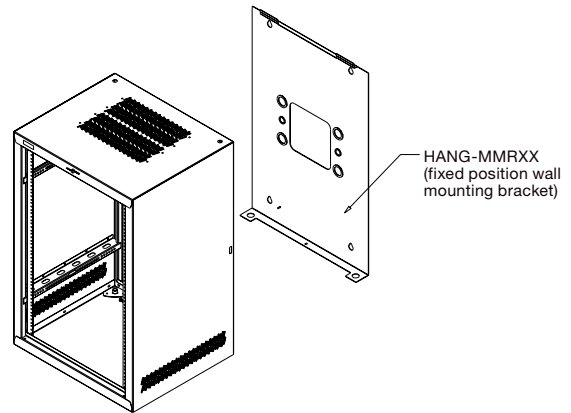
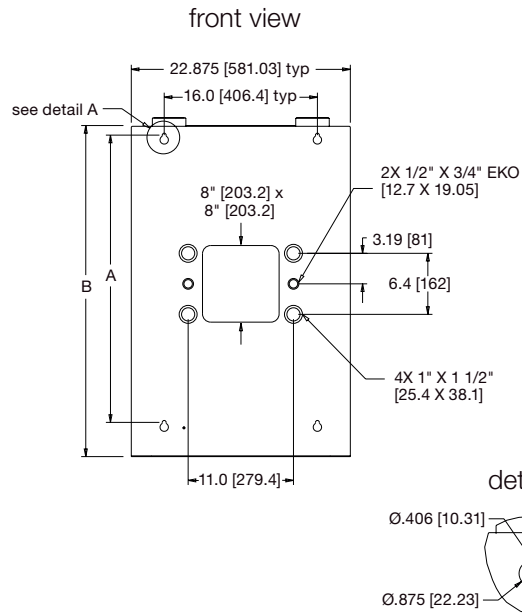
**Middle Atlantic Products**

middleatlantic.com | middleatlantic.ca

# MMR Wall Mount

## basic dimensions

all dimensions in inches unless otherwise noted [all dimensions in brackets are in millimeters]



Part#	A Mounting Holes	B	Weight Capacity	Compatible With
HANG-MMR10	16.0" [406.4]	20.58" [522.73]	150 lb. [68.04kg]	MMR-1020
HANG-MMR12	19.5" [495.3]	24.08" [611.63]	150 lb. [68.04kg]	MMR-1220
HANG-MMR16	26.5" [673.1]	31.08" [789.43]	150 lb. [68.04kg]	MMR-1620/MMR-1624
HANG-MMR18	30.0" [762]	34.58" [878.33]	150 lb. [68.04kg]	MMR-1820/MMR-1824

what **great systems** are built on.™

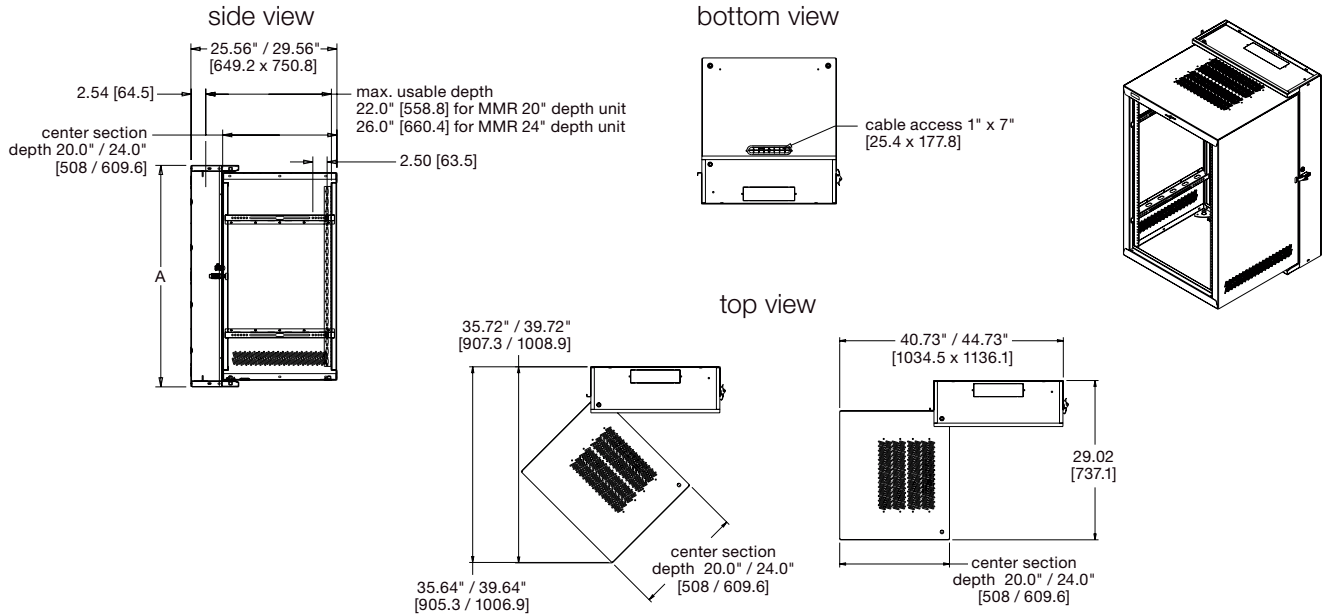
A brand of **legrand**

**MA**  
Middle Atlantic Products  
middleatlantic.com | middleatlantic.ca

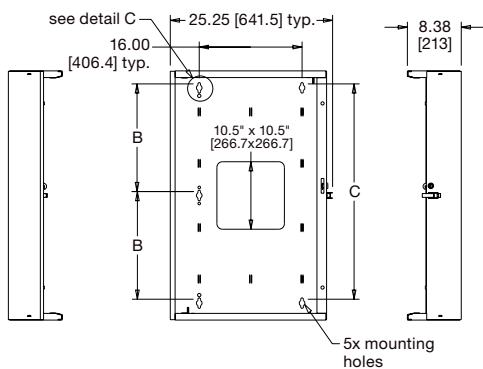
# MMR Pivot Backpan

## basic dimensions

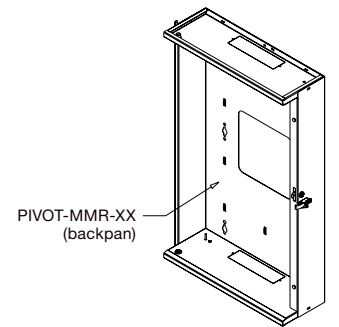
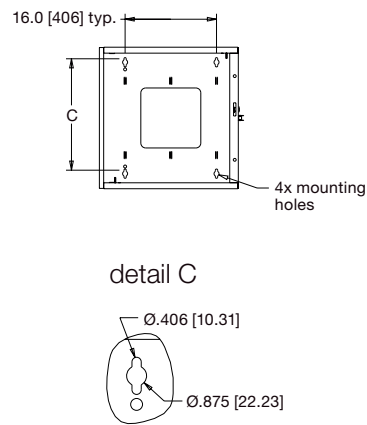
all dimensions in inches unless otherwise noted [all dimensions in brackets are in millimeters]



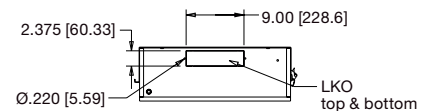
PIVOT-MMR-16 / PIVOT-MMR-18



PIVOT-MMR-10 / PIVOT-MMR-12



top view  
PIVOT-MMR-XX



Part#	A Overall Height Backpan	B Mounting Holes	C Mounting Holes	Weight Capacity	Compatible With
PIVOT-MMR-10	24.77" [629.2]	-	19.5" [495.3]	150 lb. [68.04kg]	MMR-1020
PIVOT-MMR-12	28.27" [718]	-	23.0" [584.2]	150 lb. [68.04kg]	MMR-1220
PIVOT-MMR-16	35.27" [895.9]	15.0" [381]	30.0" [762]	150 lb. [68.04kg]	MMR-1620/MMR-1624
PIVOT-MMR-18	38.77" [984.8]	16.75" [425.5]	33.5" [851]	150 lb. [68.04kg]	MMR-1820/MMR-1824

what great systems are built on.™

A brand of **legrand**

**MA**  
Middle Atlantic Products  
middleatlantic.com | middleatlantic.ca