



MILBANK[®]
ENERGY AT WORK

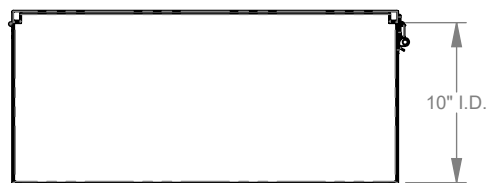
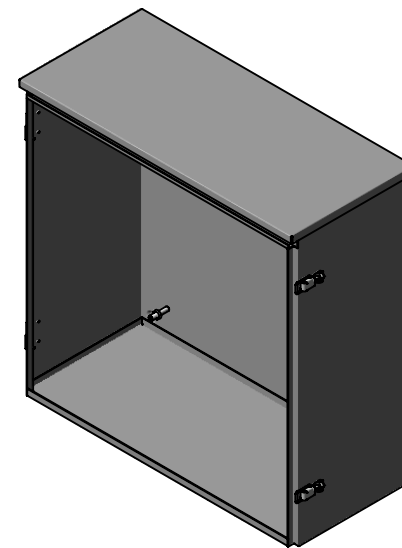
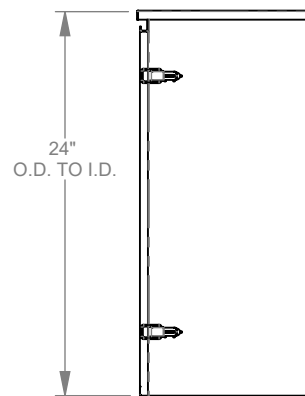
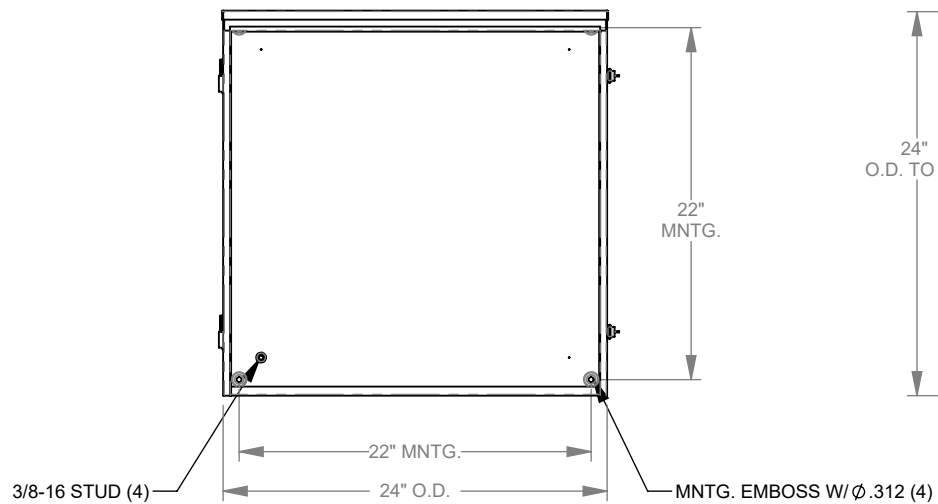


242410-TC3R

Catalog Number	242410-TC3R
Marketing Product Description	24X10x24 Hinge Cover Type 3R UL Listed Steel No Knockouts ANSI 61 Gray Back Panel Weld Studs Draw Shield Emboss Mounting Holes In Back Padlocking Draw Latch
UPC	784572225084
Length (IN)	10
Width (IN)	24
Height (IN)	24
Weight (LB)	43.7
Brand Name	Milbank
Type	Telephone Cabinet
Application	Outdoor Telephone Cabinet
Standard	UL Listed
Number Of Outlet	0
Door	Single Door
Material	Steel with Powder Coat Finish
Cable Entry	No Knockouts
Size	10L x 24W x 24H
Color	ANSI 61 Gray
Mounting	Wall Mount
Latch	Pad Locking Draw Latch Installed

Hinge	Continuous Hinge
NEMA Rating	Type 3R
Depth	10
Finish	Painted

Please consult serving utility for their requirements prior to ordering or installing, as specifications and approvals vary by utility and may require local electrical inspector approval. All installations must be installed by a licensed electrician and must comply with all national and local codes, laws and regulations. Milbank reserves the right to make changes in specifications and features shown without notice or obligation.



MILBANK
ENERGY AT WORK

Version:

1

**All dimensions are +/- 1/16".
Drawing views are not to scale.**

Please consult serving utility for their requirements prior to ordering or installing, as specifications and approvals vary by utility, and may require local electrical inspector approval. All installations must be installed by a licensed electrician and must comply with all national and local codes, laws and regulations. Milbank reserves the right to make changes in specifications and features shown without notice or obligation.