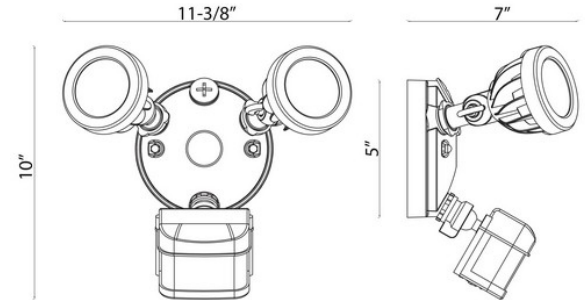




MORRIS CAT#: 72563A

LED Round 2-Head Security Light

120-277V, 20W, 3000K

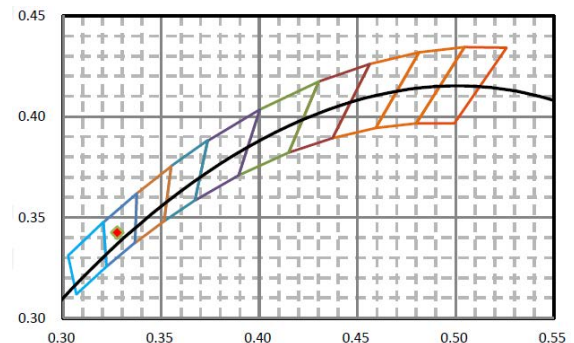
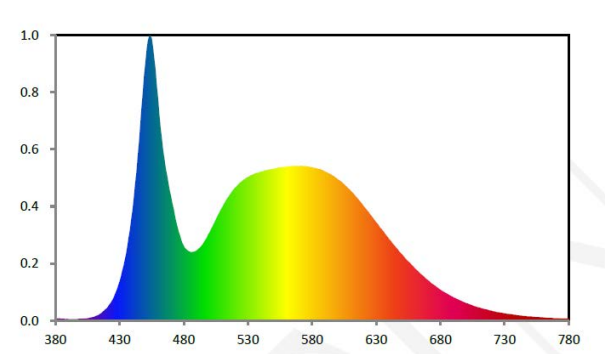


Features:

- Dual Head Configuration
- Turns Lights on Automatically When Motion is Detected
- Ideal for Walkways, Entrances, Backyards and Patios
- Provides Years of Trouble Free Service
- 240° Detection Angle out to 60Ft
- Adjustable Motion & Light Sensitivity & Time Delay
- 5 Year Limited Warranty
- IP65 rated
- Certification: cETL
- Environment: Suitable for Wet Locations

Part#	Input/Wattage	Volts	Lumens	CCT	CRI	Dimming	Light Pattern	Lumens/Watt
72563A	20W	120-277	1,900	3000K	>72	N/A	Outdoor	95

PHOTOMETRY





MORRIS CAT#: 72563A

LED Round 2-Head Security Light

120-277V, 20W, 3000K

Technical Specifications:

Electrical:

Input Voltage: 120V-277V

Current: .16A@120V

Frequency: 50/60Hz

Power Factor: \geq .98

THD: >20%

Product Parameters:

Input Watts: 20W

Lumens: 1,900

Efficacy: 95 lumens per watt

30,000+ Hour L70 Life Span

CCT: 3000K (Warm White)

Chromaticity Measurements:

Beam Angle: 49° per head

CRI: >72

R9: 9

Component Specifications:

LED: Lumileds 3030

120-277V, 50-60Hz

Dimming: N/A

Operating Temperature:

Minimum Starting: -4°F to 122°F

Construction:

Housing: Aluminum Alloy

Powder Coated

IP Rating: IP65 suitable for wet locations

Lens Material: Polycarbonate

Mounting: Wall or Eave Mounted to
Standard Junction Box

Listings: ETL

Warranty:

Morris Products carries a 5 year warranty from date of purchase against defects in materials and workmanship (assuming normal and proper usage).