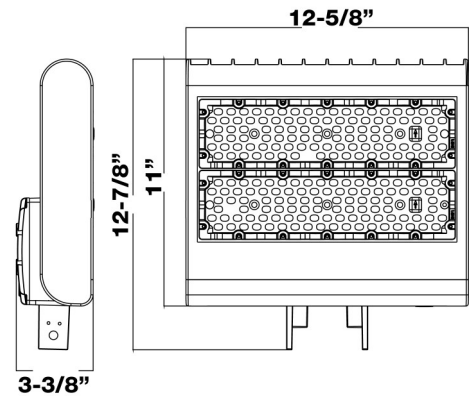




FlatPanel Gen 2 150W 120-277V 5000K Type III



Features:

White Diecast Aluminum Housing

Heat Resistant Directed Optics Frosted Polycarbonate Lens

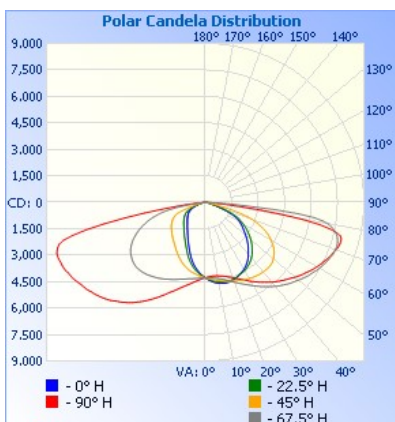
Excellent Heat Dissipation - Maximum Life Expectancy

LumiLEDs

Note: Fixture does not include mount - Pole Arm, Slipfitter, Trunnion Mount sold separately

Part#	Wattage	Volts	Lumens	CCT	CRI	Dimming	Light Pattern	Lumens/Watt	DLC #
74012	150	120-277	21,144	5000K	70	0-10V/PWM/VR	Type III	139	PLWTUITQXBWO

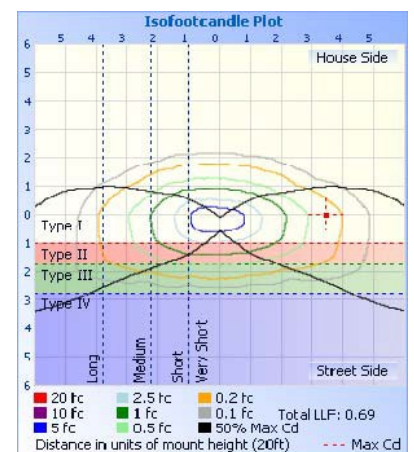
PHOTOMETRY



Illuminance at a Distance

Center Beam fc	Beam Width
12.0ft: 29.7 fc	36.5 ft 17.9 ft
24.0ft: 7.4 fc	72.9 ft 35.8 ft
36.0ft: 3.3 fc	109.4 ft 53.7 ft
48.0ft: 1.9 fc	145.9 ft 71.7 ft
60.0ft: 1.2 fc	182.3 ft 89.6 ft

■ Vert. Spread: 113.3°
■ Horiz. Spread: 73.5°





FlatPanel Gen 2

150W 120-277V

5000K Type III

Technical Specifications:

Electrical:

Input Voltage: 120-277
Current: 1.2756A@120V; .5964A@277V
Frequency: 50/60Hz
Power Factor: $\geq .90$
THD: 4.22%@120V; 12.22%@277V

Product Parameters:

Watts: 150
Lumens: 22,626
Efficacy: 139 lumens per watt
50,000+ Hour L70 Life Span
CCT: 5000K (Cool White)

Chromacity Measurements:

Beam Angle: Type III
BUG Rating: B3-U0-G3
CRI: >70
R9: 0
DUV: .0029
Chromaticity (x,y): x=.3493; y=.3607
Chromaticity (u,v): u=.2107; v=.4897

Component Specifications:

LED: Philips LUMILED 3030
Driver: 100-277V 50-60HZ
Driver Output Volts: 24-40
Driver Output Amps: 3800mA
10KV Surge Protection

Dimming: 0-10V/PWM/VR

Operating Temperature:

Minimum Starting -40°F - 131°F

Construction:

Housing: ADC12 Aluminum Alloy
Powder Coated - White
IP Rating: IP65 suitable for wet locations

Lens Material: Heat Resistant Polycarbonate Lens
UV Resistant
Fire Resistant

Mounting: 2 pc Mount design for simple 1 person installation

Photo Control: Can be installed Remotely

Listings: UL Listed: E474299

DLC#: PLWTUITQXBWO

Carton Qty: 1

Weight: 16 lb

EPA Rating: 1.227ft²

Accessories:

Pole Arm Mount:	Cat# 74033
Slipfitter Mount:	Cat# 74035
Trunnion Mount:	Cat# 74037
Round To Square Pole Adaptor:	Cat# 74041
Microwave Motion and Light Sensor :	Cat# 74042

Warranty:

Morris Products carries a 5 year warranty from date of purchase against defects in materials and workmanship (assuming normal and proper usage).