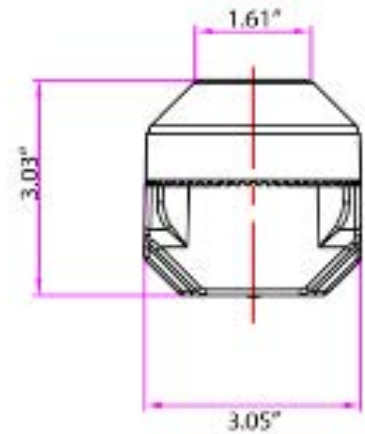
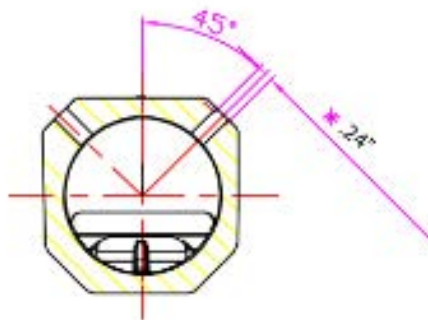
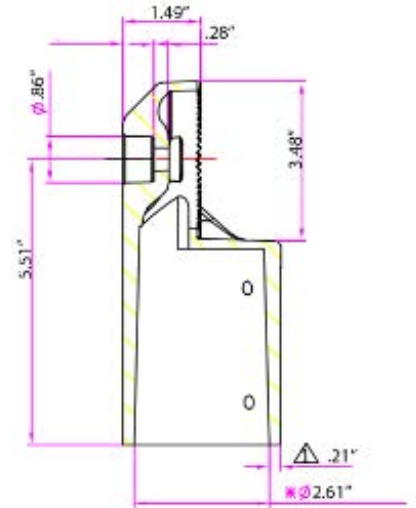
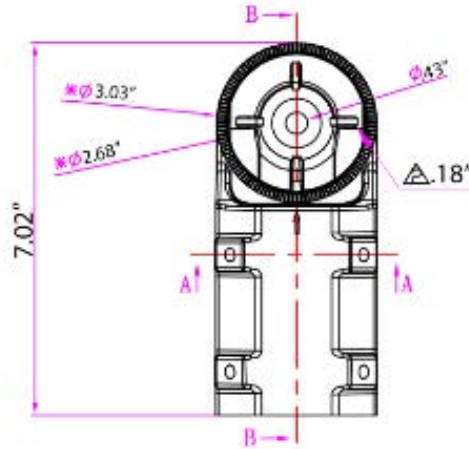




Slipfitter Mount 80W-300W White

MORRIS CAT#: 74035A

For use with MORRIS CAT#'s: 74079A, 74046A, 74047A, 74080A, 74045A, 74002A, 74004A, 74000A, 74048A, 74003A, 74005A, 74001A, 74049A, 74050A, 74052A, 74051A, 74010A, 74012A, 74008A, 74014A, 74011A, 74013A, 74009A, 74015A, 74053A, 74055A, 74054A, 74056A, 74057A, 74062A, 74063A, 74058A, 74059A, 74064A, 74060A, 74061A, 74065A, 74018A, 74022A, 74020A, 74016A, 74019A, 74023A, 74021A, 74017A, 74066A, 74067A, 74068A, 74026A, 74030A, 74028A, 74024A, 74027A, 74031A, 74029A, 74025A, 74069A, 74070A, 74071A



CAT#: 74035A

Features:

1. Die Cast Aluminum Housing.
2. Polyester Polycarbonate Powder Coating.
3. Adjustable Knuckles -
4. Stainless Steel Hardware to secure fixture and pole.