

TVT637



Display size
22"-40"



Max load
55lb (25kg)

tru•vUE™

Tilting Wall Mount

FOR 22" TO 40" DISPLAYS

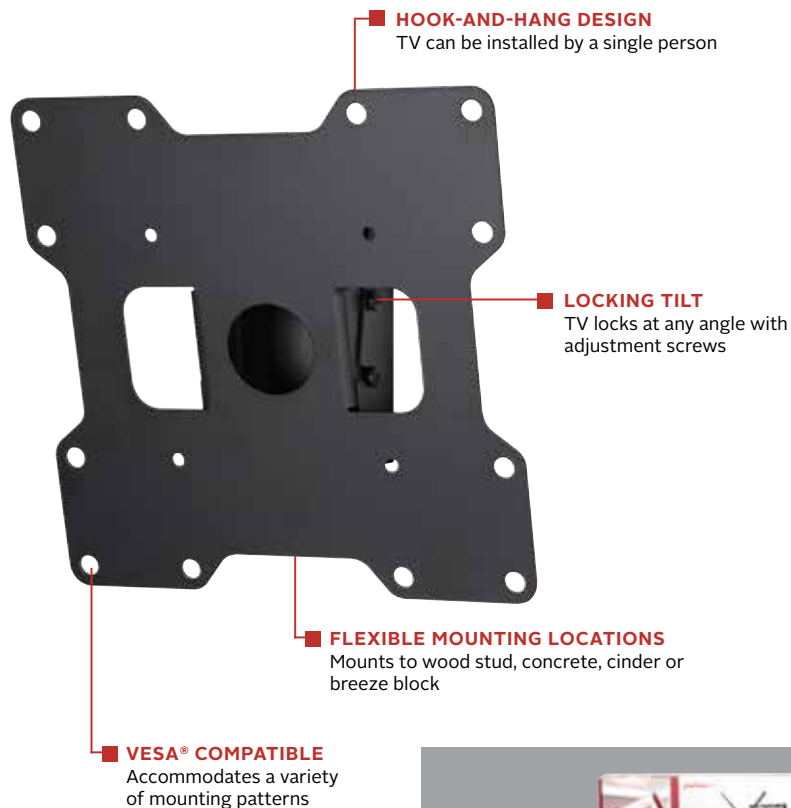
The TruVue™ series wall mounts combine ease of installation with viewing flexibility. With TVT637, a low-profile design positions the TV just 2.00" (51mm) from the wall. The Hook-and-Hang™ system offers easy, one-person installation of the TV. Tilt the TV 15° forward or 5° backward to optimize the TV's viewing angle.

The TVT637's adjustable viewing feature provides 15° of forward tilt and 5° backward tilt, creating the most optimal viewing angle.



Additional Features

- ✓ Positions display only 2.00" (51mm) from the wall
- ✓ Low-profile design creates a clean, concealed look
- ✓ Includes necessary wall and TV attachment hardware
- ✓ VESA® 100 x 100, 200 x 100 and 200 x 200mm mounting hole patterns
- ✓ Mounts to wood stud, concrete, cinder or breeze block
- ✓ TV adaptor plate simply slides into the wall plate for a quick and easy installation
- ✓ Design is UL listed and tested to four times stated load capacity



Comes in color packaging with included level, installation hardware and easy to follow instructions.

TVT637	TruVue™ Tilting Wall Mount for 22" to 40" Displays
---------------	--

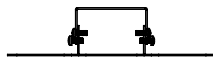
Product Specifications

	DIMENSIONS (W x H x D)	PRODUCT WEIGHT	LOAD CAPACITY	FINISH	AVAILABLE COLORS
TVT637	8.66" x 8.66" x 2.00"-2.94" (220 x 220 x 51-75mm)	2.1lb (1.0kg)	55lb (25kg)	Scratch resistant fused epoxy	Matte black

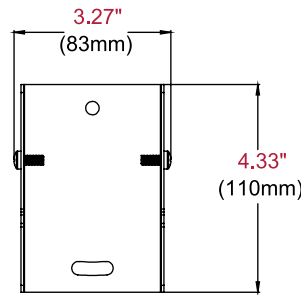
Package Specifications

	PACKAGE SIZE (W x H x D)	PACKAGE SHIP WEIGHT	PACKAGE UPC CODE	PACKAGE CONTENTS	UNITS IN PACKAGE
TVT637	9.65" x 2.95" x 10.79" (245 x 75 x 274mm)	2.6lb (1.8kg)	735029293231	Wall mount, wall and TV installation hardware, level	1

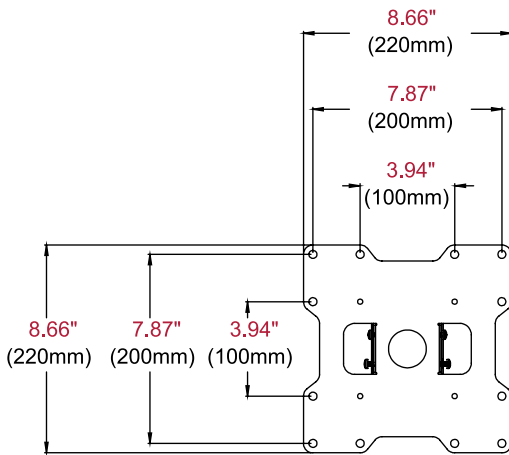
All dimensions = inch (mm)



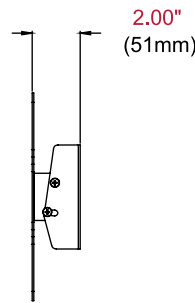
TOP VIEW



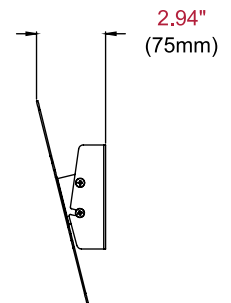
WALL PLATE DETAIL



FRONT VIEW



SIDE VIEW



**SIDE VIEW
+15°/-5° TILT**

Architect Specifications

The TruVue™ Tilting Wall Mount shall be a Peerless-AV model TVT637 and shall be located where indicated on the plans. Assembly and installation shall be done according to instructions provided by the manufacturer.

Visit peerless-av.com to see the complete line of AV solutions from Peerless-AV, including outdoor displays, wireless, kiosks, digital audio, display mounts, projector mounts, carts/stands, and a full assortment of accessories.

Peerless-AV
2300 White Oak Circle
Aurora, IL 60502 USA
(800) 865-2112
(630) 375-5100
Fax: (800) 359-6500

Peerless-AV Europe
Unit 3 Watford Interchange
Colonial Way, Watford
Herts, WD24 4WP
United Kingdom
+44 (0) 1923 200100
Fax: +44 (0) 1923 200101

Peerless-AV de México
Ave de las Industrias 413
Parque Industrial Escobedo
Escobedo, N.L.,
Mexico 66050
+52 (81) 8384-8300
Fax: +52 (81) 8384-8360

