



<b>Project:</b>	<b>Type:</b>
<b>Prepared By:</b>	<b>Date:</b>

Driver Info		LED Info	
Type	Constant Current	Watts	55W
120V	0.5A	Color Temp	3000K (Warm)
208V	0.16A	Color Accuracy	74 CRI
240V	0.14A	L70 Lifespan	100,000 Hours
277V	0.12A	Lumens	6,155 lm
Input Watts	57.4W	Efficacy	107.2 lm/W

### Technical Specifications

#### Compliance

##### UL Listed:

Suitable for wet locations

##### IP Rating:

Ingress protection rating of IP66 for dust and water

##### IESNA LM-79 & LM-80 Testing:

RAB LED luminaires and LED components have been tested by an independent laboratory in accordance with IESNA LM-79 and LM-80.

#### Electrical

##### Drivers:

Constant Current, Class 2 100V - 277V, 50/60 Hz. THD <20%.

##### Dimming Driver:

Driver includes dimming control wiring for 0-10V dimming systems. Requires separate 0-10V DC dimming circuit. Dims down to 10%.

##### THD:

8% at 120V, 7.2% at 277V

##### Power Factor:

99.1% at 120V, 97.2% at 277V

##### Photocell:

120V Swivel photocell included. Photocell is only compatible with 120V.

##### Construction

##### Lens:

Frosted polycarbonate

##### Gaskets:

High-temperature silicone

##### Ambient Temperature:

Suitable for use in up to 40°C (104°F)

##### Finish:

Formulated for high durability and long-lasting color

##### Cold Weather Starting:

The minimum starting temperature is -40°C (-40°F)

##### Thermal Management:

Superior thermal management with external "Air-Flow" fins

##### Housing:

Die-cast aluminum and sheetmetal housing. Polycarbonate is affected by cleaning agents or other liquids containing partial solvents such as low molecular weight aldehydes and ethers, ketones, esters, aromatic hydrocarbons and perchlorinated hydrocarbons. [Click here for a detailed list of damaging chemicals.](#)

##### Reflector:

Specular polycarbonate

##### Green Technology:

Mercury and UV free. RoHS-compliant components.

#### LED Characteristics

##### LEDs:

Long-life, high-efficacy, surface-mount LEDs

##### Color Consistency:

7-step MacAdam Ellipse binning to achieve consistent fixture-to-fixture color

##### Color Stability:

LED color temperature is warrantied to shift no more than 200K in color temperature over a 5-year period

## Technical Specifications (continued)

### Color Uniformity:

RAB's range of Correlated Color Temperature follows the guidelines of the American National Standard for Specifications for the Chromaticity of Solid State Lighting (SSL) Products, ANSI C78.377-2017.

### Performance

---

#### Lifespan:

100,000-Hour LED lifespan based on IES LM-80 results and TM-21 calculations

#### Wattage Equivalency:

Equivalent to 150W Metal Halide

### Installation

---

#### Mounting:

Die-cast aluminum backbox with (4) 1/2" conduit openings with plugs. Hinged tether for easy installation and wiring. Also accommodates 1/2" or 3/4" NPS pendants (provided by others).

### Other

---

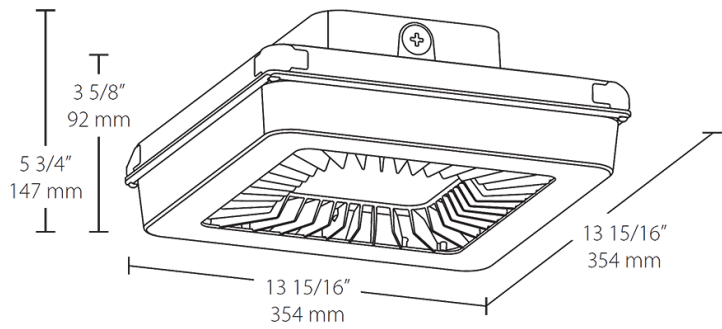
#### Warranty:

RAB warrants that our LED products will be free from defects in materials and workmanship for a period of five (5) years from the date of delivery to the end user, including coverage of light output, color stability, driver performance and fixture finish. RAB's warranty is subject to all terms and conditions found at [rablighting.com/warranty](http://rablighting.com/warranty).

#### Buy American Act Compliance:

RAB values USA manufacturing! Upon request, RAB may be able to manufacture this product to be compliant with the Buy American Act (BAA). Please contact customer service to request a quote for the product to be made BAA compliant.

**Dimensions**



**Features**

- Ultra-high efficiency
- Pendant or surface mount
- Low glare, vandal-resistant polycarbonate lens
- 20% uplight eliminates "cave effect"
- 100,000-Hour LED lifespan
- 5-Year, No-Compromise Warranty