

EPA762PU



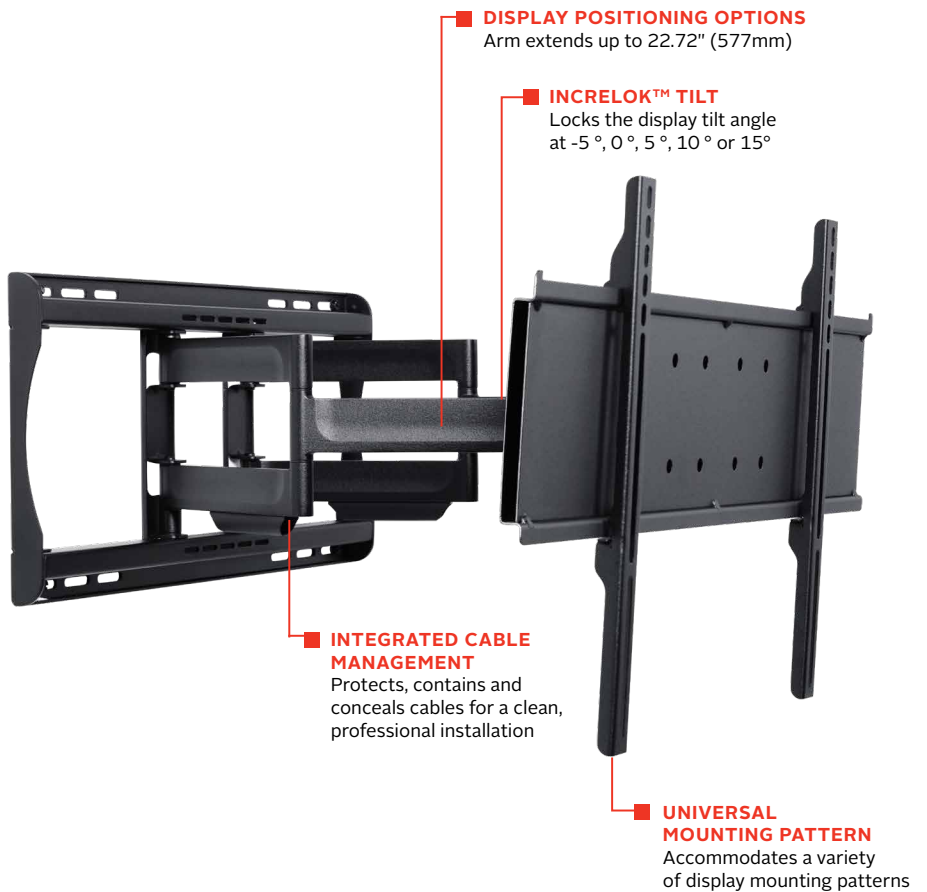
	Mounting Pattern Up to 730 x 405mm (28.75" x 15.95")		Max Load 150lb (68kg)
---	---	---	------------------------------------

Outdoor Articulating Wall Mount

FOR 42" TO 75" INDOOR OR OUTDOOR DISPLAYS

Peerless-AV's Outdoor Articulating Wall Mount is the ideal mounting solution for 42"-75" indoor or outdoor displays. The EPA762PU is specially coated with a protective anti-corrosive e-coating that repels against damaging temperature-related and outdoor corrosive elements. This all-season mounting solution is ideal for patios or decks, as well as installations in humid indoor areas like sun-rooms, locker rooms, bathrooms, car washes, indoor pools or water parks.

- Made of corrosion-resistant materials for weather resistance
- Fits displays with mounting patterns up to 730 x 405mm (28.75"W x 15.95"H) and up to 600 x 400mm VESA® compliant
- Universal model extends from 4.50" (114mm) to 22.72" (577mm) from the wall
- Open wall plate design for increased wall access and improved aesthetic
- Universal mounting pattern accommodates a variety of display mounting patterns
- IncreLok™ tilt allows adjustment of +15°/-5°
- Wood, concrete and cinder block mounting hardware included
- Includes all necessary wall and display attachment hardware



RoHS
COMPLIANT

TAA
COMPLIANT

Please visit peerless-av.com/en-us/patents for patent information.

✉ info@peerless-av.com

🌐 peerless-av.com

peerless-AV®
Driving Technology Through Innovation

EPA762PU Outdoor Articulating Wall Mount for 42" to 75" Indoor or Outdoor Displays

Product Specifications

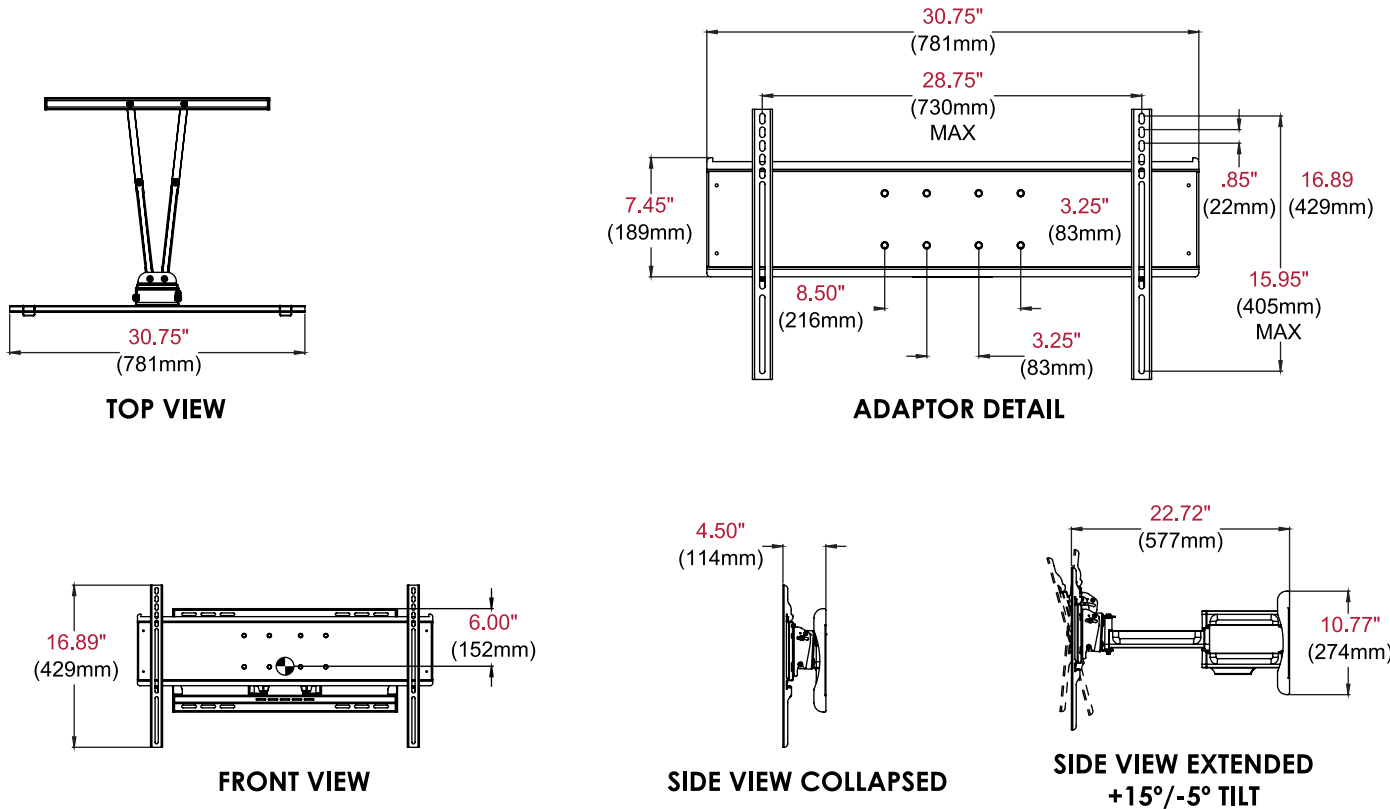
	DIMENSIONS (W x H x D)	PRODUCT WEIGHT	LOAD CAPACITY	FINISH	AVAILABLE COLORS
EPA762PU	30.75" x 16.89" x 4.50"-22.72" (781 x 429 x 114-577mm)	26.8lb (12.2kg)	150lb (68kg)	E-Coat Covered with Outdoor Powder Paint	Black

Package Specifications

	PACKAGE SIZE (W x H x D)	PACKAGE SHIP WEIGHT	PACKAGE UPC CODE	PACKAGE CONTENTS	UNITS IN PACKAGE
EPA762PU	33.00" x 4.25" x 12.00" (838 x 108 x 305mm)	29.3lb (13.3kg)	735029314387	Mount and Mounting Hardware	1

Compatible with 55" Neptune™ Shade Series Outdoor TV
65" Neptune™ Shade Series Outdoor TV
75" Neptune™ Shade Series Outdoor TV

All dimensions = inch (mm)



Architect Specifications

The Outdoor Articulating Wall Mount shall be a Peerless-AV model EPA762PU and shall be located where indicated on the plans. Assembly and installation shall be done according to instructions provided by the manufacturer.

Visit peerless-av.com to see the complete line of AV solutions from Peerless-AV, including outdoor displays, kiosks, display mounts, projector mounts, carts/stands, and a full assortment of accessories.

Peerless-AV
2300 White Oak Circle
Aurora, IL 60502 USA
(800) 865-2112
(630) 375-5100
Fax: (800) 359-6500

Peerless-AV EMEA
Unit 3 Watford Interchange
Colonial Way, Watford
Herts, WD24 4WP
United Kingdom
+44 (0) 1923 200100
Fax: +44 (0) 1923 200101

Peerless-AV Latin America
Av. de las Industrias 413
Parque Industrial Escobedo
General Escobedo, N.L.,
México, 66062
+52 (81) 8384-8300
Fax: +52 (81) 8384-8360

