

IMAM  
IMAL



**Max Load**  
225lb (102kg)

# I-Beam Mount

FOR DIGITAL SIGNAGE DISPLAYS

The Peerless-AV® I-Beam Mount is the perfect solution for securing displays to various sized I-beams, both indoors and outdoors. This product can be used in indoor manufacturing applications looking to create digital dashboards on the production floor to display KPI reporting, Six Sigma initiatives, or even branded content during customer visits. The mount's corrosion resistant design allows for outdoor use in stadiums, arenas, or parking garages with limited wall mounting space.

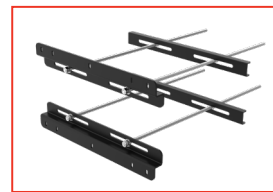
- IMAM designed for up to 12" wide beams  
IMAL designed for 12" to 24.5" wide beams
- Corrosion resistant design
- Supports both landscape and portrait mounting solutions
- Includes adaptors, threaded rod and mounting hardware for the selected wall mount
- Compatible with the following Peerless-AV® Wall Mount Models:

Indoor:

SF630, SF632, SF640, SF650, SF660  
ST630, ST632, ST640, ST650, ST660  
SP730P, SP740P, SP746PU  
SA730P, SA740P, SA746PU  
PF630, PF632, PF640, PF650, PF660  
PT630, PT632, PT640, PT650, PT660  
PP730P, PP740P  
PA730P, PA740P, PA746P

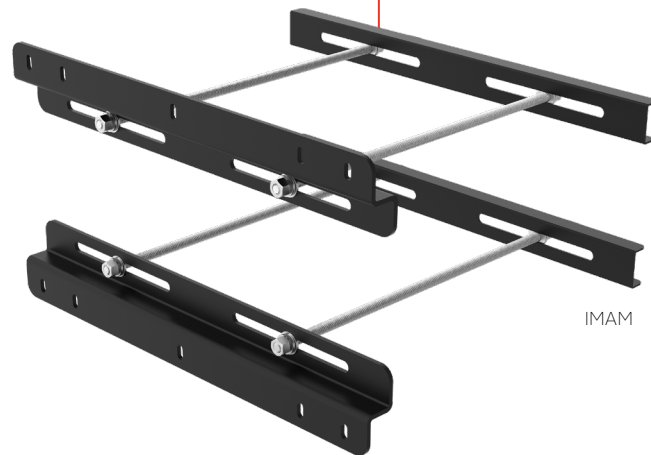
Outdoor:

EPT640, EPT650, EWMU,  
ESF655P, ESF686, EST655P



**CUT-TO-LENGTH  
THREADED RODS**

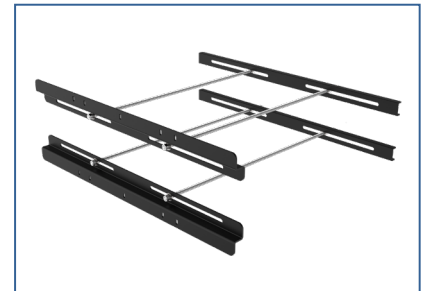
Threaded rods (included) can be cut-to-length to accommodate a variety of I-beam depths



IMAM



Shown with ST650



IMAL

**RoHS**  
PROOF

Please visit [peerless-av.com/en-us/patents](http://peerless-av.com/en-us/patents) for patent information.

✉ [info@peerless-av.com](mailto:info@peerless-av.com)

🌐 [peerless-av.com](http://peerless-av.com)

**peerless-AV®**  
Driving Technology Through Innovation

<b>IMAM</b>	I-Beam Mount for Digital Signage Displays (for up to 12" wide beams)
<b>IMAL</b>	I-Beam Mount for Digital Signage Displays (for 12" to 24.5" wide beams)

**Product Specifications**

	DIMENSIONS (W x H x D)	PRODUCT WEIGHT	LOAD CAPACITY	FINISH	AVAILABLE COLORS
<b>IMAM</b>	18.00" x 9.15" x 3.00"-12.00" (457 x 232 x 76-305mm)	12.2lb (5.5kg)	225lb (102kg)	Powder Coat	Black
<b>IMAL</b>	31.00" x 9.15" x 12.00"-24.50" (787 x 232 x 305-622mm)	17.5lb (7.9kg)			

**Package Specifications**

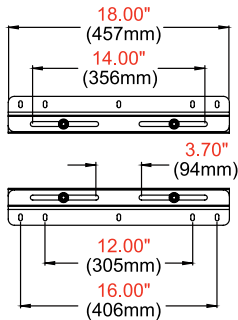
	PACKAGE SIZE (W x H x D)	PACKAGE SHIP WEIGHT	PACKAGE UPC CODE	PACKAGE CONTENTS	UNITS IN PACKAGE
<b>IMAM</b>	28.00" x 3.50" x 3.50" (711 x 89 x 89mm)	17.5lb (7.9kg)	735029344162	Corrosion Resistant Front Adaptor, Rear Adaptor, 3/8-16 Galvanized Threaded Rod, Galvanized Nuts and Washers, Wall Mount Mounting Hardware	1
<b>IMAL</b>	39.25" x 3.50" x 3.50" (997 x 89 x 89mm)	18.8lb (8.5kg)	735029344179		

**Compatible with the following Peerless-AV® Wall Mount models:**

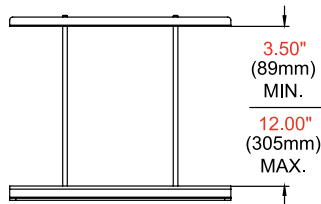
Indoor:  
 SF630, SF632, SF640, SF650, SF660  
 ST630, ST632, ST640, ST650, ST660  
 SP730P, SP740P, SP746PU  
 SA730P, SA740P, SA746PU  
 PF630, PF632, PF640, PF650, PF660  
 PT630, PT632, PT640, PT650, PT660  
 PP730P, PP740P  
 PA730P, PA740P, PA746P

Outdoor:  
 EPT640, EPT650, EWMU,  
 ESF655P, ESF686, EST655P

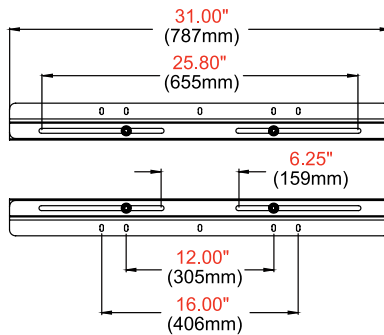
All dimensions = inch (mm)



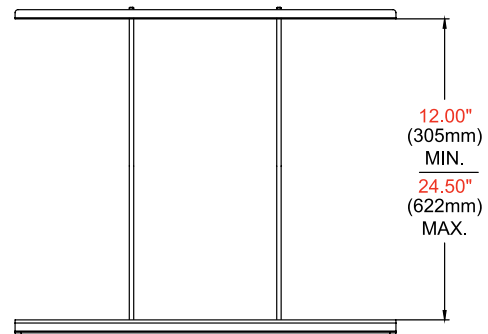
**IMAM FRONT VIEW**



**IMAM TOP VIEW**



**IMAL FRONT VIEW**



**IMAL TOP VIEW**

**Architect Specifications**

I-Beam Mount shall be a Peerless-AV® model IMAM/IMAL and shall be located where indicated on the plans. Assembly and installation shall be done according to instructions provided by the manufacturer.

Visit [peerless-av.com](http://peerless-av.com) to see the complete line of AV solutions from Peerless-AV, including outdoor displays, kiosks, display mounts, projector mounts, carts/stands, and a full assortment of accessories.

**Peerless-AV**  
 2300 White Oak Circle  
 Aurora, IL 60502  
 USA  
**(800) 865-2112**  
**(630) 375-5100**

**Peerless-AV EMEA**  
 Unit 2 Curo Park  
 Frogmore, St. Albans  
 Hertfordshire, AL2 2DD  
 United Kingdom  
**+44 (0) 1923 200 100**

**Peerless-AV B.V.**  
 Papendorpseweg 75  
 3528 BJ Utrecht  
 The Netherlands  
**+31 (0) 70 770 8037**

**Peerless-AV Latin America**  
 Av. de las Industrias 413  
 Parque Industrial Escobedo  
 General Escobedo, N.L.,  
 México, 66062  
**+52 (81) 8384-8300**

