



<b>Project:</b>	<b>Type:</b>
<b>Prepared By:</b>	<b>Date:</b>

Driver Info		LED Info	
Type	Constant Current	Watts	15W
120V	0.14A	Color Temp	3000K/4000K/5000K
208V	N/A	Color Accuracy	90 CRI
240V	N/A	L70 Lifespan	50,000 Hours
277V	N/A	Lumens	900 lm
Input Watts	15W	Efficacy	60

## Technical Specifications

### Performance

#### Description:

3CCT Selectable Low-profile, surface-mount Disk for new construction and retrofit applications. Integrated passive infrared (PIR) sensor with a 30s timeout make this ideal for use in a variety of applications including hallways, bathrooms, stairways, closets, and canopies. Mounting kit for recessed housing sold separately.

#### Product Type:

Surface & Flush Mounts

#### Input Wattage:

15W

#### Lumens (Nominal):

900lm

#### Efficacy:

60 lm/W

#### L70 Lifespan:

50,000-Hour LED lifespan based on IES LM-70 results

### Electrical

#### Dimming Driver:

TRIAC compatible dimmer

#### THD:

≤20%

#### Power Factor:

≥0.9

#### Flicker:

≤30%

#### Input Voltage:

120V

#### Operating Frequency:

60Hz

### Construction

#### Material:

Metal

#### Trim Style:

Smooth Trim

## Technical Specifications (continued)

### Construction

**Shape:**

Round

**Mounting:**

Surface and recessed mount

**Operating Temperature:**

-20°C (-4°F) to 40°C (104°F)

**Size:**

6"

### LED Characteristics

**R9 Value:**

High color performance with R9 greater than or equal to 50

### Compliance

**UL Classified:**

Yes

**UL Listed:**

Yes

**ENERGY STAR V2.2:**

ENERGY STAR® Version 2.2 Certified

**Energy Star ID:**

2389600

### Other

**Warranty:**

RAB warrants that our LED products will be free from defects in materials and workmanship for a period of five (5) years from the date of delivery to the end user, including coverage of light output, color stability, driver performance and fixture finish. RAB's warranty is subject to all terms and conditions found at [rablighting.com/warranty](http://rablighting.com/warranty).

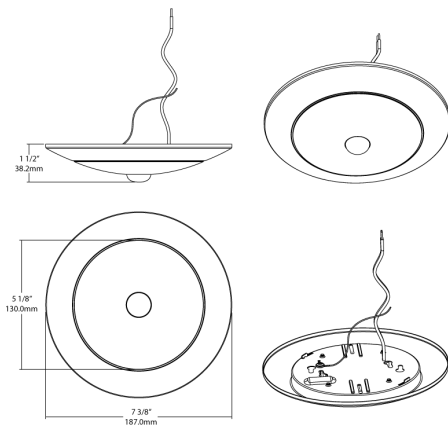
**Trade Agreements Act Compliant:**

This product is a product of Cambodia and a "designated country" end product that complies with the Trade Agreements Act

**Buy American Act Compliance:**

RAB values USA manufacturing! Upon request, RAB may be able to manufacture this product to be compliant with the Buy American Act (BAA). Please contact customer service to request a quote for the product to be made BAA compliant.

## Dimensions



## Features

- Low profile back-lit design made of durable thermoplastic housing with frosted lens
- New construction or retrofit applications
- Installs on standard junction boxes
- Suitable for indoor/outdoor use in dry, damp, and wet locations
- Suitable for use in closets when installed in accordance with NEC guidelines
- Integrated passive infrared (PIR) sensor with a 30s timeout

## Ordering Matrix

Family	Size	Shape	Wattage	CRI/Color Temp	Voltage	Finish	Trim	Sensor	
DSKFA	-	6	R	15	9CCT	120	W	S	/PIR
	4 = 4"	R = Round	10 = 10W	9CCT = 90 CRI, Field Adjustable CCT	120 = 120V	W = White	S = Smooth	/PIR = PIR Sensor	
	6 = 6"		15 = 15W						