



Color: White

Weight: 4.7 lbs

|                     |              |
|---------------------|--------------|
| <b>Project:</b>     | <b>Type:</b> |
| <b>Prepared By:</b> | <b>Date:</b> |

| Driver Info |                   | LED Info       |                  |
|-------------|-------------------|----------------|------------------|
| Type        | Constant Current  | Watts          | 150W             |
| 120V        | 1.40A/1.20A/1.00A | Color Temp     | 3000/4000/5000K  |
| 208V        | 0.80A/0.70A/0.60A | Color Accuracy | 83-86 CRI        |
| 240V        | 0.70A/0.60A/0.50A | L70 Lifespan   | 100,000 Hours    |
| 277V        | 0.60A/0.50A/0.40A | Lumens         | 15,317-22,224 lm |
| Input Watts | 101-149.1W        | Efficacy       | 140.1-168.8 lm/W |

## Technical Specifications

### Field Adjustability

#### Field Adjustable:

Field Adjustable Light Output:  
150W/120W/100W (factory default 150W)  
Color temperature selectable by 3000K, 4000K and 5000K (factory default 4000K)

### Compliance

#### UL Listed:

Suitable for wet locations

#### IESNA LM-79 & LM-80 Testing:

RAB LED luminaires and LED components have been tested by an independent laboratory in accordance with IESNA LM-79 and LM-80.

#### IP Rating:

Ingress protection rating of IP65 for dust and water

#### Certification Model Number:

H17-002

#### DLC Listed:

This product is listed by Design Lights Consortium (DLC) as an ultra-efficient premium product that qualifies for the highest tier of rebates from DLC Member Utilities. Designed to meet DLC 5.1 requirements.  
DLC Product Code: S-AXTFS7

### Electrical

#### Driver:

100W: Constant Current, 120-277V, 50/60Hz, 120V: 0.86A, 208V: 0.50A, 240V: 0.43A, 277V: 0.37A  
120W: Constant Current, 120-277V, 50/60Hz, 120V: 1.03A, 208V: 0.59A, 240V: 0.51A, 277V: 0.44A  
150W: Constant Current, 120-277V, 50/60Hz, 120V: 1.24A, 208V: 0.72A, 240V: 0.62A, 277V: 0.54A

#### Dimming Driver:

Driver includes wiring for 0-10V dimming systems.  
Dim as low as 10%.

#### THD:

3.25% at 120V, 5.6% at 277V

#### Power Factor:

99.71% at 120V, 93.05% at 277V

#### Surge Protection:

L-N: 4kV  
L/N-PE: 6kV

### LED Characteristics

#### LEDs:

Long-life, high-efficacy, surface-mount LEDs

#### Color Consistency:

7-step MacAdam Ellipse binning to achieve consistent fixture-to-fixture color

### Color Uniformity:

RAB's range of Correlated Color Temperature follows the guidelines of the American National Standard for Specifications for the Chromaticity of Solid State Lighting (SSL) Products, ANSI C78.377-2017.

### Construction

#### Cold Weather Starting:

The minimum starting temperature is -40°C (-40°F)

#### Ambient Temperature :

Max Power Temp Rating: 50°C (122°F)  
Middle Power Temp Rating: 57°C (135°F)  
Low Power Temp Rating: 63°C (145°F)

#### Housing:

Precision die-cast aluminum

#### Lens:

Polycarbonate lens

#### Reflector:

Polycarbonate and Aluminum (Reflector Accessories Sold Separately)

#### Finish:

Formulated for high durability and long-lasting color

**Technical Specifications (continued)**

**Green Technology:**

Mercury and UV free. RoHS-compliant components.

**Installation**

**Mounting:**

Comes standard with a hanging hook and a 6-foot cord. Heavy-duty 3/4"-14 NPT hook and 3/4"-14 pendant mount capable (pendant by others)

**Other**

**Compatible Products:**

[H17 Field-Adjustable High Bay Accessories](#)

**5 Yr Limited Warranty:**

The RAB 5-year, limited warranty covers light output, driver performance and paint finish. RAB's warranty is subject to all terms and conditions found at [rablighting.com/warranty](http://rablighting.com/warranty).

**Buy American Act Compliance:**

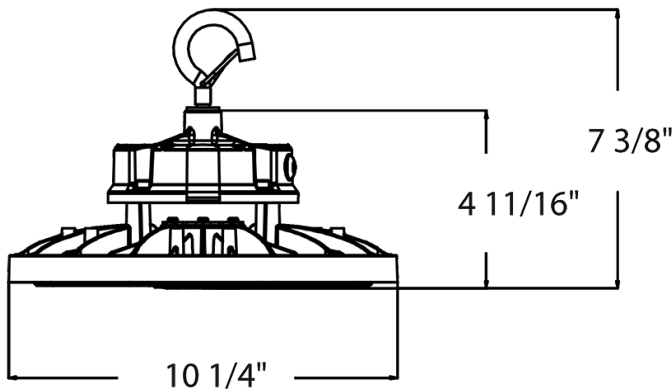
RAB values USA manufacturing! Upon request, RAB may be able to manufacture this product to be compliant with the Buy American Act (BAA). Please contact customer service to request a quote for the product to be made BAA compliant.

**Performance**

**Wattage Equivalency:**

Equivalent to 400W Metal Halide

**Dimensions**



**Features**

- DLC Premium listed
- 100,000-hour LED Life
- 0-10V dimming standard
- 5-Year, limited warranty

## Ordering Matrix

| Family | Wattage                                                                           | Mounting     | Color Temp                                | Finish                     | Driver                                                              | Options                                                                                                                                                   |
|--------|-----------------------------------------------------------------------------------|--------------|-------------------------------------------|----------------------------|---------------------------------------------------------------------|-----------------------------------------------------------------------------------------------------------------------------------------------------------|
| H17    | S = 100/80/60W<br>Blank = 150/120/100W<br>XL = 240/200/150W<br>XXL = 500/400/300W | Blank = Hook | Blank = 3000/4000/5000K CCT<br>Adjustable | B = Black<br>Blank = White | Blank = 120-277V, 0-10V<br>Dimming<br>/480 = 480V, 0-10V<br>Dimming | Blank = No Option<br>/6CP = 6' Cord & 120V Plug<br>/6CP2 = 6' Cord & 277V Plug<br>/6CPT4 = 6' Cord & 480V Plug<br>/LCBS = Lightcloud Blue<br>w/PIR Sensor |