

<b>Project:</b>	<b>Type:</b>	<b>Prepared By:</b>	<b>Date:</b>
-----------------	--------------	---------------------	--------------



### Features and Benefits

- Produces rich and vibrant colors >90CRI
- Energy efficient replacement for incandescent and halogen Reflector lamps
- Constructed from durable plastic which lowers risk of breakage
- Rated for use in enclosed and open fixtures in dry or damp locations
- Frosted lens produces smooth diffuse light
- Longer lifespan compared to legacy equivalents minimizes replacement and maintenance costs
- ENERGY STAR Compliant, Title 20 Compliant
- Dimmable with common dimmer types (check compatibility list)

### Technical Specifications

<b>Performance</b>	<b>L70 Lifespan:</b>	<b>Base Type:</b>
<b>Product Type:</b> Reflector	25,000-Hour LED lifespan based on IES LM-70 results	E26
<b>Input Wattage:</b> 10W	<b>LED Characteristics</b>	<b>Beam Angle:</b> 120°
<b>Lumens (Nominal):</b> 700lm	<b>Color Temperature:</b> 3000K	<b>Electrical</b>
<b>Efficacy:</b> 70 lm/W	<b>Construction</b>	<b>Power Factor:</b> >0.9
<b>Color Accuracy (CRI):</b> 90 CRI	<b>Bulb Shape:</b> BR30	<b>Input Voltage:</b> 120V
<b>Dimmable:</b> Yes, down to 10%	<b>Enclosure Material:</b> Plastic	<b>Operating Frequency:</b> 60 Hz
	<b>Housing Finish:</b> White	
	<b>Lens Finish:</b> Frosted	

## Technical Specifications (continued)

### Electrical

#### Operating Temperature:

-20°C - 40°C

### Other

#### Equivalency:

65W

#### Technology EQ:

Incandescent

#### Warranty:

RAB warrants that our LED products will be free from defects in materials and workmanship for a period of four (4) years from the date of delivery to the end user, including coverage of light output, color stability, driver performance and fixture finish. RAB's warranty is subject to all terms and conditions found at [rablighting.com/warranty](http://rablighting.com/warranty).

### Compliance

#### UL Listed:

Yes

#### Environment/Fixture Rating:

Damp / Enclosed

#### Energy Star ID:

2328153

#### T20 Compliant:

Yes, Title 20 Tier 2

#### T24 JA8 Compliant:

Complies with Title 24 Appendix JA8

#### RoHS:

Mercury and UV free. RoHS-compliant components.

#### FCC:

Complies with Part 15 of the FCC Rules

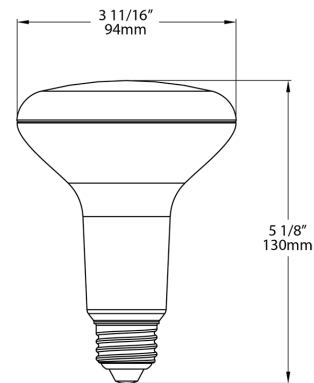
#### Model Number:

BR30-10-930-DIM

## Case and Pallet Dimensions

	QTY	LENGTH (in)	WIDTH (in)	HEIGHT (in)
CASE	6	12	8	6.5
PALLET	840	47.9	40	39

## Dimension



## Light Distribution

