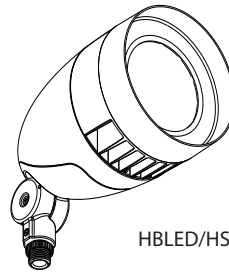


# INSTRUCTIONS

## HBLED HSLED HNLED INSTALLATION

# RAB®

RAB Lighting is committed to creating high-quality, affordable, well-designed and energy-efficient LED lighting and controls that make it easy for electricians to install and end users to save energy. We'd love to hear your comments. Please call the Marketing Department at 888-RAB-1000 or email: [marketing@rablighting.com](mailto:marketing@rablighting.com)



HBLED/HSLED/HNLED

### IMPORTANT

#### **READ CAREFULLY BEFORE INSTALLING FIXTURE. RETAIN THESE INSTRUCTIONS FOR FUTURE REFERENCE.**

RAB fixtures must be wired in accordance with the National Electrical Code and all applicable local codes. Proper grounding is required for safety. THIS PRODUCT MUST BE INSTALLED IN ACCORDANCE WITH THE APPLICABLE INSTALLATION CODE BY A PERSON FAMILIAR WITH THE CONSTRUCTION AND OPERATION OF THE PRODUCT AND THE HAZARDS INVOLVED.

**WARNING: Make certain power is OFF before installing the fixture. No user serviceable parts inside.**

**CAUTION: For proper weatherproof seal, apply weatherproof silicone sealant around the edge of the Junction Box. This is especially important with an uneven wall surface. Use silicone sealant or teflon tape around the thread of the arm.**

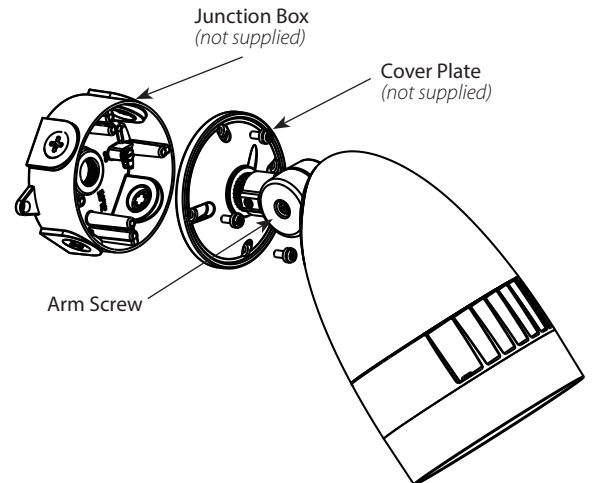
### WALL MOUNTING

Mount to a weatherproof **Junction Box** (*not supplied*) and **Cover Plate** (*not supplied*) as shown in Fig 1.

Apply weatherproof silicone sealant around the edge of the Junction Box. This is especially important with an uneven wall surface.

1. Thread fixture into **Cover Plate**. Use silicone sealant or teflon tape around the thread of the arm.
2. Connect wires as shown in the wiring section (**Fig 3**).
3. Attach **Cover Plate** to **Junction Box**.
4. Aim fixture in the desired direction and tighten locknut and **Arm Screw**.

Fig. 1

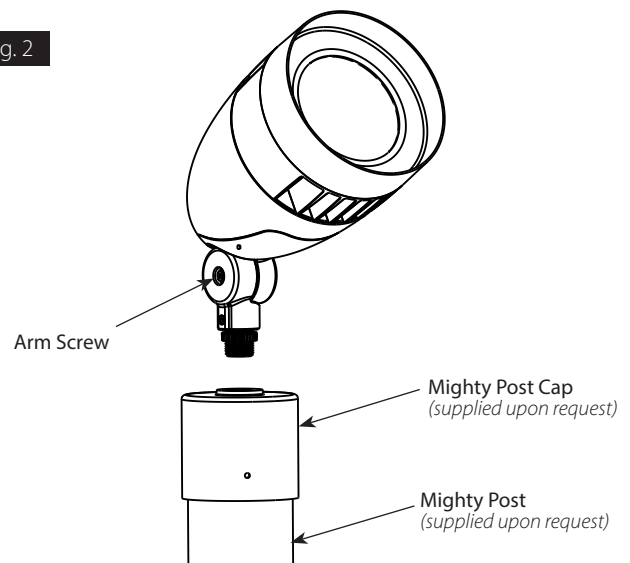


### GROUND MOUNTING

Mount to a **Mighty Post** (*RAB Cat# MP19*) as shown in Fig 2.

1. Thread fixture into **Mighty Post Cap** (*supplied upon request*). Use silicone sealant or teflon tape around the thread of the arm.
2. Connect wires as shown in the wiring section (**Fig 3**). Push all wires inside the **Mighty Post** (*supplied upon request*).
3. Place **Mighty Post Cap** on the **Mighty Post**.
4. Aim fixture in the desired direction and tighten locknut and **Arm Screw**.

Fig. 2



# INSTRUCTIONS

## HBLED HSLED HNLED INSTALLATION



RAB Lighting is committed to creating high-quality, affordable, well-designed and energy-efficient LED lighting and controls that make it easy for electricians to install and end users to save energy. We'd love to hear your comments. Please call the Marketing Department at 888-RAB-1000 or email: [marketing@rablighting.com](mailto:marketing@rablighting.com)

### 0-10V DIMMABLE WIRING

Universal voltage driver permits operation at 120V thru 277V, 50 or 60 Hz. Units ordered with (/480V) suffix are 480V. 0-10V control wires must be rated for 300V minimum. For 0-10V dimming, follow the wiring directions below (Fig 3):

1. Connect the **black fixture lead** to the **LINE** supply lead.
2. Connect the **white fixture lead** to the **COMMON** supply lead.
3. Connect the **GROUND** wire from fixture to supply ground.  
**DO NOT** connect the **GROUND** of the dimming fixture to the output.
4. Connect the **purple fixture lead** to the **DIM V+ lead**.
5. Connect the **gray fixture lead** to the **DIM V- lead**.
6. Cap the **yellow fixture lead**, if present. **DO NOT** connect.

### CLEANING & MAINTENANCE

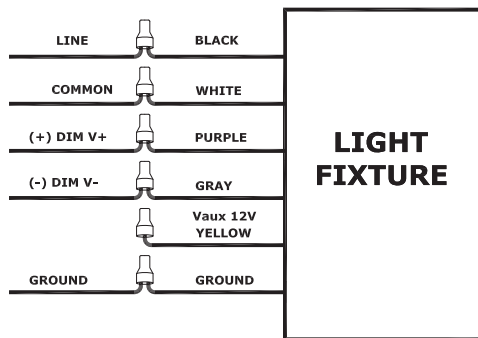
**CAUTION:** *Be sure fixture temperature is cool enough to touch. Do not clean or maintain while fixture is energized.*

1. Clean glass lens with non-abrasive glass cleaning solution.
2. Do not open the fixture to clean the LED. Do not touch the LED.
3. Keep leaves and debris out of hood.

### TROUBLESHOOTING

1. Check that the line voltage at the fixture is correct. Refer to wiring directions.
2. Be sure the fixture is grounded properly.
3. Is the photocell, if used, functioning properly?

Fig. 3



**Note:** These instructions do not cover all details or variations in equipment nor do they provide for every possible situation during installation, operation or maintenance.



#### Easy Answers

[rablighting.com](http://rablighting.com)  
Visit our website for product info

**Tech Help Line**  
Call our experts: 888 722-1000

**e-mail**  
Answered promptly - [sales@rablighting.com](mailto:sales@rablighting.com)

**Free Lighting Layouts**  
Answered online or by request