

Project: _____ Type: _____ Prepared By: _____ Date: _____



Features and Benefits

- Produces rich and vibrant colors >90CRI
- Energy efficient replacement for incandescent and halogen Small diameter reflectors
- Constructed from durable materials which lowers risk of breakage
- Rated for use in enclosed and open fixtures in dry or damp locations
- Single optic and full face lens for precise beam angle control
- Longer lifespan compared to legacy equivalents minimizes replacement and maintenance costs
- Title 20 Compliant, ENERGY STAR Compliant, UL Listed
- Compatible with low voltage transformers (check compatibility list)

| Technical Specifications | | |
|---|---|---|
| Performance | Dimmable: | Warranty: |
| Product Type: Small-Reflector | Yes | RAB warrants that our LED products will be free from defects in materials and workmanship for a period of five (5) years from the date of delivery to the end user, including coverage of light output, color stability, driver performance and fixture finish. RAB's warranty is subject to all terms and conditions found at rablighting.com/warranty . |
| Input Wattage: 6.5W | Construction | LED Characteristics |
| Lumens (Nominal): 500lm | Bulb Shape: MR16 | Color Temperature: 3000K Warm White |
| Efficacy: 77 lm/W | Base Type: GU5.3 | Electrical |
| Color Accuracy (CRI): ≥90 | Beam Angle: 25° | Power Factor: >0.9 |
| L70 Lifespan: 25,000 Hours | For Use Outdoors in Open Fixtures: No | Operating Temperature: -20°C - 45°C |
| | Other | Input Voltage: 12V |
| | Equivalency: 50W Halogen | |

Technical Specifications (continued)

Electrical Characteristics

Flicker:

≤30%

Compliance

UL Listed:

Yes

ENERGY STAR V2.0:

This product is ENERGY STAR® Version 2.0 Certified

Energy Star ID:

2351922

Model Number:

R10026

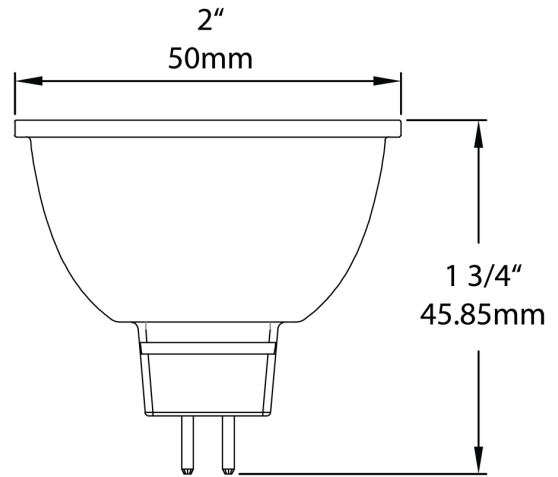
CEC Status:

Lawful for sale in California

Case and Pallet Dimensions

| | QTY | LENGTH (in) | WIDTH (in) | HEIGHT (in) |
|--------|------|-------------|------------|-------------|
| CASE | 12 | 8.74 | 6.61 | 2.165 |
| PALLET | 5760 | 44.49 | 40.47 | 45.35 |

Dimension



Light Distribution

