

Project: \_\_\_\_\_ Type: \_\_\_\_\_ Prepared By: \_\_\_\_\_ Date: \_\_\_\_\_



**Features and Benefits**

- Field Adjustable 3 CCTs in 1 SKU (3000K, 3500K, 4000K)
- Replaces 18W/26W/32W G24d & G24q CFL Lamps
- Plug and Play on existing Magnetic CFL ballasts or can be wired directly to line voltage without need for an external driver or ballast
- Compatible with G24d / GX24d & G24q / GX24q installations
- Instant-on with no warmup, unlike CFLs
- Lasts 5x longer than compact fluorescent lamps
- Consumes up to 1/3 the energy of conventional CFL
- Base rotates, direct light where needed on Horizontal models
- 50,000 hour Lifespan
- Environmentally friendly, no mercury used
- UL Listed, UL Classified
- Rated for use in enclosed and open fixtures in dry or damp locations
- Non-Dimmable
- 5 Year No Compromise Warranty

<b>Technical Specifications</b>		
<b>Performance</b>	<b>L70 Lifespan:</b>	<b>Base Type:</b>
<b>Product Type:</b> Compact	50,000-Hour LED lifespan based on IES LM-80 results and TM-21 calculations	2-Pin G24d
<b>Input Wattage:</b> 8.5W	<b>LED Characteristics</b>	<b>Beam Angle:</b> 120°
<b>Lumens (Nominal):</b> 1100/1120/1150lm	<b>Color Temperature:</b> 3000K/3500K/4000K	<b>Electrical</b>
<b>Efficacy:</b> 129/132/135 lm/W	<b>Construction</b>	<b>THD:</b> 20%
<b>Color Accuracy (CRI):</b> 80	<b>Bulb Shape:</b> PLC-Vertical	<b>Power Factor:</b> >0.9
<b>Dimmable:</b> Non-Dim	<b>Enclosure Material:</b> Polycarbonate	<b>Input Voltage:</b> 120-277 Type B (Type A depended on ballast)
	<b>Housing Finish:</b> White	
	<b>Lens Finish:</b> Frosted	

## Technical Specifications (continued)

### Electrical

**Operating Frequency:**

50/60Hz

**Operating Temperature:**

-20°C - 45°C

### Installation

**Installation Method:**

UL TYPE A with Magnetic Ballasts & UL Type B (Dual Mode)

**Burning Position:**

Vertical

### Other

**Equivalency:**

26W/32W G24d & G24q

**Technology EQ:**

CFL

**Warranty:**

RAB warrants that our LED products will be free from defects in materials and workmanship for a period of five (5) years from the date of delivery to the end user, including coverage of light output, color stability, driver performance and fixture finish. RAB's warranty is subject to all terms and conditions found at [rablighting.com/warranty](http://rablighting.com/warranty).

### Compliance

**Safety Listing:**

UL Listed, UL Classified

**Environment/Fixture Rating:**

Damp / Open

**RoHS:**

Mercury and UV free. RoHS-compliant components.

**FCC:**

Complies with Part 15 of the FCC Rules

**Model Number:**

T10201(PLC-8.5-V-8FA-HYB)

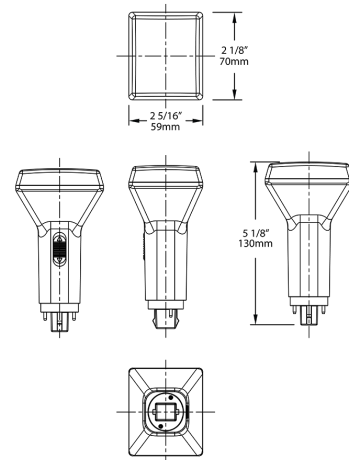
### Minimum Compartment Size

Length x Width x Height [in]	Lamp Quantity
8.9 x 10.3 x 5.7	1

### Case and Pallet Dimensions

	QTY	LENGTH (in)	WIDTH (in)	HEIGHT (in)
CASE	12	0	0	0
PALLET	281	0	0	0

### Dimension



## Light Distribution

