



UPC: 019813512907



Color: White

Weight: 0.4 lbs

**Project:**

**Type:**

**Prepared By:**

**Date:**

### Driver Info

Type	Constant Current
120V	0.115A
208V	N/A
240V	N/A
277V	N/A
Input Watts	8W

### LED Info

Watts	8W
Color Temp	3000K (Warm)
Color Accuracy	90 CRI
L70 Lifespan	50,000 Hours
Lumens	623
Efficacy	81.25

## Technical Specifications

### Compliance

#### UL Listed:

Suitable for wet locations

#### ENERGY STAR V2.2:

This product is ENERGY STAR® Version 2.2 Certified.

#### Energy Star Model Number:

DLR0084

#### NEC Compliant:

Suitable for use in closets. Compliant with NEC Sec. 410.16 (A)(1) and 410.16 (C5).

#### California Title 24:

Can be used to conform with the requirements of California Title 24 Part 6.

### Electrical

#### Dimming Driver:

TRIAC compatible dimmer with dimming as low as 5%. [See dimmer compatibility guide here.](#)

#### Power Factor:

≥0.9

#### Remote Driver:

Die-cast metal driver / junction box with a hinged cover.  
Listed for 12AWG and 14AWG conduit.  
Includes two metal knockouts for wiring.  
Quick connectors included.  
Plenum rated cable connector to connect from module to remote driver box.

#### PF:

≥0.9

#### Input Voltage:

120V

### Operating Frequency (Hz):

60Hz

### Performance

#### Lifespan:

50,000-Hour LED lifespan based on IES LM-80 results and TM-21 calculations

### Construction

#### IC Rated:

Suitable for direct contact with insulation. Type IC inherently protected, suitable for direct contact to air permeable insulation and cULus listed for damp locations. Not for use in direct contact with spray foam insulation, consult NEMA LSD57-2013.

#### Air Tight:

Housing certified Air Tight as per ASTM E283

## Technical Specifications (continued)

### Construction

#### Housing:

Precision die-cast aluminum

#### Trim Style:

Baffle Trim

#### Cold Weather Starting:

The minimum starting temperature is -30°C (-22°F)

#### Maximum Ambient Temperature:

Suitable for use in up to 35°C (95°F)

#### Green Technology:

Mercury and UV free. RoHS-compliant components.

#### Mounting:

Robust retention clips spring loaded tabs ensure the fixture is securely installed. Can be installed in 1/4" to 1 1/2" thick ceilings.

### Lens:

Diffuse Polystyrene lens produces smooth uniform light that is glare free

### Finish:

Matte White

### Optical

#### Beam Angle:

38° narrow beam spread for accent lighting

### LED Characteristics

#### LEDs:

Long-life, high-efficacy, surface-mount LEDs

#### Wattage Equivalency:

60W Incandescent

#### R9 Value:

High color performance with R9 greater than or equal to 50

### Flicker:

Silent and flicker free operations of less than 30%

### Other

#### Template:

Template included for easy ceiling cut out

#### Warranty:

RAB warrants that our LED products will be free from defects in materials and workmanship for a period of five (5) years from the date of delivery to the end user, including coverage of light output, color stability, driver performance and fixture finish. RAB's warranty is subject to all terms and conditions found at [rablighting.com/warranty](http://rablighting.com/warranty).

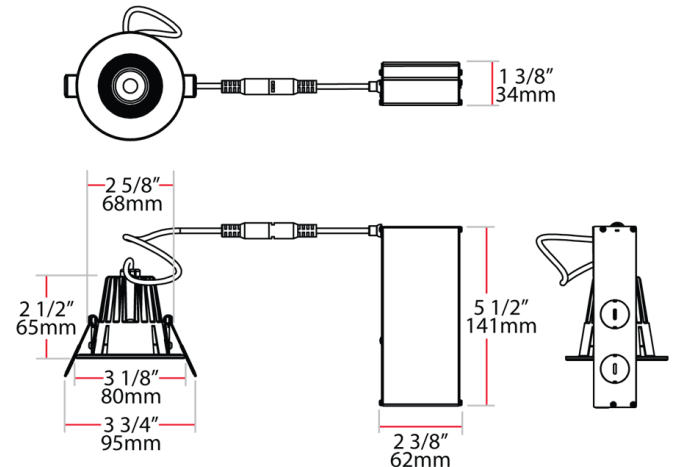
#### Buy American Act Compliance:

RAB values USA manufacturing! Upon request, RAB may be able to manufacture this product to be compliant with the Buy American Act (BAA). Please contact customer service to request a quote for the product to be made BAA compliant.

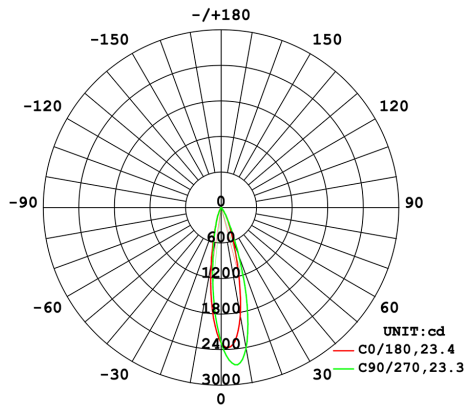
## Case and Pallet Dimensions

	QTY	LENGTH (in)	WIDTH (in)	HEIGHT (in)
<b>CASE</b>	6	10.63	9.84	5.71
<b>PALLET</b>	768	4.72	3.35	46.85

## Dimension



## Light Distribution



## Features

- Deep regressed lens
- No recessed housing or J-box required
- New construction or retrofit applications
- UL wet location rated
- Spring loaded retention clips
- Robust, die cast aluminum construction
- IC and airtight rated
- 5-Year, No-Compromise Warranty

## Ordering Matrix

Family	Size	Shape	Wattage	CRI/Color Temp	Voltage	Finish	Trim
R	2	R	8	930	120	W	B
2 = 2"		R = Round	8 = 8W	940 = 90 CRI, 4000K (Neutral) 930 = 90 CRI, 3000K (Warm) 927 = 90 CRI, 2700K (Residential Warm)	120 = 120V	W = White	B = Baffle