



**Technical Specifications (continued)**

**Sensor Specifications**

**"No Hands" Auto Testing:**

Auto mode starts after 4 minutes of testing. No adjustment needed.

**Photoelectric Control:**

Deactivates lights during daylight. Fully adjustable for 24 hour operation or custom applications.

**Time Delay:**

5 seconds to 15 minutes

**Ambient Light Sensing:**

Adjustable

**Adjustments:**

Time, ambient light & sensitivity

**Detection:**

180° detection pattern

**LED Characteristics**

**LED Detection Indicator:**

LED glows red day & night for "on guard" deterrence

**Other**

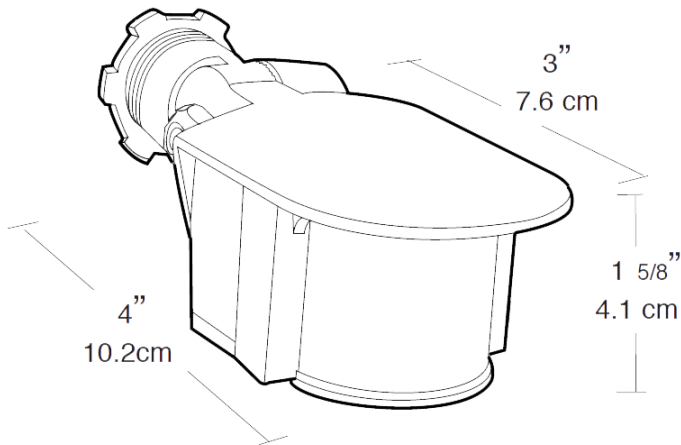
**Warranty:**

5-year sensor warranty

**Buy American Act Compliance:**

RAB values USA manufacturing! Upon request, RAB may be able to manufacture this product to be compliant with the Buy American Act (BAA). Please contact customer service to request a quote for the product to be made BAA compliant.

**Dimensions**



**Features**

- Surge protected
- 180° detection pattern
- Quick installation with 5 second test time and auto test logic
- LED "on guard" indicator
- Protected manual override with auto reset after 8 hours or at dawn