



Two adjustable 12W LED floodlights. Equivalent to 2x75W BR30/halogen/wide floods. Comes with sensor with 180° detection pattern at up to 30 ft.

Color: White

Weight: 5.2 lbs

Project:	Type:
Prepared By:	Date:

Driver Info		LED Info	
Type	Constant Current	Watts	24W
120V	0.22A	Color Temp	3000K (Warm)
208V	N/A	Color Accuracy	84 CRI
240V	N/A	L70 Lifespan	100,000 Hours
277V	N/A	Lumens	2,502
Input Watts	27.2W	Efficacy	92 lm/W

Technical Specifications

Compliance

UL Listed:

Suitable for wet locations, wall mount only

IESNA LM-79 & LM-80 Testing:

RAB LED luminaires and LED components have been tested by an independent laboratory in accordance with IESNA LM-79 and LM-80.

LED Characteristics

LEDs:

Multi-chip, high-output, long-life LEDs

Color Stability:

LED color temperature is warranted to shift no more than 200K in color temperature over a 5-year period

Color Uniformity:

RAB's range of Correlated Color Temperature follows the guidelines of the American National Standard for Specifications for the Chromaticity of Solid State Lighting (SSL) Products, ANSI C78.377-2017.

Performance

Lifespan:

100,000-Hour LED lifespan based on IES LM-80 results and TM-21 calculations

Construction

Thermal Management:

Superior heat sinking with external Air-Flow fins

Housing:

Die-cast aluminum housing, lens frame and mounting plate

Reflector:

Semi-specular, vacuum-metalized polycarbonate

Lens:

Microprismatic diffusion lens for smooth and even light distribution

Mounting:

Heavy-duty mounting arm with "O" ring seal and stainless steel screws

Gaskets:

High-temperature silicone gaskets

Finish:

Our environmentally friendly polyester powder coatings are formulated for high-durability and long-lasting color

Green Technology:

Mercury and UV free. RoHS-compliant components.

Technical Specifications (continued)

Other

Equivalency:

2x75W PAR30

Warranty:

RAB warrants that our LED products will be free from defects in materials and workmanship for a period of ten (10) years from the date of delivery to the end user, including coverage of light output, color stability, driver performance and fixture finish. RAB's warranty is subject to all terms and conditions found at rablighting.com/warranty.

Trade Agreements Act Compliant:

This product is a product of Cambodia and a "designated country" end product that complies with the Trade Agreements Act

Buy American Act Compliance:

RAB values USA manufacturing! Upon request, RAB may be able to manufacture this product to be compliant with the Buy American Act (BAA). Please contact customer service to request a quote for the product to be made BAA compliant.

Electrical

Switching Capacity:

500 Watts of LED BULLET12 floods

Voltage:

120VAC, 60Hz

Sensor Specifications

Sensor Power Consumption (when idle):

1 Watt

Time Adjustment:

5 seconds to 15 minutes

Sensor LED:

Sensor indicator LED glows red day & night for "on guard" deterrence

Surge Protection:

Withstands up to 3000 Volts

"No Hands" Auto Testing:

Auto mode starts after 4 minutes of testing. No adjustment needed.

Manual Override:

Double flip wall switch logic prevents activation by momentary power outages. Override resets to auto at dawn. No extra wiring needed.

RF Immunity:

Circuits fully shielded for maximum radio frequency immunity

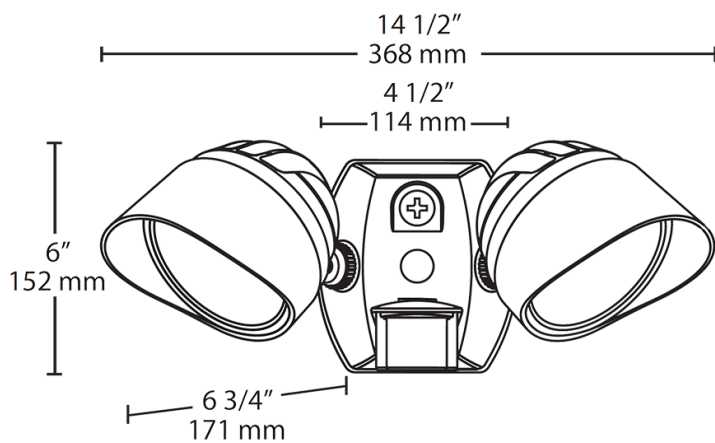
Photoelectric Control:

Deactivates lights during daylight. Fully adjustable for 24-hour operation or custom applications.

Adjustments:

Time, ambient light & sensitivity

Dimensions



Features

- Two adjustable 12W LED floodlights
- Equivalent to 2x75W BR30/halogen/wide floods
- Sensor with 180° detection pattern at up to 30 ft.
- Photo control keeps lights off during the daytime
- Microprismatic diffusion lens optimizes light output without glare
- 10-Year Warranty on full fixture & sensor assembly
- 100,000-hour LED Lifespan

Ordering Matrix

Family	Wattage	Color Temp	Finish
SMSBULLET	2X12	Y	W

2X12 = 24W N = 4000K Neutral A = Bronze
 Y = 3000K Warm W = White