



STEALTH Sensor with twin precision die cast H101 Deluxe shielded floods pre-wired and assembled on universal CU4 cover plate.

Color: White

Weight: 4.3 lbs

<b>Project:</b>	<b>Type:</b>
<b>Prepared By:</b>	<b>Date:</b>

## Technical Specifications

### Compliance

#### UL Listed:

Suitable for wet locations

### Electrical

#### Power Consumption:

1W

#### Surge Protection:

Withstands up to 6000 volts

#### Wall Switch Manual Override:

Two flip logic prevents activation by momentary power outages. Override resets to auto at dawn. No extra wiring needed.

#### RF Immunity:

Circuits fully shielded for maximum radio frequency immunity

### Voltage:

120 Volts AC 60 Hertz

### Switching Capacity:

1000 watts incandescent @ 120 volts, 8 amps

### Sensor Specifications

#### Time Adjustment:

5 seconds to 12 minutes

#### Wide Sensitivity Control:

Adjustable from 100% to 30%

#### Advanced Detection Logic:

Minimizes false triggers

### Photoelectric Control:

Deactivates lights during daylight. Fully adjustable for 24 hour operation or custom applications.

### Detection:

200° view

### Construction

#### Temperature Compensation:

Sensitivity adjusts automatically for consistent detection in hot and cold ambient temperatures

#### Horizontal Lock, No-tool Joints:

Keeps sensing pattern level for fast, error-free installation

**Technical Specifications (continued)**

**Construction**

**Floodlights:**

Precision die cast aluminum. 1/2" NPS threaded arm with serrated locking swivel fits all standard mounting boxes and covers.

**Lens Mask:**

Customized press apply lens mask included to reduce coverage easily

**LED Characteristics**

**LED Detection Indicator:**

Shows when sensor is detecting in daytime and glows red at night for "on-guard" deterrence

**Color Matched Lens:**

Dark lens with bronze units, white lens with white units

**Optical**

**Lamp:**

Accepts PAR38 lamps, 150 watt max. Lamps are not supplied.

**Other**

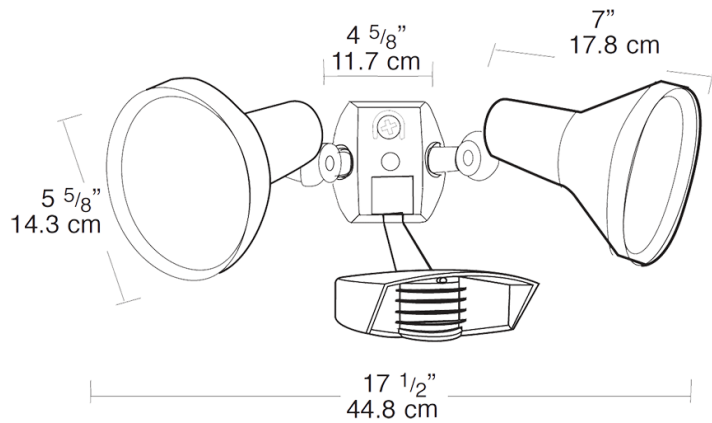
**Warranty:**

10 year sensor warranty

**Buy American Act Compliance:**

RAB values USA manufacturing! Upon request, RAB may be able to manufacture this product to be compliant with the Buy American Act (BAA). Please contact customer service to request a quote for the product to be made BAA compliant.

**Dimensions**



**Features**

- Temperature compensation
- Radio frequency immunity
- 6000 volt surge protection
- LED detection & "on guard" indicator
- Color matched vandal resistant lens and grill
- Protected manual override with auto reset
- Can be wired in parallel