

Project:	Type:
Prepared By:	Date:

Driver Info		LED Info	
Type	Constant Current	Watts	12W
120V	0.1A	Color Temp	4000K (Neutral)
208V	0.065A	Color Accuracy	90 CRI
240V	0.055A	L70 Lifespan	50,000 Hours
277V	0.05A	Lumens	979
Input Watts	12W	Efficacy	75

Technical Specifications

Compliance

UL Listed:

Suitable for wet locations

ENERGY STAR V2.2:

This product is ENERGY STAR® Version 2.2 Certified.

Energy Star Model Number:

DLW0048

NEC Compliant:

Suitable for use in closets. Compliant with NEC Sec. 410.16 (A)(1) and 410.16 (C5).

California Title 24:

Can be used to conform with the requirements of California Title 24 Part 6.

Electrical

Dimming Driver:

Driver includes dimming control wiring for 0-10V dimming systems. Requires separate 0-10V DC dimming circuit. Dims down to 10%.

Power Factor:

≥0.9

Remote Driver:

Die-cast metal driver / junction box with a hinged cover.

Listed for 12AWG and 14AWG conduit. Includes two metal knockouts for wiring. Quick connectors included.

Plenum rated cable connector to connect from module to remote driver box.

PF:

≥0.9

Input Voltage:

120V through 277V

Operating Frequency (Hz):

50/60Hz

Performance

Lifespan:

50,000-Hour LED lifespan based on IES LM-80 results and TM-21 calculations

R9 Value:

High color performance with R9 greater than or equal to 50

Construction

IC Rated:

Suitable for direct contact with insulation.

Type IC inherently protected, suitable for direct contact to air permeable insulation and cULus listed for damp locations.

Not for use in direct contact with spray foam insulation, consult NEMA LSD57-2013.

Technical Specifications (continued)

Construction

Air Tight:

Housing certified Air Tight as per ASTM E283

Edgelit Design:

Allows for extremely thin fixture depth for any ceiling application

Trim Style:

Baffle Trim

Housing:

Made from precision die-cast aluminum construction, dissipates heat from electrical components

Cold Weather Starting:

The minimum starting temperature is -30°C (-22°F)

Maximum Ambient Temperature:

Suitable for use in up to 40°C (104°F)

Lens:

Frosted polycarbonate diffusion lens

Green Technology:

Mercury and UV free. RoHS-compliant components.

Mounting:

Robust retention clips spring loaded tabs ensure the fixture is securely installed. Can be installed in 1/4" to 1 1/2" thick ceilings.

Finish:

Matte White

Optical

Beam Angle:

120°

LED Characteristics

LEDs:

Long-life, high-efficacy, surface-mount LEDs

Flicker:

Silent and flicker free operations of less than 30%

Other

Wattage Equivalency:

75W Incandescent

Template:

Template included for easy ceiling cut out

Warranty:

RAB warrants that our LED products will be free from defects in materials and workmanship for a period of five (5) years from the date of delivery to the end user, including coverage of light output, color stability, driver performance and fixture finish. RAB's warranty is subject to all terms and conditions found at rablighting.com/warranty.

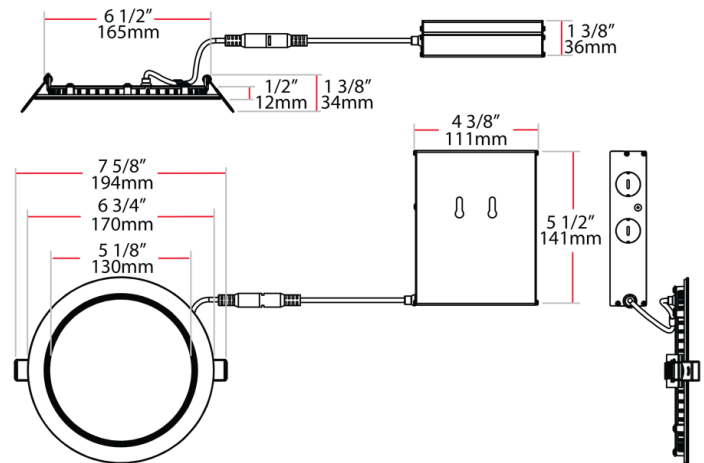
Buy American Act Compliance:

RAB values USA manufacturing! Upon request, RAB may be able to manufacture this product to be compliant with the Buy American Act (BAA). Please contact customer service to request a quote for the product to be made BAA compliant.

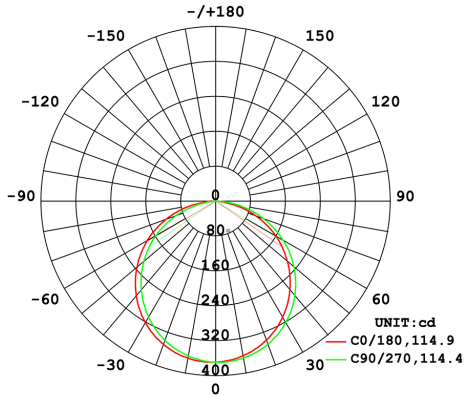
Case and Pallet Dimensions

	QTY	LENGTH (in)	WIDTH (in)	HEIGHT (in)
CASE	6	14.65	7.91	8.31
PALLET	360	6.97	2.36	33.23

Dimension



Light Distribution



Features

- Super slim Edge-lit fixture for thin fixture depth
- No recessed housing or J-box required
- New construction or retrofit applications
- UL wet location rated
- Smooth diffused uniform light distribution
- Dimmable down to 5% on compatible dimmers
- Spring loaded retention clips
- Robust, die cast aluminum construction
- IC and airtight rated
- 5-Year, No-Compromise Warranty

Ordering Matrix

Family	Size	Shape	Wattage	CRI/Color Temp	Voltage	Finish	Trim
WFR	6	R	12	940	UNV	W	B
	3 = 3"	R = Round	8 = 550lm	940 = 90 CRI, 4000K Neutral	120 = 120V (Phase Dimming)	W = White	B = Baffle
	4 = 4"		9 = 550lm	935 = 90 CRI, 3500K Warm Neutral	UNV = 120-277V (0-10V Dimming)		S = Smooth
	6 = 6"		12 = 750lm-900lm	930 = 90 CRI, 3000K Warm			
	8 = 8"		14 = 950lm	927 = 90 CRI, 2700K Residential Warm			
			15 = 1150lm	840 = 80 CRI, 4000K Neutral			
			24 = 1900lm	835 = 80 CRI, 3500K Warm Neutral			
				830 = 80 CRI, 3000K Warm			
				827 = 80 CRI, 2700K Residential Warm			