



Ultra-economy field adjustable X17 is available in three sizes and a total of 6 lumen packages, all with a wide 7H x 6V NEMA distribution that makes them the optimal floodlight for a large variety of general-purpose applications. 0-10V dimming is standard on all models.

Color: Bronze

Weight: 5.1 lbs

Project:

Type:

Prepared By:

Date:

### Driver Info

Type	Constant Current
120V	0.80A
208V	0.45A
240V	0.40A
277V	0.32A
Input Watts	82/78.8/82.1W

### LED Info

Watts	80W
Color Temp	3000K/4000K/5000K
Color Accuracy	83/85/84 CRI
L70 Lifespan	100,000 Hours
Lumens	10712/11509/11325
Efficacy	130.7/146.1/138 lm/W

## Technical Specifications

### Field Adjustability

#### Field Adjustable:

Color temperature selectable by 3000K, 4000K and 5000K

### Compliance

#### UL Listed:

Suitable for wet locations

#### IESNA LM-79 & LM-80 Testing:

RAB LED luminaires and LED components have been tested by an independent laboratory in accordance with IESNA LM-79 and LM-80.

#### DLC Listed:

This product is listed by Design Lights Consortium (DLC) as an ultra-efficient premium product that qualifies for the highest tier of rebates from DLC Member Utilities. Designed to meet DLC 5.1 requirements.

DLC Product Code: PLZ4SRQ1NNVK

### Electrical

#### Driver:

Constant Current, Class 2, 120-277V, 50/60Hz, 120V: 0.80A, 208V: 0.45A, 240V: 0.40A, 277V: 0.32A

#### Dimming Driver:

Driver includes wiring for 0-10V dimming systems. Dim as low as 10%.

#### THD:

3.46% at 120V, 11.53% at 277V

#### Power Factor:

99.6% at 120V, 93.3% at 277V

#### Photocell:

120-277V selectable photocell that can be turned on and off.

#### Note:

All values are typical (tolerance +/- 10%)

### LED Characteristics

#### LEDs:

Long-life, high-efficacy, surface-mount LEDs

#### Color Uniformity:

RAB's range of Correlated Color Temperature follows the guidelines of the American National Standard for Specifications for the Chromaticity of Solid State Lighting (SSL) Products, ANSI C78.377-2017.

### Construction

#### IP Rating:

Ingress protection rating of IP65 for dust and water

#### Cold Weather Starting:

The minimum starting temperature is -40°C (-40°F)

## Technical Specifications (continued)

### Construction

**Maximum Ambient Temperature:**

Suitable for use in up to 40°C (104°F)

**Housing:**

Precision die-cast aluminum

**Mounting:**

Robust knuckle mount with 180° adjustable swivel arm. Tilt angle in 10° increments.

**Effective Projected Area:**

EPA = 0.79

**Lens:**

Tempered glass

**Reflector:**

Polycarbonate

**Finish:**

Formulated for high durability and long-lasting color

**Green Technology:**

Mercury and UV free. RoHS-compliant components.

### Optical

**NEMA Type:**

NEMA Beam Spread of 7H x 7V

### Other

**5 Yr Limited Warranty:**

The RAB 5-year, limited warranty covers light output, driver performance and paint finish. RAB's warranty is subject to all terms and conditions found at [rablighting.com/warranty](http://rablighting.com/warranty).

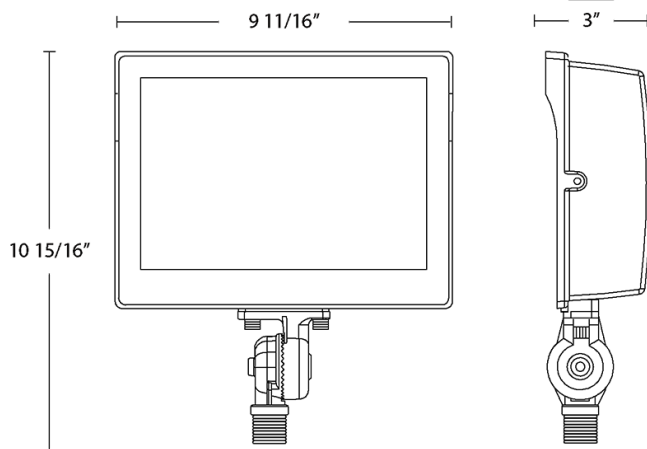
**Equivalency:**

Equivalent to 400W Metal Halide

**Buy American Act Compliance:**

RAB values USA manufacturing! Upon request, RAB may be able to manufacture this product to be compliant with the Buy American Act (BAA). Please contact customer service to request a quote for the product to be made BAA compliant.

## Dimensions



## Features

DLC Premium listed

IP65 Rated

100,000-Hour LED lifespan

5-Year, Limited Warranty

## Ordering Matrix

Family	Field Adjustability	Wattage	Mounting	Color Temp	Finish	Voltage	Options
X17	FA	80					
	FA = 2-Way Field Adjustable	15 = 15W 35 = 35W 60 = 60W 80 = 80W 105 = 105W 140 = 140W	Blank = Knuckle SF = Slipfitter T = Trunnion	Blank = 3000/4000/5000K Selectable	Blank = Bronze W = White	Blank = 120-277V /480 = 480V	Blank = Selectable photocell
		15 = 15W 35 = 35W 60 = 60W 80 = 80W 105 = 105W 140 = 140W					