

Color: Bronze

Weight: 5.1 lbs

Project:

Type:

Prepared By:

Date:

### Driver Info

Type	Constant Current
120V	0.80A
208V	0.50A
240V	0.40A
277V	0.35A
Input Watts	39.4-82.1W

### LED Info

Watts	80W
Color Temp	3000K/4000K/5000K
Color Accuracy	83-85 CRI
L70 Lifespan	100,000 Hours
Lumens	5356-11509
Efficacy	130.7-146.1 lm/W

## Technical Specifications

### Field Adjustability

#### 3-Way Field Adjustable:

Field Adjustable Light Output:  
40W/60W/80W (factory default 80W)  
Color temperature (selectable by 3000K, 4000K and 5000K)

### Compliance

#### UL Listed:

Suitable for wet locations

#### IESNA LM-79 & LM-80 Testing:

RAB LED luminaires and LED components have been tested by an independent laboratory in accordance with IESNA LM-79 and LM-80.

#### DLC Listed:

This product is listed by Design Lights Consortium (DLC) as an ultra-efficient premium product that qualifies for the highest tier of rebates from DLC Member Utilities. Designed to meet DLC 5.1 requirements.  
DLC Product Code: PLTHPHCP1VH8

### Electrical

#### Driver:

Constant Current, Class 2, 120-277V, 50/60Hz, 120V: 0.80A, 208V: 0.50A, 240V: 0.40A, 277V: 0.35A

### Dimming Driver:

Driver includes wiring for 0-10V dimming systems. Dim as low as 10%.

#### THD:

3.46% at 120V, 11.53% at 277V

#### Power Factor:

99.6% at 120V, 93.3% at 277V

#### Photocell:

120-277V selectable photocell that can be turned on and off.

#### Note:

All values are typical (tolerance +/- 10%)

### LED Characteristics

#### LEDs:

Long-life, high-efficacy, surface-mount LEDs

#### Color Uniformity:

RAB's range of Correlated Color Temperature follows the guidelines of the American National Standard for Specifications for the Chromaticity of Solid State Lighting (SSL) Products, ANSI C78.377-2017.

### Construction

#### IP Rating:

Ingress protection rating of IP65 for dust and water

#### Cold Weather Starting:

Minimum starting temperature is -40°C (-40°F)

## Technical Specifications (continued)

### Construction

#### Maximum Ambient Temperature:

Suitable for use in up to 40°C (104°F)

#### Housing:

Precision die-cast aluminum

#### Mounting:

Robust knuckle mount with 180° adjustable swivel arm. Tilt angle in 10° increments. Trunnion kit is included.

#### Effective Projected Area:

EPA = 0.79

#### Lens:

Tempered glass

#### Reflector:

Polycarbonate

#### Finish:

Formulated for high durability and long-lasting color

#### Green Technology:

Mercury and UV free. RoHS-compliant components.

### Optical

#### NEMA Type:

NEMA Beam Spread of 7H x 7V

### Other

#### Shorting Cap:

Shorting Cap for Twistlock Receptacle

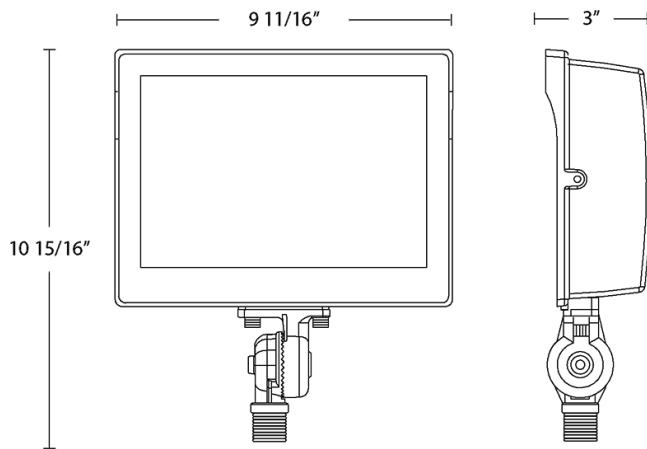
#### 5 Yr Limited Warranty:

The RAB 5-year, limited warranty covers light output, driver performance and paint finish. RAB's warranty is subject to all terms and conditions found at [rablighting.com/warranty](http://rablighting.com/warranty).

#### Buy American Act Compliance:

RAB values USA manufacturing! Upon request, RAB may be able to manufacture this product to be compliant with the Buy American Act (BAA). Please contact customer service to request a quote for the product to be made BAA compliant.

## Dimensions



## Features

- 3-Way field adjustability
- 0-10V Dimming, standard
- 100,000-hour LED lifespan
- Selectable photocell (on/off) included
- 5-Year, Limited Warranty

## Ordering Matrix

Family	Wattage	Color Temp	Mounting	Finish	Voltage	Options
X17XFU	80					
	35 = 35/25/15W <sup>1</sup> 60 = 60/50/30W <sup>2</sup> 80 = 80/60/40W <sup>3</sup>	Blank = 3000/4000/5000K Selectable	Blank = Knuckle SF = Slipfitter T = Trunnion	Blank = Bronze W = White	Blank = 120-277V	Blank = Selectable photocell

<sup>1</sup> 35 model is available only in knuckle mount.

<sup>2</sup> 60 model is available in knuckle mount, slipfitter mount or trunnion mount.

<sup>3</sup> 80 model is available in knuckle mount and slipfitter mount. Knuckle mount includes a trunnion kit.