

SM590i-II-WX

5.25" HIGH
POWER
COAXIAL
SURFACE
MOUNT
SPEAKER WITH
WEATHERX
TECHNOLOGY

SOUNDTUBE
ENTERTAINMENT



Specifications: SM590i-II-WX

Mounting hardware included

Nominal Impedance	8 ohm
Impedance (min)	7.0 ohm
Sensitivity dB @ 2.83V/1M	87.0dB
Sensitivity dB @ 1W/1M (2)	87.0dB
Frequency Response (± 3 dB)	100 Hz - 22 kHz
Frequency Response (± 10 dB)	69 Hz - 22 kHz
Max. Program Power	160W
Max. Continuous Power RMS	80W
Max. Power SPL @ 1 M	106.0dB
Directivity Factor (Q) (Averaged 100Hz - 10kHz, @ 2kHz)	5.7 (Average 100 Hz - 10 kHz) 9.3 (2 kHz)
Directivity Index (DI) dB (Averaged 100Hz - 10kHz, @ 2kHz)	6.0dB (Average 100 Hz - 10 kHz) 9.7dB (2 kHz)
Tap Selector	6 Position rotary switch with transformer bypass
70.7 Volt Transformer Taps	64w / 105.0dB
100 Volt Transformer Taps (dB)	64w / 105.0dB
25 Volt Transformer Taps (dB)	8w / 96.0dB
Transformer Options	25 / 70.7 / 100 Volt option with a 4 Ohm direct
Transducer - Low Frequency Driver	5.25" Polypropylene Cone w/ Butyl Rubber Surround
Transducer - High Frequency Driver	1" Convex Aluminum Tweeter w/ Tractrix Profile Horn
Network Type: High Pass	12dB per octave, 2nd order
Coverage Angle (-6 dB @ 2 kHz)	90 horizontal 90 vertical
Colors	Black or white

SM590i-II-WX

5.25" HIGH
POWER
COAXIAL
SURFACE
MOUNT
SPEAKER WITH
WEATHERX
TECHNOLOGY

SOUNDTUBE
ENTERTAINMENT

Specifications: SM590i-II-WX	Mounting hardware included
Port length	5.18 in
Inputs	4 Pin, 5.08 mm Euroblock for individual or daisy chain connection
Height (SM = Height)	289.6 mm / 11.4 in
Diameter (SM = Width)	212.3 mm / 8.36 in
SM Depth (Including Bracket)	266.2 mm / 10.48 in
Weight	4.3 kg / 9.5 lb
Shipping Weight	5 kg / 11.0 lb
Accessories Included	Safety Cable w/ Speaker Mounting Bolt,- Euroblock Connector, Wall Mount Bracket,- Terminal Weather Boot
Packaging	1 per box
Regulatory - UL	planned
Regulatory - CE	Approved
Regulatory - RoHS	approved
Regulatory - IP	IP44 approved

SM590i-II-WX

5.25" HIGH
POWER
COAXIAL
SURFACE
MOUNT
SPEAKER WITH
WEATHERX
TECHNOLOGY



Description

SoundTube's WX Weather Guard technology utilizes a dual layer hydrophobic material inside the speaker grille to keep water from the drivers and internal electronics in even the most extreme weather conditions. Higher power output for long throw and high SPL requirements. One 5.25-inch polypropylene woofer and one 1.0 inch, tractrix horn-loaded, convex aluminum dome tweeter in a ported enclosure. 87.0 dB average sensitivity offers high output capabilities and reduced amplification costs. Includes stainless steel screws and weatherized components for indoor and outdoor applications. Easy access, six-position selectable tap switch for 25-, 70.7- and 100-volt applications with transformer bypass position. Patented ZeroReflection™ enclosure technology for optimal sound reproduction and cabinet rigidity. Aluminum grille with powder-coat finish. Includes the new SM590i-II Stealth™ bracket mounting system. Vertical and horizontal pivoting allow the SM590i-II-WX to be aimed anywhere within the installation space. Low profile enclosure design keeps the speaker close to the wall. UL 1480 (UEAY) planned. Included Accessories: Safety cable with speaker mounting bolt, Euroblock connector, wall mount bracket and terminal weather boot.

SoundTube

8005 W. 110th St. | Suite 208
Overland Park, KS 66210
Phone 9136635600
Fax 8556635600
Toll Free 8556635600
<https://soundtube.mseaudio.com>
All SoundTube products come with a 5-year limited warranty.

Patented SoundTube Technologies

SoundTube and MSE Audio Group constantly develop new technologies that enhance audio product performance. SoundTube innovations are protected by multiple U.S. and international patents, which explicitly cover SoundTube dispersion, enclosure and dome technologies. MSE Audio Group actively defends its patents in order to protect SoundTube resellers and end users.

Technical Data and Specification

Tools

Technical Data

SoundTube Entertainment strives to provide complete and effective technical information and data to dealers, engineers and designers. All data are available from SoundTube Entertainment or at www.soundtube.com. Technical data and downloads include: EASE™ data - 3-D polar plots. EASE™ Address - 2-D modeling for distributed systems Autodesk® Revit® software Tech Sheets - Technical information and architectural specs for system engineers SoundTubeSPEC™ - Proprietary speaker placement software

Data Acquisition and Verification

All data for SoundTube speakers are independently collected from and verified by NWA Labs (www.nwalabs.com) using their proprietary MACH testing system. All data are collected and analyzed according to ASTM, ISO and AES standards using EASRA, TEF and MLSSA. Full balloon data including both phase and magnitude are compiled into a variety of formats including EASE 4.x, GLL and CLF.

Architectural Specifications

No specifications currently.

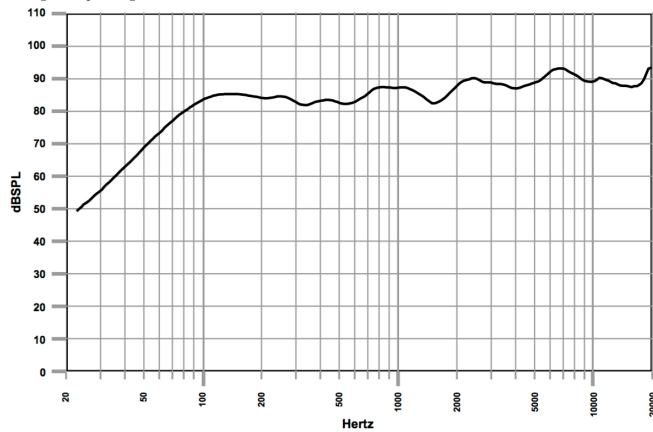
SM590i-II-WX

5.25" HIGH
POWER
COAXIAL
SURFACE
MOUNT
SPEAKER WITH
WEATHERX
TECHNOLOGY

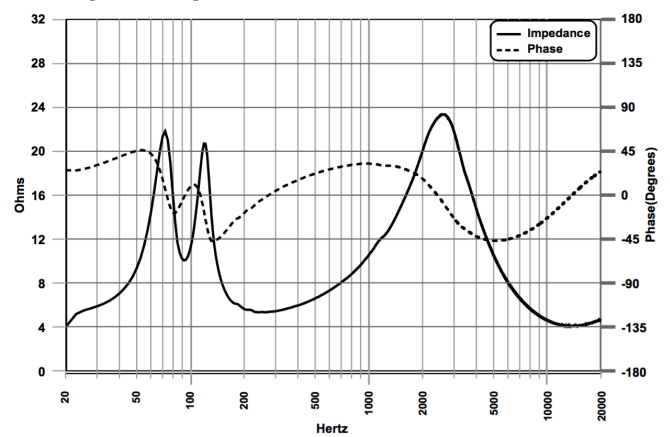


Graphs and Plots

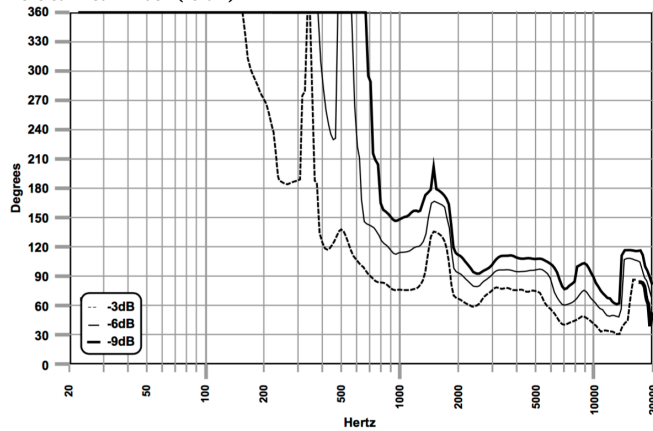
Frequency Response



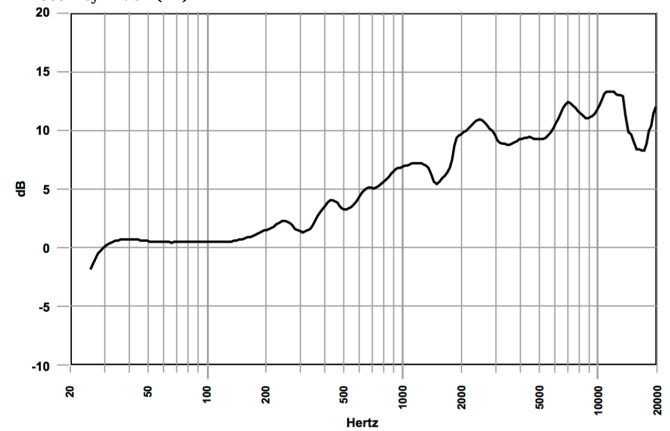
Phase/Impedance Response



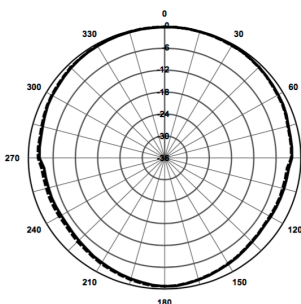
Vertical Beamwidth (-6 dB)



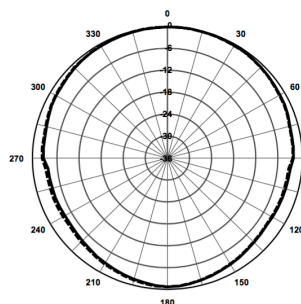
Directivity Index (DI)



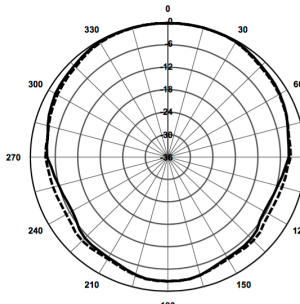
125 Hz



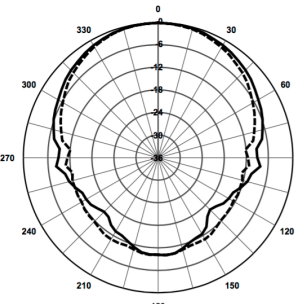
250 Hz



500 Hz



500 Hz



2000 Hz



4000 Hz



8000 Hz



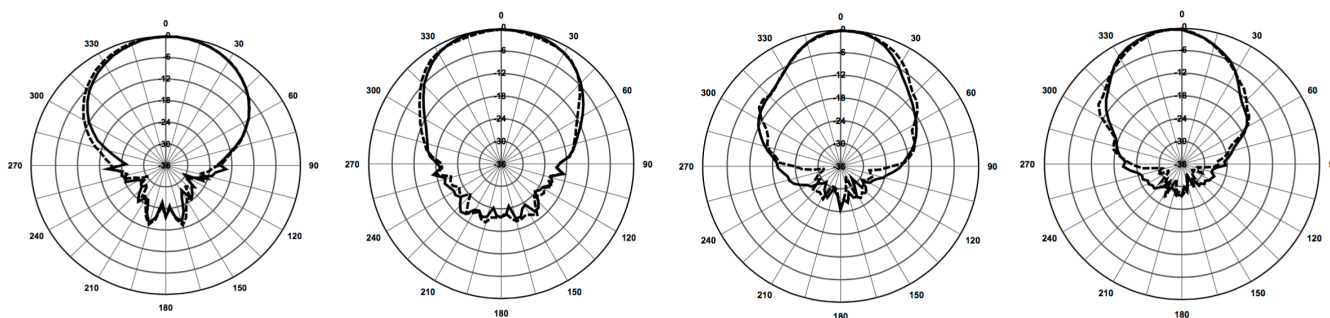
8000 Hz



SM590i-II-WX

5.25" HIGH
POWER
COAXIAL
SURFACE
MOUNT
SPEAKER WITH
WEATHERX
TECHNOLOGY

SOUNDTUBE
ENTERTAINMENT

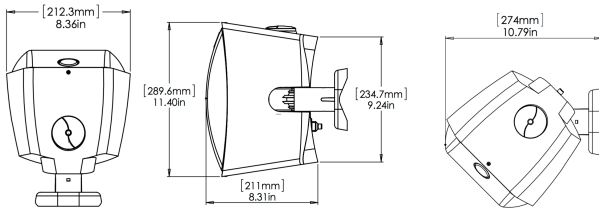


SM590i-II-WX

5.25" HIGH
POWER
COAXIAL
SURFACE
MOUNT
SPEAKER WITH
WEATHERX
TECHNOLOGY

SOUNDTUBE
ENTERTAINMENT

Mechanical Drawings



Included Accessories

**Safety Cable w/ Speaker
Mounting Bolt
Terminal Weather Boot**

Euroblock Connector

Wall Mount Bracket