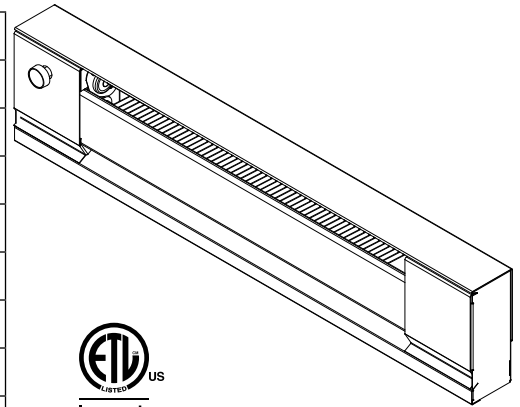




MADE IN THE U.S.A.

2900S SERIES ELECTRIC BASEBOARD HEATER

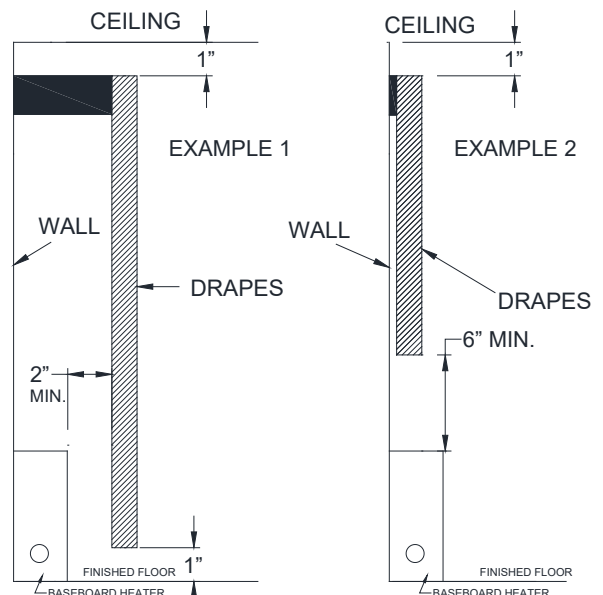
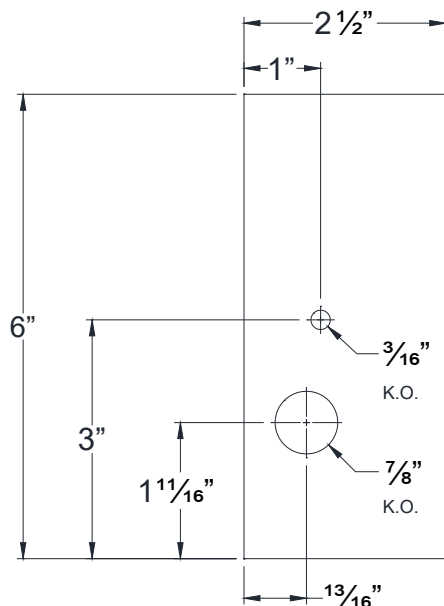
CUSTOMER		DATE:	
PROJECT			
LOCATION			
ARCHITECT			
ENGINEER			
CONTRACTOR			
SUBMITTED BY			
APPROVED BY			
APPROVED BY			



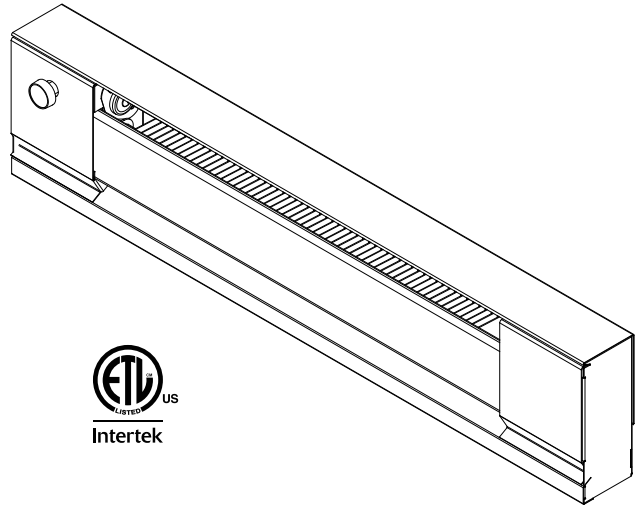
SUBMITTAL DATA SHEET

QTY	MODEL	TAG	WATTAGE	VOLTS	PHASE	AMPS	FINISH	ACCESSORIES	THERMOSTAT	OPTIONS

NOTES/SPECIAL INSTRUCTIONS:



- Available in white or ivory with stainless steel heating element and aluminum fins
- Painted 22 gauge steel front with 20 gauge junction boxes located on each end of the heater - junction boxes contain quick connect cable clamps and 6" ground lead wires
- Over-temperature thermal limit extends entire length of heated area
- A full length wireway provided along the back of the heater - enclosed conduit available
- Heater can be mounted to the wall by using the key hole knockouts every 4" at the back of the heater
- Optional in-built thermostats field installed in the junction box
- For high altitude applications, delete the SW in the model number and add HAW
- Height: 6" Depth: 2 1/2"



Accessories

FIELD INSTALLED ACCESSORIES				
DESCRIPTION	IVORY	WHITE	BANKERS BRONZE	WT. (LBS)
	MFG MODEL NUMBER	MFG MODEL NUMBER	MFG MODEL NUMBER	
Disconnect Switch, 20 Amp, 120-277V	DS	DSW	DSB	1
Corner Sections	CS	CSW	CSB	
1" Joiner Kits	JK	JKW	JKB	1/4
6" Blank Relay Section (Relay Not Included)**	LVRS	LVRSW	LVRSB	1 1/2
Receptacle Section (Baseboard Mounted) 15 Amp 120 VAC	BDR115	BDR115W	BDR115B	1/4
Receptacle Section (Mounted in 6" Blank) 15 Amp 120 VAC	DR115	DR115W	DR115B	
Transfer Switch (Mounted in 6" Blank) 16 Amp 120 VAC	SR120	SR120W	SR120B	2
Transfer Switch (Mounted in 6" Blank) 16 Amp 240 VAC	SR220	SR220W	SR220B	

**Not for use with 24A06-G relay

BLANK SECTIONS				
LENGTH	IVORY	WHITE	BANKERS BRONZE	WT. (LBS)
	MFG MODEL NUMBER	MFG MODEL NUMBER	MFG MODEL NUMBER	
24"	BBS024A	BBS024AW	BBS024C	5
28"	BBS028A	BBS028AW	BBS028C	5 1/2
36"	BBS036A	BBS036AW	BBS036C	6
40"	BBS040A	BBS040AW	BBS040C	7
48"	BBS048A	BBS048AW	BBS048C	8
60"	BBS060A	BBS060AW	BBS060C	10
72"	BBS072A	BBS072AW	BBS072C	12
84"	BBS084A	BBS084AW	BBS084C	15
96"	BBS096A	BBS096AW	BBS096C	17
120"	BBS120A	BBS120AW	BBS120C	20

OPTIONAL WIREWAY COVERS			
MFG MODEL NUMBER	LENGTH (in.)	COVER LENGTH (in.)	WT. (LBS)
WWA01	24"	20	1
WWA02	28"	24	1.5
WWA03	36"	32	2
WWA04	40"	36	2.5
WWA05	48"	44	3
WWA06	60"	56	4
WWA07	72"	68	5
WWA08	84"	80	6
WWA09	96"	92	7
WWA00	120"	116	8

IN-BUILT THERMOSTAT KITS		
MFG MODEL NUMBER	DESCRIPTION	WT. (LBS)
TBS	SPST-In-Built 22A @ 120-240V 18A @ 277V (0°-110F°)	1/2
TBD	DPST-In-Built 22A @ 120-240V 18A @ 277V (0°-110F°)	1/2

Standard Models

IVORY	WHITE	WATTS	BTUs	VOLTS	AMPS	HEATER LENGTH (IN)	WT. (LBS)
MODEL NUMBER	MODEL NUMBER						
E2903-024S	E2903-024SW	375	1275	120	3.1	24	5
F2903-024S	F2903-024SW	375	1275	208	1.8		
H2903-024S	H2903-024SW	375 / 281	1275 / 955	240 / 208	1.6/1.4		
G2903-024S	G2903-024SW	375 / 281	1275 / 955	277 / 240	1.6/1.2		
E2905-028S	E2905-028SW	500	1706	120	4.2	28	6
F2905-028S	F2905-028SW	500	1706	208	2.4		
H2905-028S	H2905-028SW	500 / 375	1706 / 1275	240 / 208	2.1/1.8		
G2905-028S	G2905-028SW	500 / 375	1706 / 1275	277 / 240	1.8/1.6		
E2906-036S	E2906-036SW	600	2040	120	5	36	7
F2906-036S	F2906-036SW	600	2040	208	2.9		
H2906-036S	H2906-036SW	600 / 450	2040 / 1530	240 / 208	2.5/2.2		
G2906-036S	G2906-036SW	600 / 450	2040 / 1530	277 / 240	2.2/1.9		
E2907-040S	E2907-040SW	750	2550	120	6.3	40	8
F2907-040S	F2907-040SW	750	2550	208	3.6		
H2907-040S	H2907-040SW	750 / 563	2550 / 1914	240 / 208	3.1/2.7		
G2907-040S	G2907-040SW	750 / 563	2550 / 1914	277 / 240	2.7.2.6		
E2910-048S	E2910-048SW	1000	3413	120	8.3	48	10
F2910-048S	F2910-048SW	1000	3413	208	4.8		
H2910-048S	H2910-048SW	1000 / 750	3413 / 2550	240 / 208	4.2/3.6		
G2910-048S	G2910-048SW	1000 / 750	3413 / 2550	277 / 240	3.6/3.1		
G2907-048S	G2907-048SW	750	2550	277	3.4	60	12
E2912-060S	E2912-060SW	1250	4250	120	10.4		
F2912-060S	F2912-060SW	1250	4250	208	6		
H2912-060S	H2912-060SW	1250 / 938	4250 / 3189	240 / 208	5.2/4.5		
G2912-060S	G2912-060SW	1250 / 938	4250 / 3189	277 / 240	4.5/3.9	72	14
G2909-060S	G2909-060SW	938	3189	277	3.4		
E2915-072S	E2915-072SW	1500	5100	120	12.5		
F2915-072S	F2915-072SW	1500	5100	208	7.2		
H2915-072S	H2915-072SW	1500 / 1125	5100 / 3825	240 / 208	6.3/4.7	84	16
G2915-072S	G2915-072SW	1500 / 1125	5100 / 3825	277 / 240	5.4/4.7		
G2911-072S	G2911-072SW	1125	3825	277	4.1		
F2917-084S	F2917-084SW	1750	5950	208	8.4		
H2917-084S	H2917-084SW	1750 / 1313	5950 / 4464	240 / 208	7.3/6.3	96	18
G2917-084S	G2917-084SW	1750 / 1313	5950 / 4464	277 / 240	6.3/5.5		
G2913-084S	G2913-084SW	1313	4464	277	4.7		
F2920-096S	F2920-096SW	2000	6826	208	9.6		
H2920-096S	H2920-096SW	2000 / 1500	6826 / 5100	240 / 208	8.3/7.2	120	22
G2920-096S	G2920-096SW	2000 / 1500	6826 / 5100	277 / 240	7.2/6.3		
G2915-096S	G2915-096SW	1500	5100	277	5.4		
F2925-120S	F2925-120SW	2500	8532	208	12		
H2925-120S	H2925-120SW	2500 / 1875	8532 / 6375	240 / 208	10.4/9.0	120	22
G2925-120S	G2925-120SW	2500 / 1875	8532 / 6375	277 / 240	9.0/7.8		
G2918-120S	G2918-120SW	1875	6375	277	6.8		