

V-KP-1

Amplified Keypad with Amazon Alexa Built-in

V-KP-1 WHATS IN THE BOX

What's in the Box

1 Russound V-KP-1 Wall-Mounted
Wi-Fi Amplified Keypad with Amazon Alexa Built-In

1 Removable, Screw-Down 2-pin Power Connector (accepts up to 14AWG wire)

1 Removable, Screw-Down 4-pin Speaker Connector (accepts up to 14AWG wire)

1 Color Change Faceplate (Black)

What you need for the Installation

1 Russound V-PS-2 Power Supply (sold separately, supports up to 2 V-KP-1 touchpads)

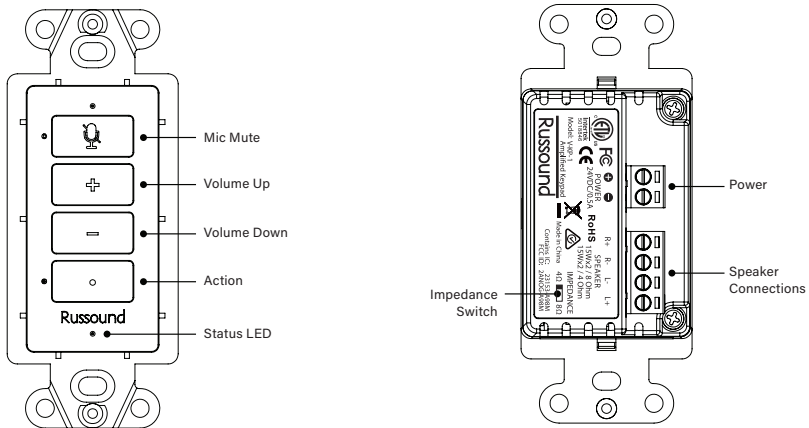
Flat mini-screwdriver for the speaker connectors

Flat Screwdriver for the Wallplate Mounting

#2 Philips Screwdriver for attaching the V-KP-1 to the mounting box

Wire Strippers

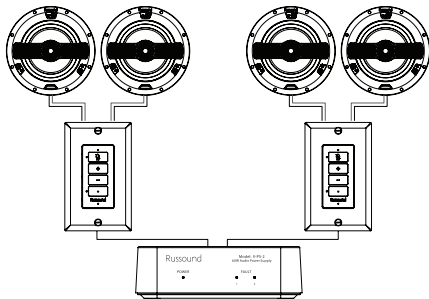
V-KP-1 OVERVIEW



V-KP-1 CONNECTION AND SETUP

Making the Connections

Note: All wiring connections must be made with the system powered off and the V-PS-2 power cord disconnected from the electrical mains (unplugged from the wall outlet).



The **V-KP-1** is very easy to install and only requires two connections: power and loudspeakers.

Power is provided from the V-PS-2 power supply and may be done locally or may be run using CL-2 rated cable up to 100 meters through the home from a central location to the room where the V-KP-1 is mounted.

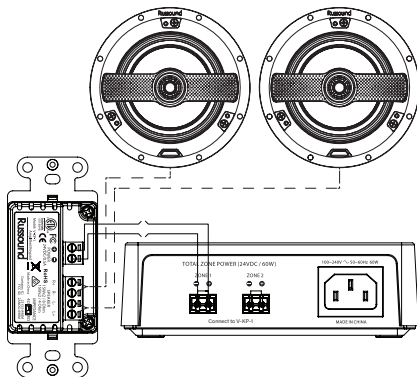
The V-KP-1 is designed to be able to re-use any existing wiring in a home in order to upgrade existing legacy audio system components to a modern, voice-controllable, multi-room audio system.

The majority of existing installed audio systems utilized a "home" run of speaker wires from some central location to a volume control in each of the rooms of the home. From those volume controls, separate speaker wires would then be run within the room to the left and right loudspeakers.

V-KP-1 CONNECTION AND SETUP

If your system used this type of “Home” run wiring, you can use two of those conductors to carry the power from the V-PS-2 Power Supply to the new V-KP-1. The V-KP-1 would be mounted in the same location as the previous volume control and the existing wires to the room’s loudspeakers would be switched from the previous volume control to the new V-KP-1.

The V-PS-2 includes important safety features such as over-current, over-temperature and short-circuit protection and can even indicate trouble in an existing wiring configuration which is especially critical when utilizing existing wiring in a home to ensure a proper electrical connection.



V-KP-1 NEW INSTALLATION

For a new installation, the location of the V-PS-2 power supply will be based on the wiring being done in the room and around the home at any other rooms. Each V-PS-2 can power up to 2 V-KP-1 wall-mounted amplifiers. Depending on the wiring that will be done at the home, it might be best to locate your power supplies in a central wiring location for the entire home, or in a central location for each floor or section of a home, or in a wiring closet near adjacent rooms, for example.

Loudspeakers will always connect directly to the V-KP-1 and typically those wires are run locally within the room from the loudspeakers to the wall-mounting location. CL2 rated wire must be used when running wire within a home's walls.

When connecting the speaker wires, be sure to observe proper polarity. The positive and negative terminals on the V-KP-1 must correspond with the positive and negative terminals at both the left and right loudspeakers. This is also true

of the power connections between the V-PS-2 power supply and the V-KP-1

Strip ¼" (about 6mm) from each of the conductors for both the left and right loudspeaker connections and insert them into the removable screw-down terminal, making sure to match the proper polarity of each connection. Tighten the screw-down connections securely and make sure that there are no exposed strands that might cause a short-circuit.

Once your speaker connections and power connections have been made to the V-KP-1, you are ready to make the same connections at the V-PS-2 for the power connection.

With the V-PS-2 disconnected from electrical power, strip ¼" (about 6mm) from each of the conductors and insert them into the removable screw-down terminal on the V-PS-2, making sure to match the proper polarity of each connection.

V-KP-1 NEW INSTALLATION

Tighten the screw-down connections securely and make sure that there are no exposed strands that might cause a short-circuit.

Impedance Setting

The V-KP-1 supports both 4-ohm and 8-ohm loudspeaker connections. There is a slider switch at the rear of the V-KP-1 that can be set to either 4 or 8 ohms. The default is 8 ohms. If using the V-KP-1 with a 4-ohm speaker load, set the switch on the back to the 4-ohm position. The switch can be adjusted at any time without needing to power down the device or disconnect the speakers.

Once the connections have been made, connect the V-PS-2 power supply to the electrical mains to power up the system. You will see a green light on the front of the V-PS-2 when it is plugged in.

The V-KP-1 status LED will blink on and off indicating that the device is powered up and awaiting Wi-Fi configuration.

Wi-Fi Configuration

When first powered up, the V-KP-1's LED lights will flash intermittently until the device is ready for use. It will then announce "Connecting to network. This will take from 1 to 3 minutes" and the Status LED will begin to blink green.

It is now ready for connection to your Wi-Fi network.

Your V-KP-1 Wi-Fi connection is configured with the Russound VoicePlay App, available for download from the App Store for iOS devices and from the Google® Play Store for Android® devices. The Russound VoicePlay App is also used to link the V-KP-1 with your Amazon Account.

To connect to your Wi-Fi network and set up your V-KP-1:

Open the VoicePlay app on your phone or tablet. The app will search for any existing VoicePlay devices. If this is your first VoicePlay device, tap on

V-KP-1 NEW INSTALLATION

“Add Device” at the bottom of the search screen and follow the instructions within the app. The app will connect your VoicePlay device to your Wi-Fi network, will check for any available firmware updates, will help you name the device for the room that it is in, and will then guide you through associating it with your Amazon account.

Using your V-KP-1 without an Amazon account

For the best possible experience, and to enable voice control, we strongly recommend associating your VoicePlay device with an Amazon account. If you choose “Not Now” when asked to associate your Amazon account, your V-KP-1 can still be used as a Bluetooth device, and for casting audio such as Spotify Connect. The front panel volume controls on the V-KP-1 will be fully operable.

Enter your Amazon account information when prompted.

Language Selection

After linking your Amazon account to your V-KP-1, you will be prompted to select your preferred language for use with Alexa. Select the appropriate language for you to use for all of your voice interactions with Alexa on the V-KP-1.

Other Settings

Once your V-KP-1 has been linked to your Amazon account, you can access additional settings using the Alexa app and selecting the V-KP-1 from the list of devices on your account

The Alexa app can also be used to select default music services, select any music, and to join rooms for synchronized multiroom music. Up to 10 VoicePlay devices can be synchronized in a home.

V-KP-1 NEW INSTALLATION

Using the V-KP-1 with multiple loudspeakers

You can connect up to 2 pairs of 8 ohm speakers to the V-KP-1. When doing this, make sure to set the V-KP-1 impedance switch on the rear of the device to 4 ohms. All speaker connections should be done in parallel, with both left speakers' positive (+) terminals being connected to the V-KP-1 left + terminal and with both right speakers' negative (-) terminals being connected to the V-KP-1's right - terminal.

Adding additional amplification

If being used in a very large room, or where extra amplification is needed, Russound offers several models of amplifiers with a speaker-level input that can be used with the V-KP-1.

V-KP-1 USING THE KEYPAD WITH SPOTIFY CONNECT

First, make sure:

All devices are on the same Wi-Fi network.

Your Spotify app is installed and up-to-date on your phone/tablet.

From your phone/tablet:

- Open Spotify and play something.
- Tap the Spotify Connect Device icon at the bottom of the screen.
- Tap the V-KP-1 device you want to play to.



Microphone Mute -
Tap here to toggle between
Microphone Mute On and
Mute Off



Volume Up -
Tap here to increase
the volume



Volume Down -
Tap here to decrease
the volume



Action -
Tap here for the Amazon
Alexa Action Button

V-KP-1 SPECIFICATIONS

Privacy Considerations

Your privacy is very important to Russound.

The microphone array of the V-KP-1 can be turned off at any time by pressing the Mic Mute button on the front of the V-KP-1.

When muted, the Mic Mute LED will illuminate red and, in this state, not only is the microphone software disabled, but the entire mic array is also disconnected from its electrical supply and is completely inactive.

In this state, the V-KP-1 cannot be accessed by any voice commands, but could still be used with other audio sources from the VoicePlay app, from the Amazon Alexa app, or with Spotify Connect sources or Bluetooth Audio, etc. To re-enable the microphones, simply tap the Mic Mute button again until the red LED turns off.

V-KP-1 SPECIFICATIONS

Power Output	2 x 15W, 4 or 8 Ohm Selectable
Frequency Response	20-20KHz, +/- 1dB
Distortion	<0.1% (20Hz-20KHz@15W, 4/8 Ohms)
Wi-Fi	802.11 a/b/g/n/ac, 1x1
Audio Formats	MP3, AAC, FLAC, ALAC, WMA and OGG
Mounting Depth behind Faceplate	2.44" (62 mm)
Dimensions (HxWxD)	4.2" x 1.7" x 2.5" (106mm x 42.4mm x 63.6mm)
Maximum Number of V-KP-1 on a network	32
Maximum Number of Synchronized Rooms for Multiroom Music	10



V-KP-1 OPERATION

Using Spotify Connect

Spotify is an award-winning digital music service that gives you on-demand access to over 20 million tracks. Spotify makes it easier than ever to discover, manage and share music with your friends, while making sure that artists get a fair deal.

Spotify lets you listen to millions of songs – the artists you love, the latest hits and discoveries just for you.

Spotify is not only extremely popular in the US but also worldwide. Spotify is available in 57 markets globally, making it the largest worldwide availability of any streaming service. The Spotify Software is subject to third party licenses found here: www.spotify.com/connect/third-party-licenses.

The V-KP-1 supports Spotify Connect, allowing you to play Spotify on your V-KP-1 using the Spotify App on your phone or tablet.

With Spotify Connect, you can listen to your favorite music using the Spotify app as a remote.

In order to get Spotify, the Spotify App must be installed on the phone or tablet that is connected to the same network as your Russound system. The Spotify App is available on the Apple App Store as well as the Google Play Store.

However, in order to use Spotify on your Russound system, a Spotify Premium Account is required.

New users to Spotify can receive a 30-day free trial from Spotify by going to www.spotify.com/freetrial.

V-KP-1 OPERATION

Music Services

Amazon offers a variety of music services that can be accessed using your V-KP-1. The availability of these services varies by country and changes from time to time. An up-to-date list of the services available in each country is available on the Amazon website or through the Alexa app.

Bluetooth® Audio

Your V-KP-1 is designed to pair with phones/tablets to allow you to play the audio content from your favorite apps. To pair your phone or tablet, simply say “Alexa, connect to my phone” and the V-KP-1 will be discoverable by nearby Bluetooth devices. Bluetooth pairing and management of paired devices can also be accomplished through the Alexa app.

Using Amazon Alexa

You’re now ready to start enjoying your favorite music and audio available with a simple voice command like “Alexa, play some music”. You also have access to other great Alexa features like settings, alarms,

timers, asking about the local weather, controlling your Smart Home devices, and accessing your favorite Alexa skills for games, activities, and more. Feel free to explore all that Alexa can do and stay up to date with any new features or skills through the Alexa app.

Factory Reset Procedure

If you ever need to perform a factory reset of your V-KP-1, simply press and hold both the Mic Mute and the Alexa Action buttons simultaneously until you hear a voice confirmation that the factory reset procedure is complete. Performing a Factory Reset will erase all settings and information on the device including its Wi-Fi network connection information. Note: If you are no longer using the V-KP-1, you can delete the V-KP-1 from your device list in your Amazon account using the Alexa app.

a sound relationship

Russound

Russound

1 Forbes Road, Newmarket, NH 03857

Telephone: 603.659.5170

Email: tech@russound.com www.russound.com

©2021 Russound/FMP, Inc. All rights reserved. Russound and the Russound logo are registered trademarks of Russound/FMP, Inc. All other trademarks are the property of their respective owners. Specifications are subject to change without notice. 4.22.2021 Rev. 2