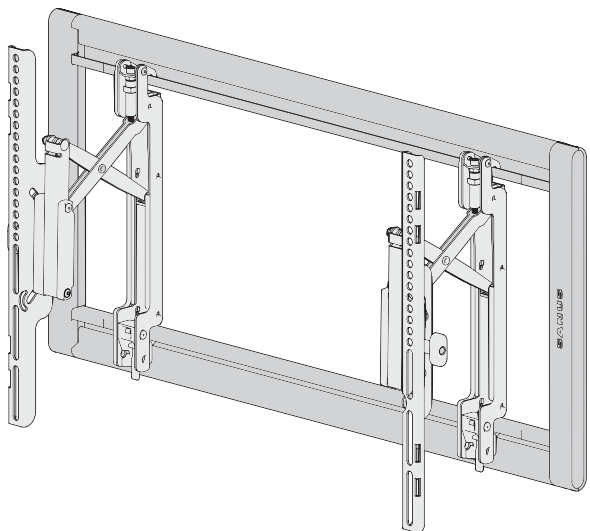


SANUS



VLT7-B2 INSTRUCTION MANUAL

GET IT RIGHT THE FIRST TIME

Follow this step-by-step
instruction manual to
speed up your installation.

Texto en español, página 12

Deutscher Text Seiten 20

Svensk text sida 28

中文文字说明请参见第 36 页

Texte français page 16

Nederlandse tekst op pagina 24

Русский текст: стр. 32

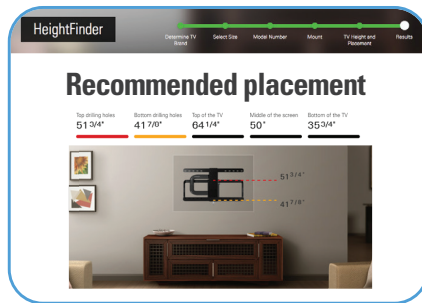
日本語は 40 ページ

WE'RE HERE TO HELP



Want to watch a video that shows how easy this DIY project will be?

Watch it now at:
[SANUS.com/2949](https://www.sanus.com/2949)



Get it right the first time. HeightFinder™ shows you where to drill.

Check it out at:
[SANUS.com/2567](https://www.sanus.com/2567)



Our install experts are standing by to help.

Call us at:
US: 800-359-5520
EMEA: +31 (0) 495 580 852
UK: 0800 056 2853

IMPORTANT SAFETY INSTRUCTIONS

PLEASE READ ENTIRE MANUAL PRIOR TO USE – SAVE THESE INSTRUCTIONS

Please read through these instructions completely to be sure you're comfortable with this easy install process. Check your TV owner's manual to see if there are any special requirements for mounting your TV.

If you do not understand these instructions or have doubts about the safety of the installation, assembly or use of this product, contact Customer Service.

⚠ CAUTION: Avoid potential personal injuries and property damage!

- This product is designed ONLY to be installed into wood stud, solid concrete or concrete block or steel stud walls. — **DO NOT INSTALL INTO DRYWALL ALONE — DRYWALL ALONE WILL NOT HOLD THE WEIGHT OF YOUR TV.**
- This product is designed for **INDOOR USE ONLY**.
- The wall must be capable of supporting five times the weight of the TV and mount combined.
- Do not use this product for any purpose not explicitly specified by manufacturer.
- Manufacturer is not responsible for damage or injury caused by incorrect assembly or use.

TV Weight Limit (including accessories)

DO NOT EXCEED



For **Wood Stud** | Solid **Concrete** or Concrete Block Walls | For **Steel Stud Walls**

If your TV, plus accessories, weighs **MORE** than indicated, this mount is **NOT** compatible.

Visit SANUS.com or call customer service to find a compatible mount.

Wall Construction

ONLY install on these acceptable wall types.

? Unsure

Call Customer Service

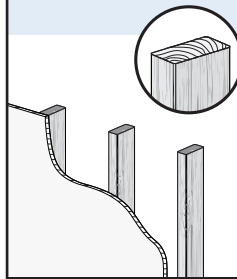
⚠ CAUTION:

DO NOT install in drywall alone

Drywall alone will **NOT** hold the weight of your TV.

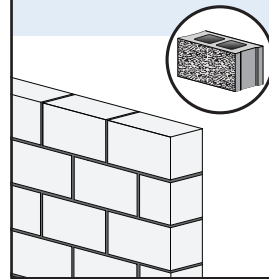


Wood studs



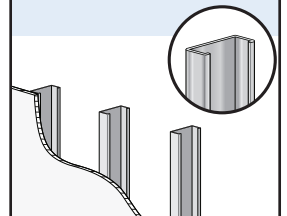
ACCEPTABLE

Solid concrete or concrete block



ACCEPTABLE

Steel studs



Steel stud kit **SSMK1** is required for install, but **NOT INCLUDED**. Call Customer Service

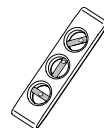
Tools Needed



Tape Measure



Pencil



Level



Screwdriver



Electric Drill



Socket Wrench
1/2 in. (13 mm)

Wood Stud Install

Stud Finder | Awl | 7/32 in. (5.5 mm) Wood Drill Bit

Concrete Install

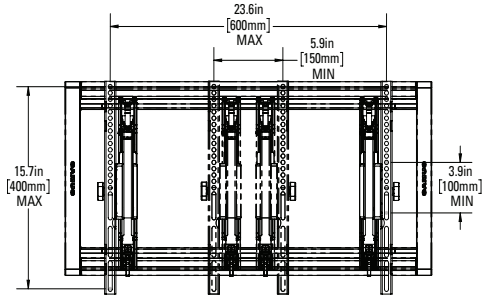
3/8 in. (10 mm) Concrete Drill Bit | Hammer

Steel Stud Install

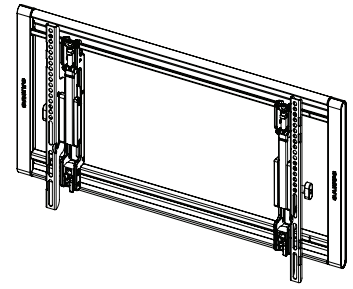
Stud Finder | Awl | 1/2 in. (13 mm) Steel Drill Bit

Dimensions in. [mm]

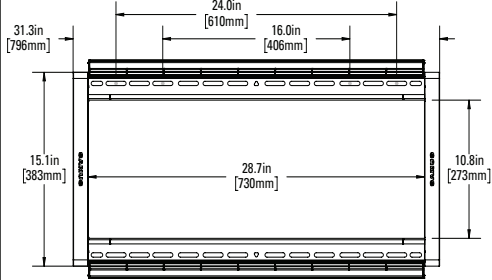
TV INTERFACE



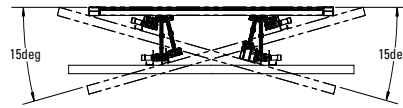
3-D



WALL PLATE

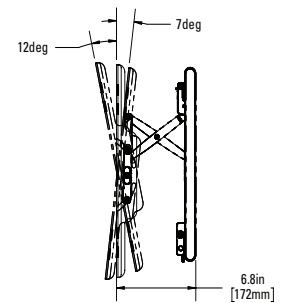


TOP VIEW - EXTENDED

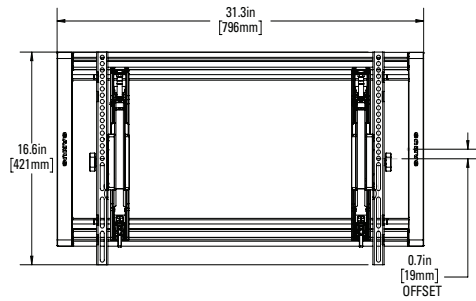


SIMULATED 42" FLAT SCREEN TV WITH 400 MM VESA

SIDE VIEW - EXTENDED



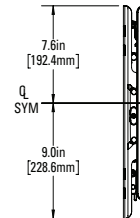
FULLY ASSEMBLED MOUNT



TOP VIEW - RETRACTED



SIDE VIEW RETRACTED

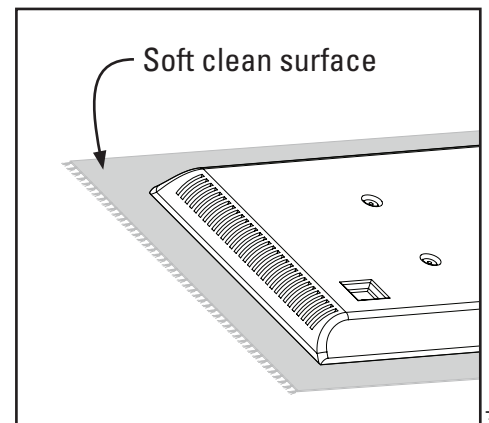
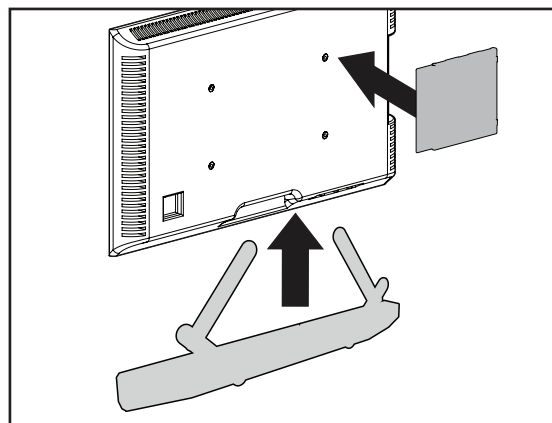
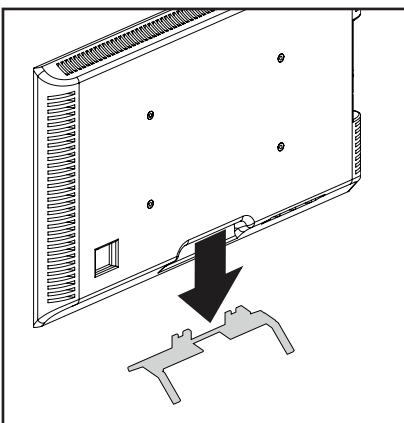


BEFORE YOU BEGIN

Remove the stand from your TV — if attached.

Install any accessories you may have purchased, if they require TV removal prior to assembly. The TV is removable for future accessory purchases.

Protect the face of your TV when laying it down for installation.



STEP 1

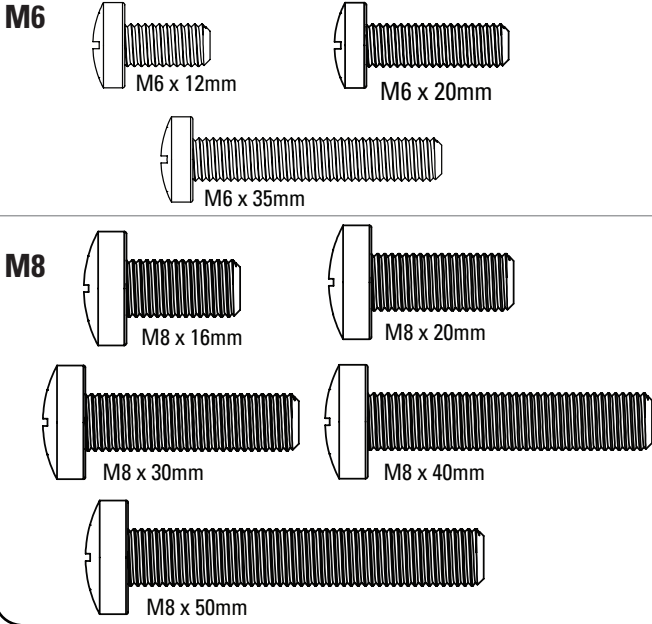
ATTACH TV BRACKET TO TV

Parts and Hardware for STEP 1

⚠ WARNING: This product contains small items that could be a choking hazard if swallowed. Before starting assembly, verify all parts are included and undamaged. If any parts are missing or damaged, do not return the damaged item to your dealer; contact Customer Service. Never use damaged parts!

📄 NOTE: Not all hardware included will be used.

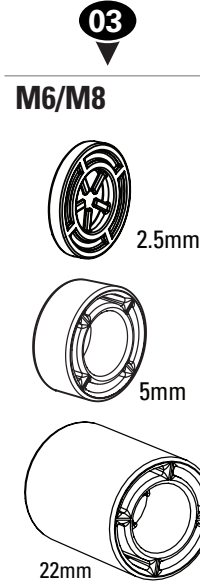
01 TV Screws (qty. 4 each) [Only one size fits your TV]



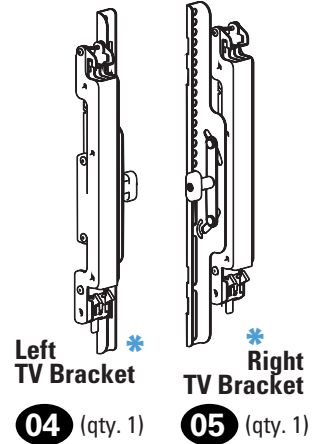
Washers (qty. 4)



Spacers [If necessary] (qty. 4 each)

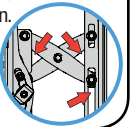


TV Bracket



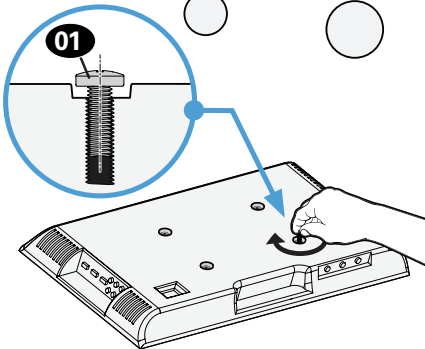
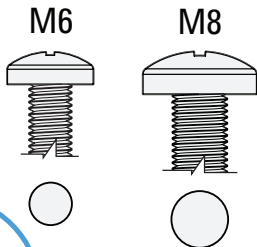
⚠ CAUTION: Avoid potential personal injury or property damage!

* The TV brackets contain potential pinch points during operation. Keep fingers away from pinch points when retracting the TV. (arrows)

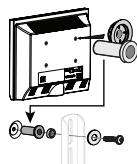


1.1 Select TV Screw Diameter

Only one screw size fits your TV.



📄 NOTE: If your TV included inset spacers or adapters, use them UNDER the mount hardware.

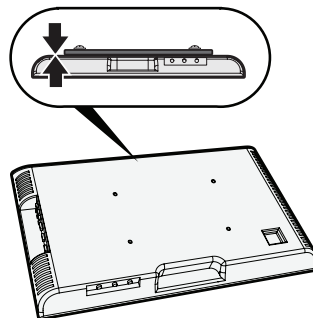


1.2 Select TV Screw Length / Spacers

A NO SPACER

- **Flat Back TV**
[TV brackets lay flat on your TV]

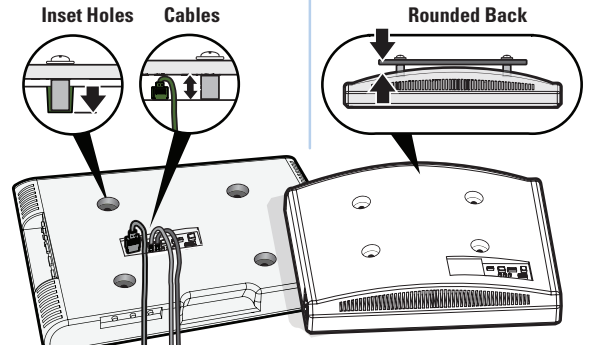
Use **short** TV screws 01. Spacers 03 not needed.



B SPACER NEEDED

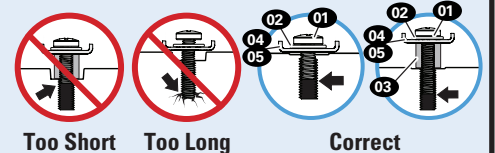
- **Flat Back TV with Extra Space Needed**
[for deep inset holes or cable interference]
- **Rounded or Irregular Back TV**
[TV brackets NOT resting flat on your TV]

Use **long** TV screws 01 and spacers 03 to create extra space between the TV and TV bracket.



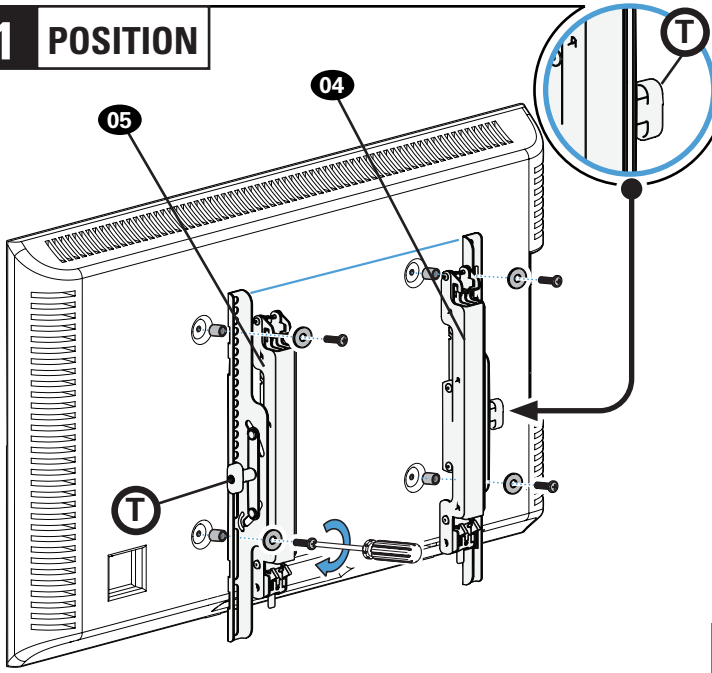
⚠ CAUTION: Verify adequate thread engagement with your screw 01, washer 02, spacer 03 combination AND TV bracket 04/05.

- Too short will not hold your TV.
- Too long will damage your TV.



1.3 Attach TV Bracket Assembly to TV

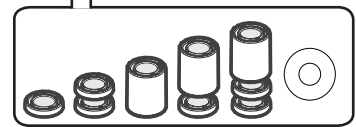
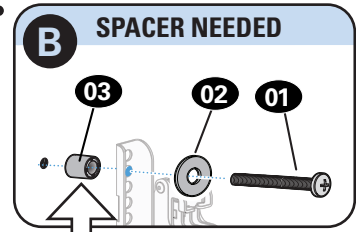
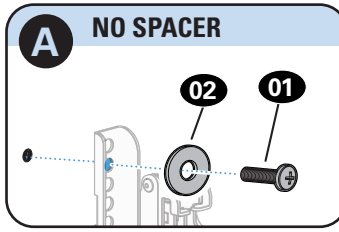
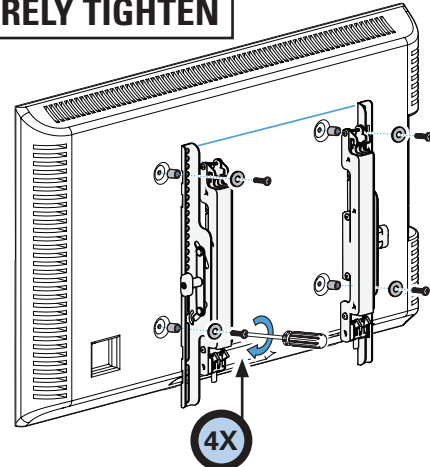
1 POSITION



TIP: The tilt tension knob **T** on TV brackets **04** / **05** should be oriented to the outside edges.

CAUTION: Brackets should be parallel with one another.

2 SECURELY TIGHTEN



STEP 2

ATTACH WALL PLATE TO WALL

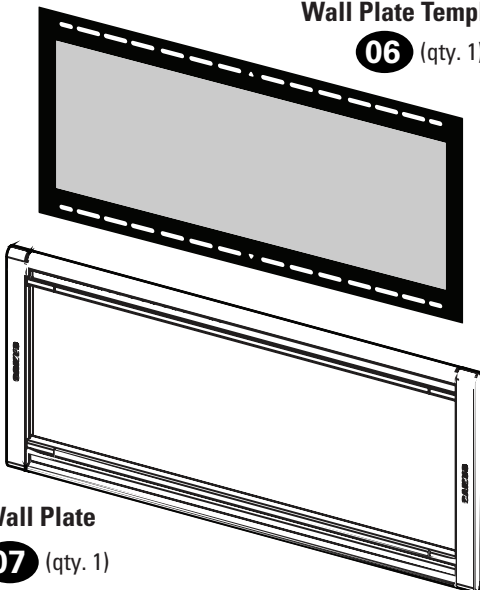
Parts and Hardware for STEP 2

WARNING: This product contains small items that could be a choking hazard if swallowed. Before starting assembly, verify all parts are included and undamaged. If any parts are missing or damaged, do not return the damaged item to your dealer; contact Customer Service. Never use damaged parts!

NOTE: Not all hardware included will be used.

Wall Plate Template

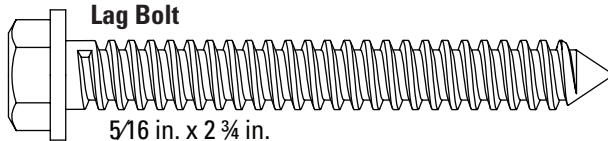
06 (qty. 1)



Wall Plate

07 (qty. 1)

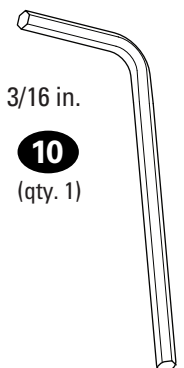
Lag Bolt



5/16 in. x 2 3/4 in.

08 (qty. 4)

Hex Key



3/16 in.

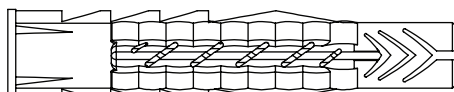
10
(qty. 1)

For concrete installations ONLY

CAUTION: Do not use in drywall or wood

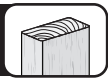
Concrete Anchor

09
(qty. 4)



Fischer UX10 x 60R

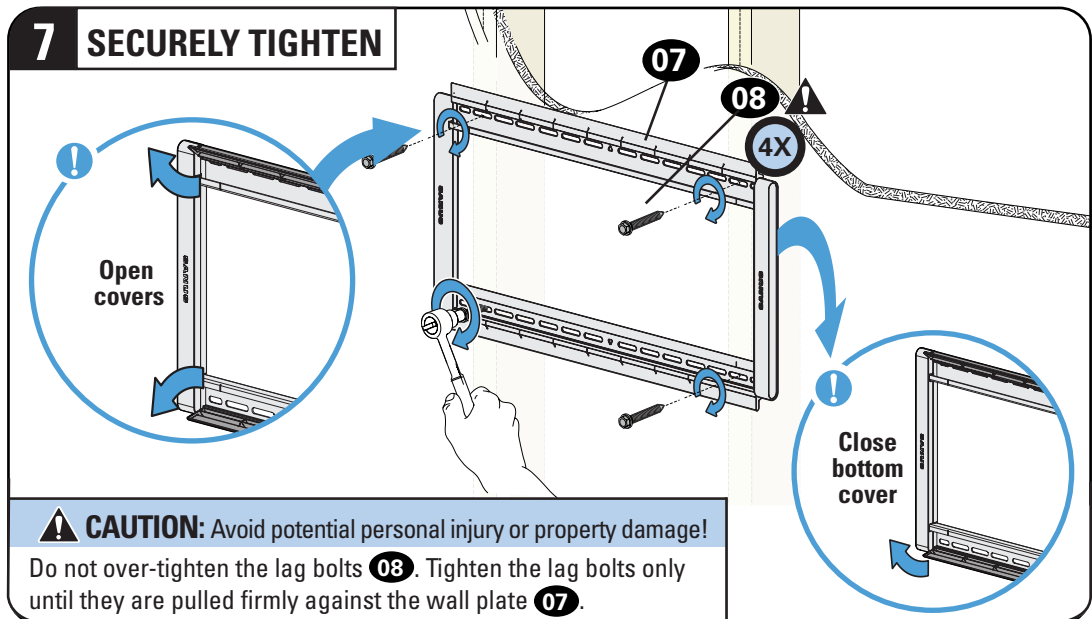
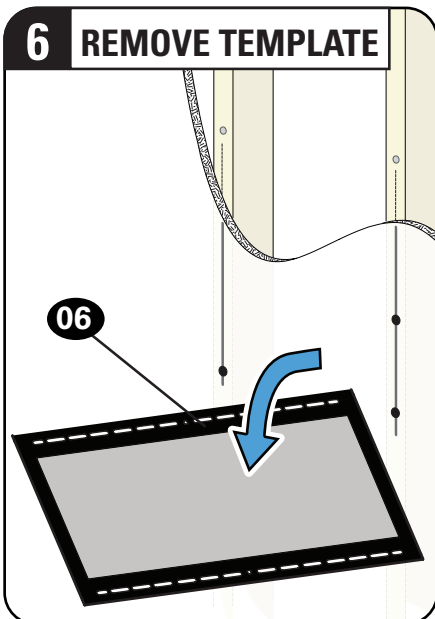
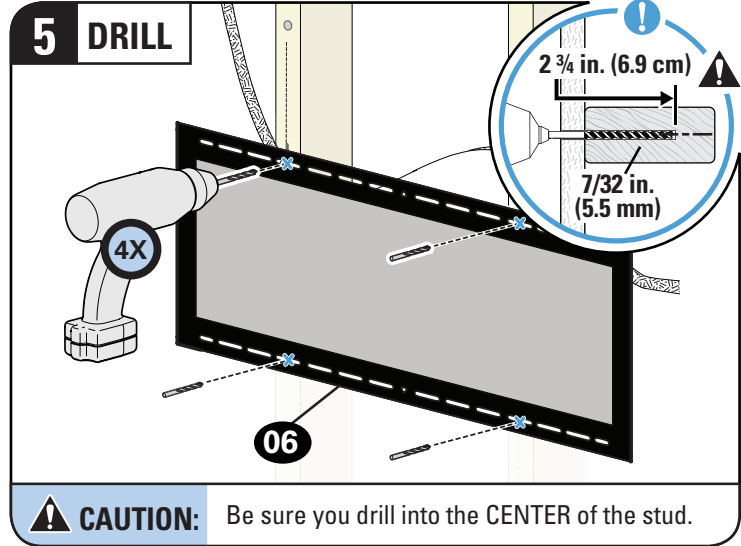
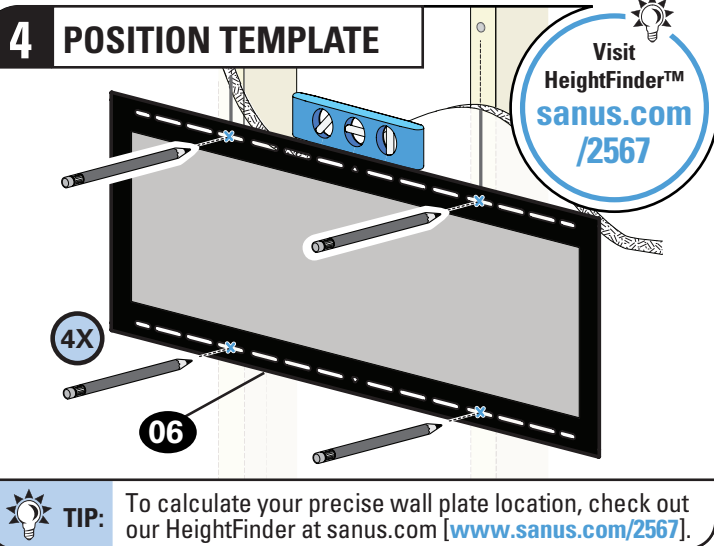
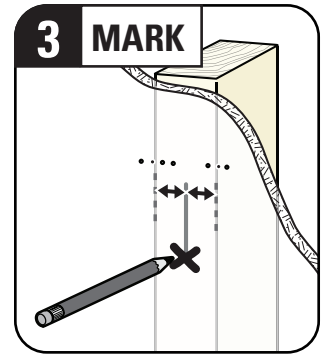
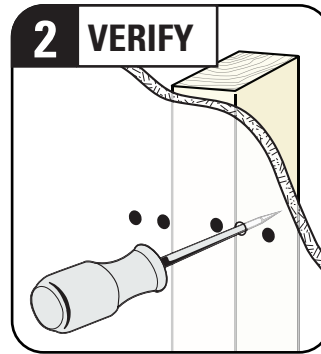
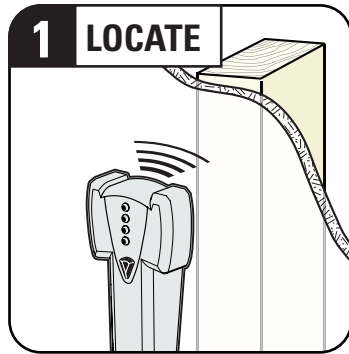
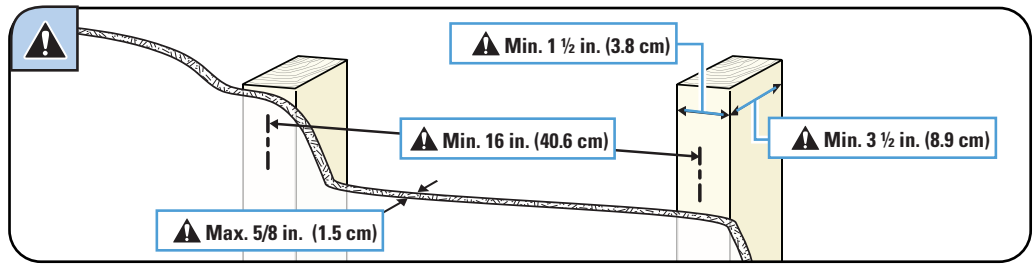
STEP 2A



Wood Stud Installation

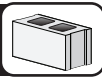
CAUTION: Avoid potential personal injury or property damage!

- Drywall covering the wall must not exceed 5/8 in. (1.5 cm)
- Minimum wood stud size: nominal 2 x 4 in. (5.1 x 10.2 cm) actual 1 1/2 x 3 1/2 in. (3.8 x 8.9 cm)
- Minimum horizontal space between fasteners: 16 in. (40.6 cm)
- Stud centers must be verified



Skip to STEP 3 on PAGE 9.

STEP 2B

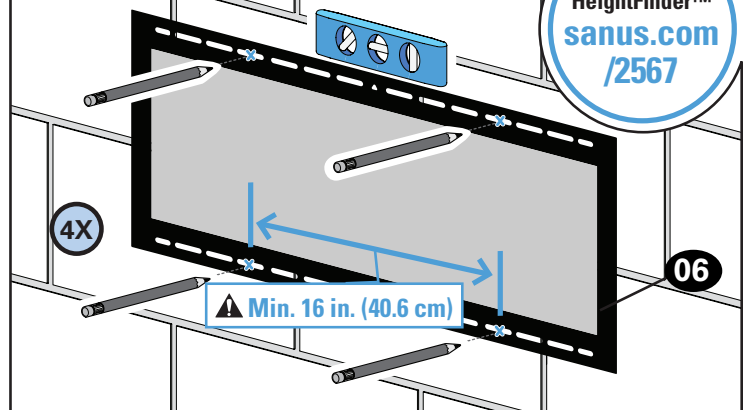


Solid Concrete or Concrete Block Installation

CAUTION: Avoid potential personal injury or property damage!

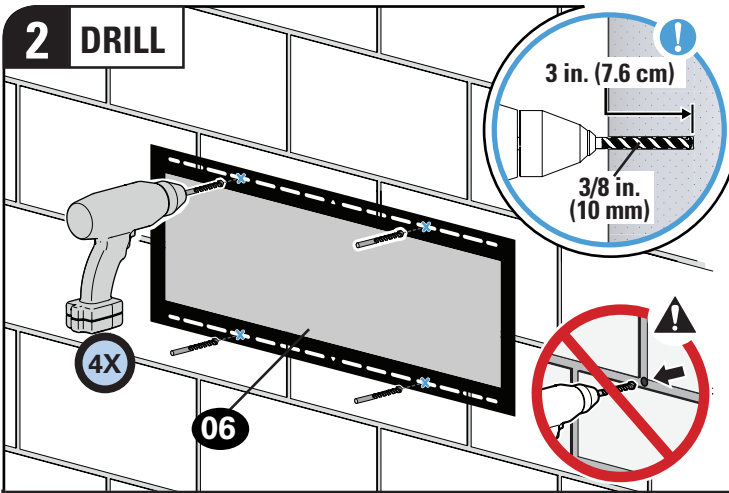
- Mount the wall plate **07** directly onto the concrete surface
- Minimum **solid concrete** thickness: 8 in. (20.3 cm)
- Minimum **concrete block** size: 8 x 8 x 16 in. (20.3 x 20.3 x 40.6 cm)
- Minimum horizontal space between fasteners: 16 in. (40.6 cm)
- **For concrete applications**, TV brackets **04** / **05** must remain centered in wall plate **07**. Keep this in mind when selecting the wall plate location

1 POSITION TEMPLATE



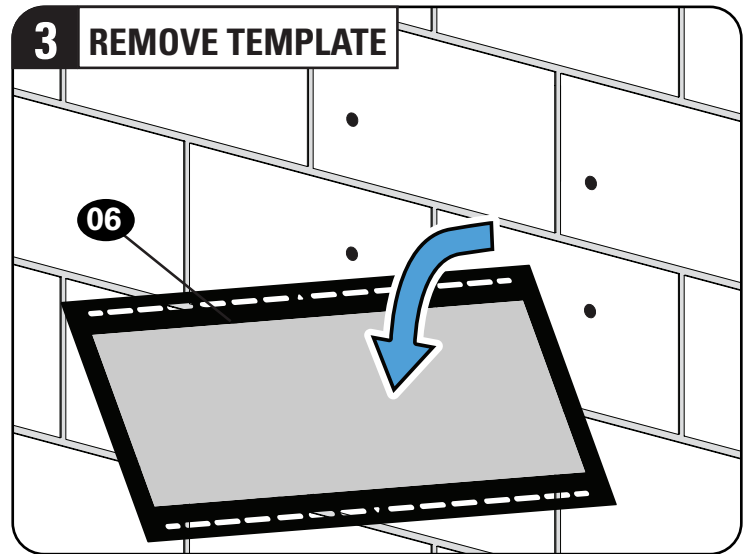
TIP: To calculate your precise wall plate location, check out our HeightFinder at [sanus.com \[www.sanus.com/2567\]](http://www.sanus.com/2567).

2 DRILL

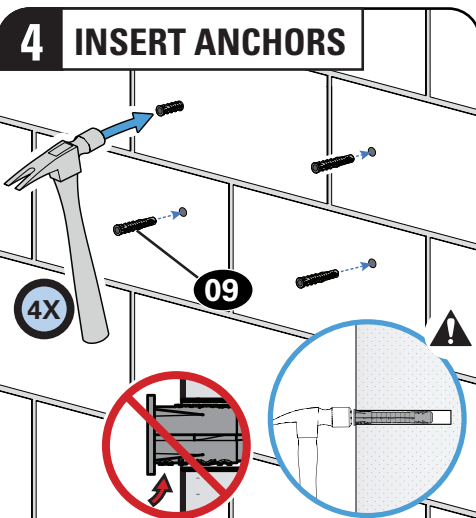


CAUTION: Never drill into the mortar between blocks.

3 REMOVE TEMPLATE



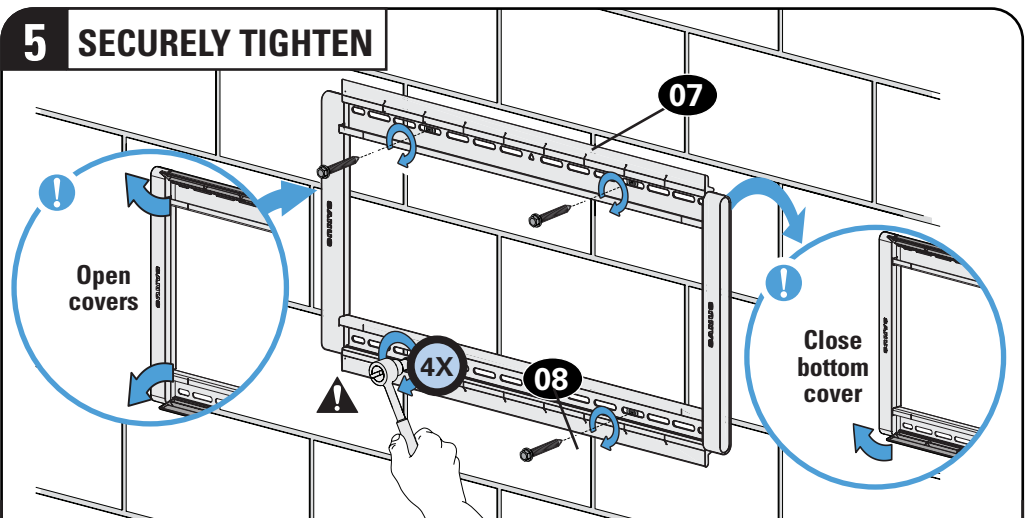
4 INSERT ANCHORS



CAUTION:

Be sure the anchors **09** are seated flush with the concrete surface.

5 SECURELY TIGHTEN

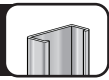


CAUTION: Avoid potential personal injury or property damage!

Do not over-tighten the lag bolts **08**. Tighten the lag bolts only until they are pulled firmly against the wall plate **07**.

Skip to STEP 3 on PAGE 9.

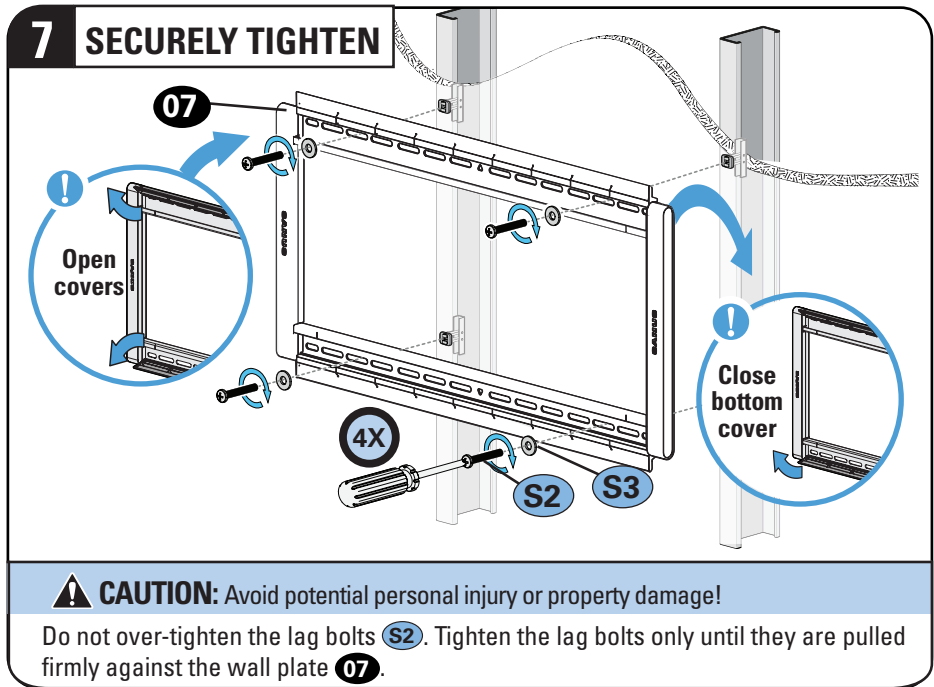
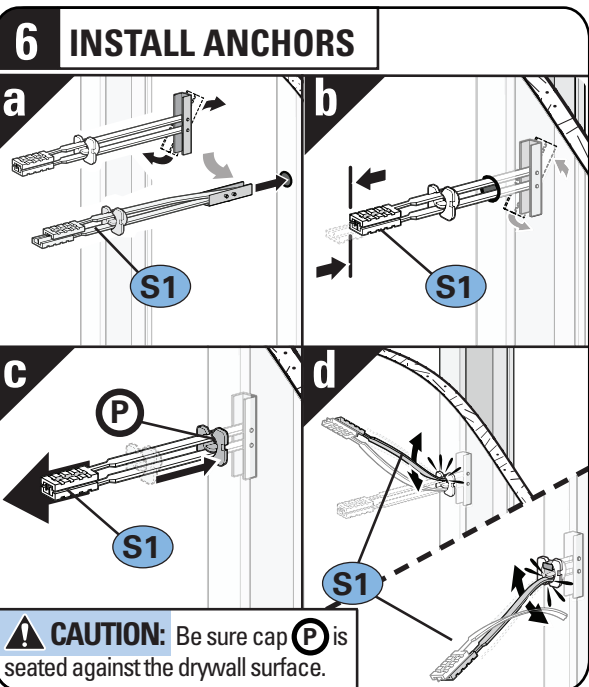
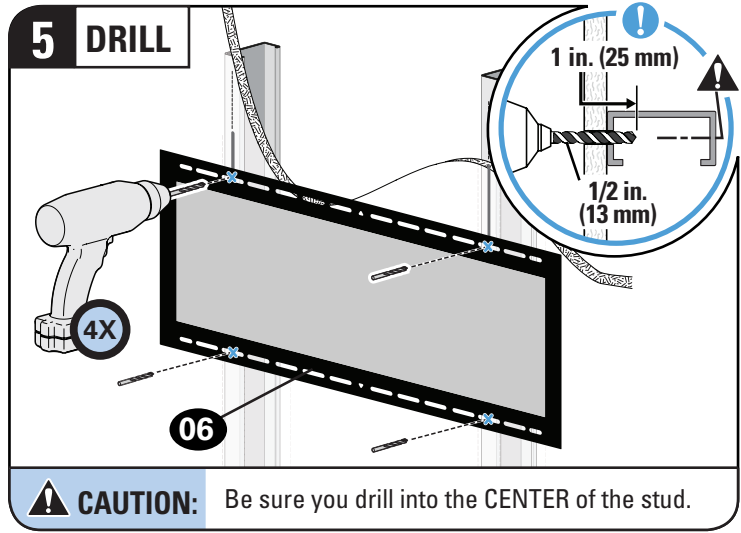
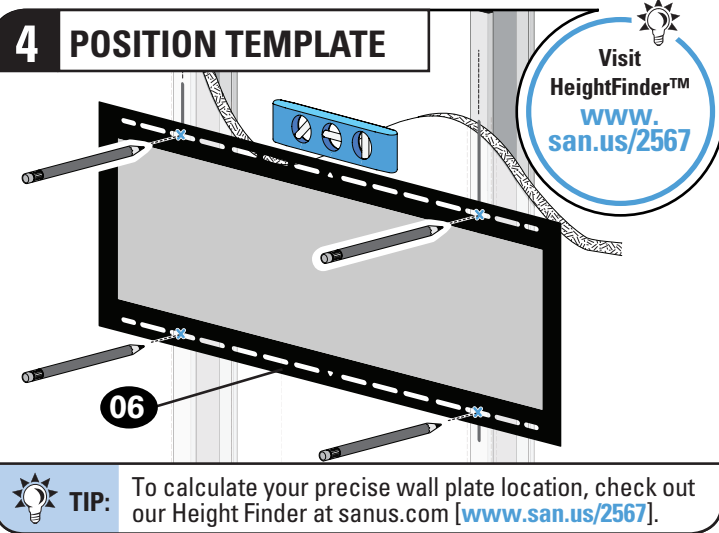
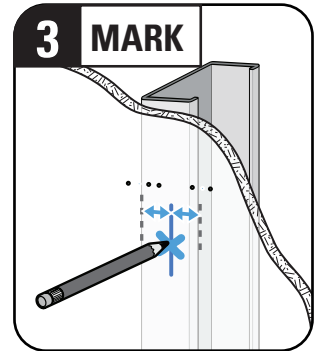
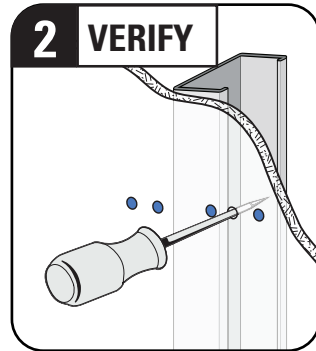
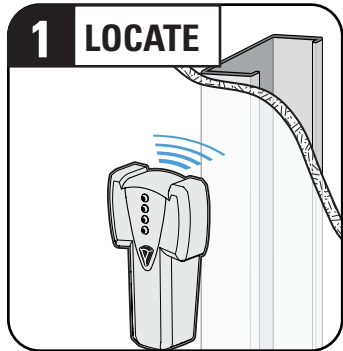
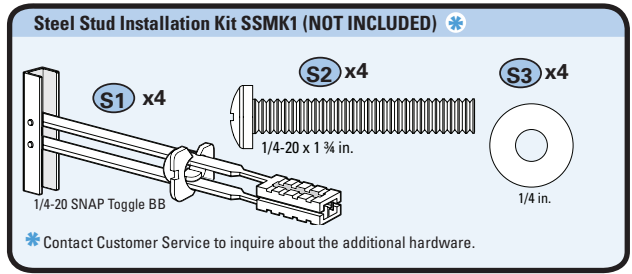
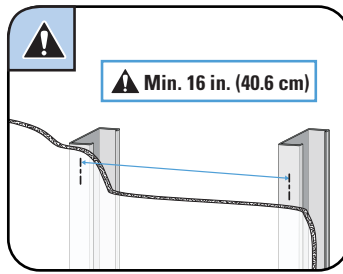
STEP 2C



Steel Stud Installation

CAUTION: Avoid potential personal injury or property damage!

- Studs must be at least 2x4 / 25 ga.
- If back side of wall is unfinished, drywall must be installed to a minimum of one stud left and right of the stud(s) being used to install the mount
- Drywall must be a minimum of 1/2 in. (13 mm) thick on each side of the studs, and a minimum clearance of 1 7/8 in. (48 mm) behind the wall is required
- This product must be centered on the studs
- Stud type and structural strength must conform to the North American Specification for the Design of Cold-Formed Steel Structural Members [362 S 125 18, C-Shape, S - Stud Section]
- Drywall must be secured to studs with screws 12 in. (304.8 mm) on center



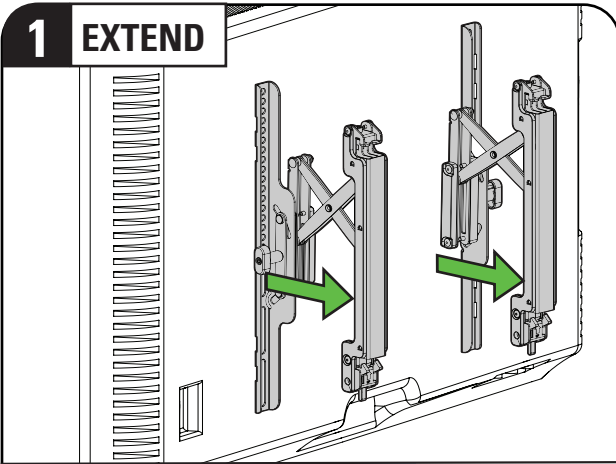
STEP 3

ATTACH TV TO WALL PLATE



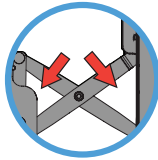
HEAVY! You may need assistance with this step.

1 EXTEND

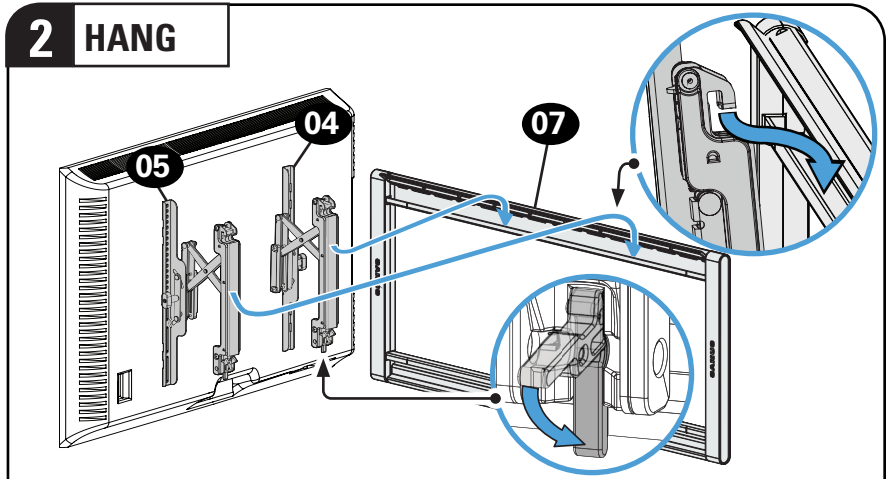


CAUTION: Avoid potential personal injury or property damage!

The TV brackets contain potential pinch points during operation. Keep fingers away from pinch points when retracting the TV. (see arrows)



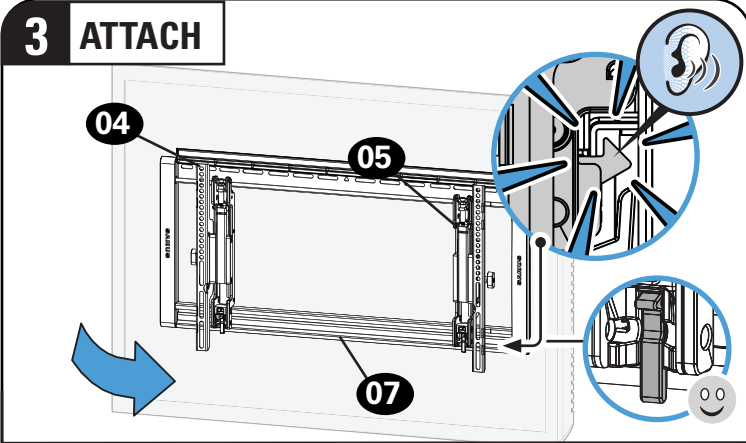
2 HANG



CAUTION: Avoid potential personal injury or property damage!

For **CONCRETE APPLICATIONS:** TV brackets **04** / **05** MUST remain centered in wall plate **07**.
NOTE: For **WOOD STUD APPLICATIONS,** TV brackets **04** / **05** can be slid anywhere along wall plate **07** for optimal positioning of your TV.

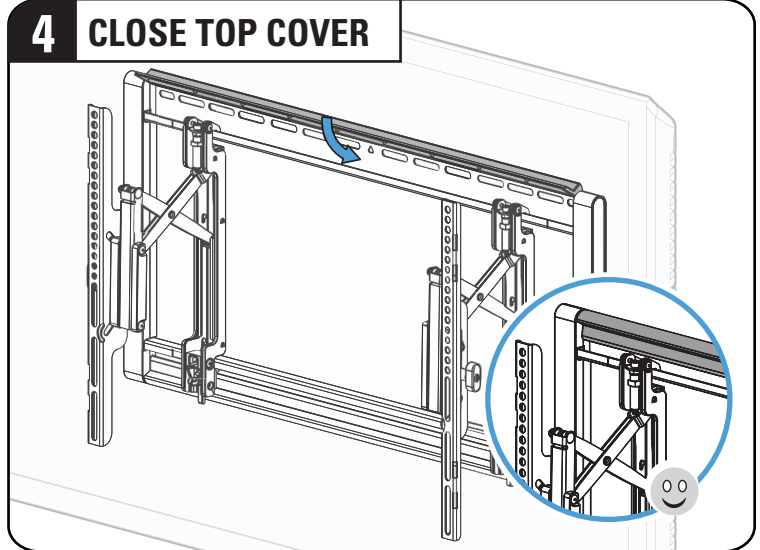
3 ATTACH



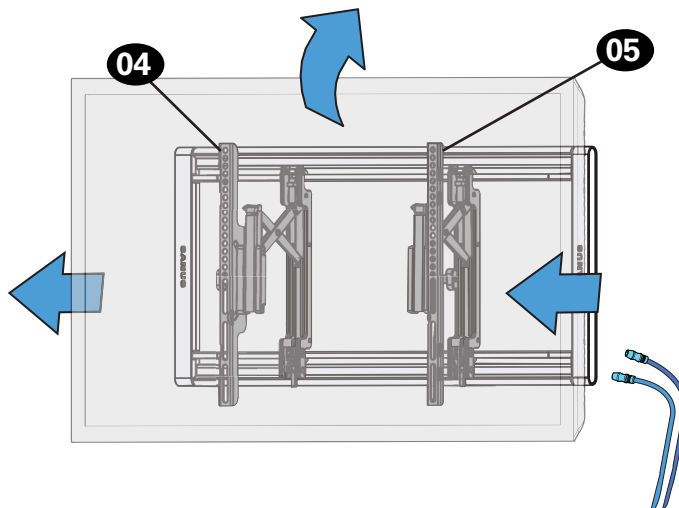
CAUTION: Avoid potential personal injury or property damage!

Always make sure TV brackets **04** / **05** are in the locked position so the TV is securely fastened to the wall plate **07**.

4 CLOSE TOP COVER

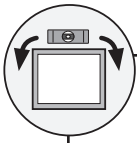


MANAGE CABLES



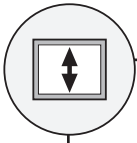
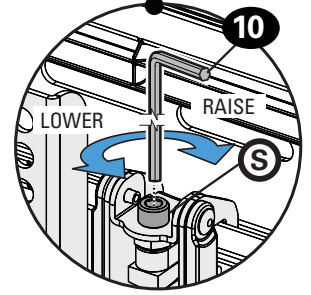
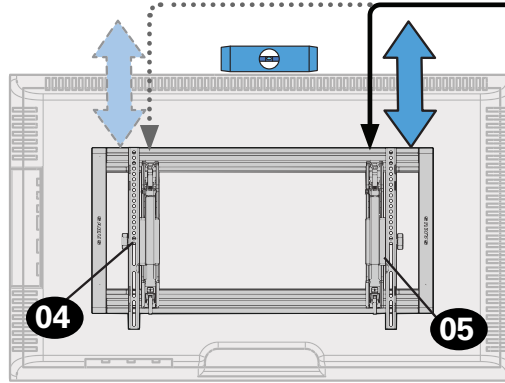
TIP: Extend the TV outward AND tilt the TV up or down to gain better access to the back of the TV.

ADJUSTMENTS



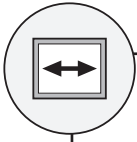
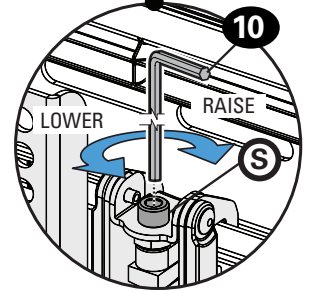
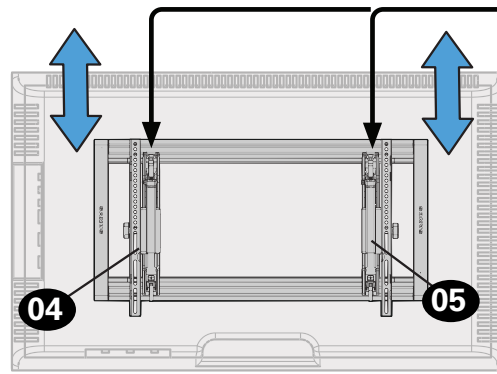
LEVEL

To level your TV, turn the level adjustment screw **(S)** on the top of either TV bracket **(04)** / **(05)** to raise or lower that respective side of the TV.



HEIGHT

Adjust the height by turning the level adjustment screw **(S)** on the top of both TV brackets **(04)** / **(05)**.



SIDE-TO-SIDE SHIFT

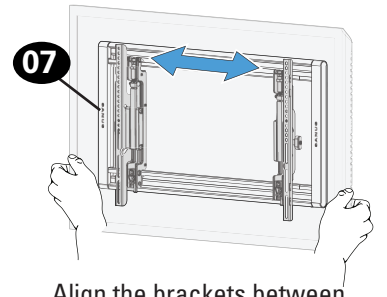


HEAVY! You may need assistance with this step.

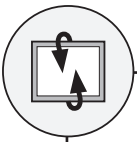
CAUTION: Avoid potential personal injury or property damage!

For **Concrete Applications**, TV brackets **(04)** / **(05)** must be centered between the marks on the wall plate rail **(07)**.

For **Wood Stud Installations ONLY**: Slide the TV left or right along the wall plate **(07)** to reposition.



Align the brackets between the two lines on the wall plate for minimum profile depth.

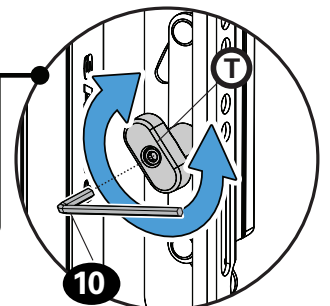
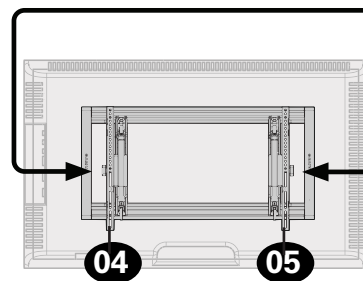
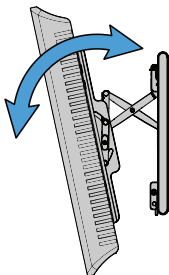


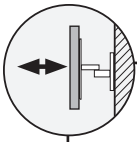
TILT

Your TV should adjust easily when moved, then stay in place.

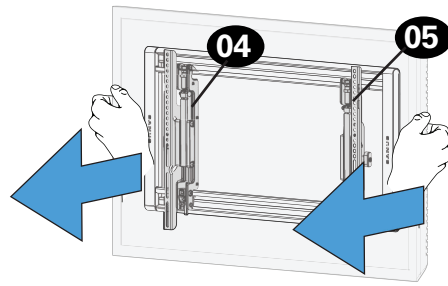
Adjust the tilt tension knob **(T)** if your TV naturally tilts up or down.

NOTE: If you do not intend to adjust the tilt for different viewing locations, you can tighten the tilt tension knobs **(T)** to prevent unwanted movement.





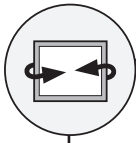
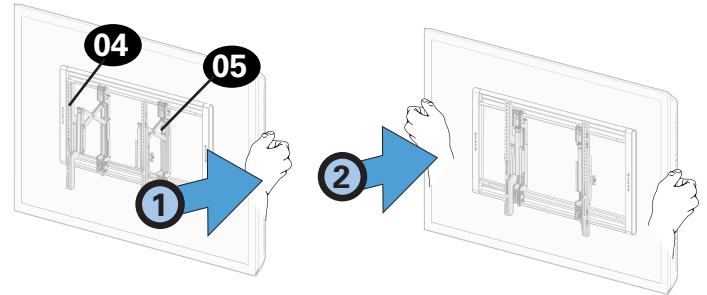
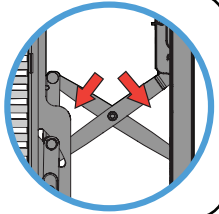
EXTEND



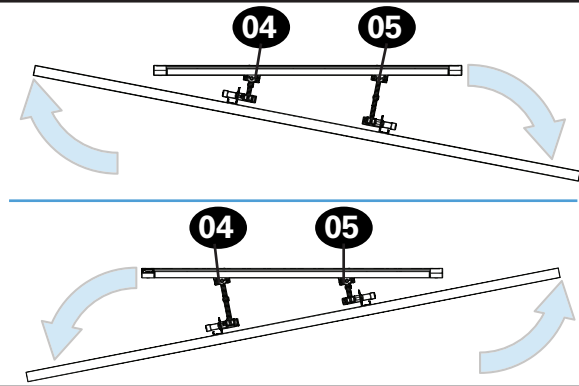
RETRACT

⚠ CAUTION: Avoid potential personal injury or property damage!

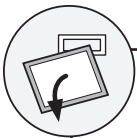
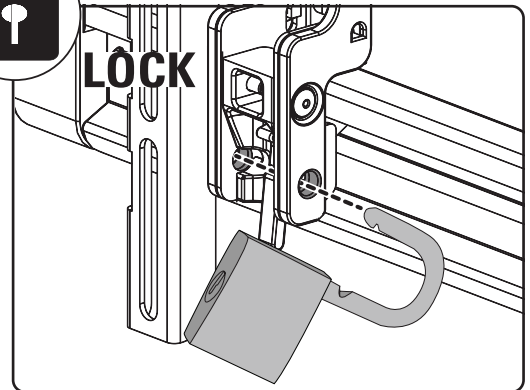
The TV brackets contain potential pinch points during operation. Keep fingers away from pinch points when retracting the TV. (see arrows)



SWIVEL



LOCK



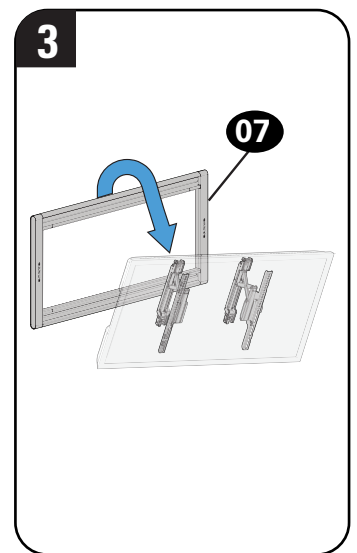
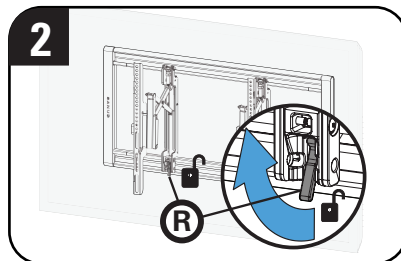
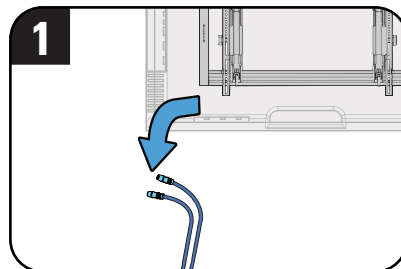
REMOVING THE TV



HEAVY! You may need assistance with this step.

1. Disconnect all cables.
2. To unlock the TV from the wall plate: Lift the release latch **(R)** on both brackets.
3. Lift the TV up and off of wall plate **07**.

NOTE: To rehang the TV, follow the procedures in STEP 3 on PAGE 9.



SANUS

Thank you for choosing SANUS!

Please take a moment to let us know how we did:

Legrand AV EMEA Headquarters

Franklinstraat 14
6003 DK Weert
The Netherlands



info@sanus.com

US:  1-800-359-5520

EMEA:  +31 (0) 495 580 852

UK:  0800-056-2853



SANUS.com

©2020 Legrand AV Inc. All rights reserved. SANUS is a division of Legrand.
All other brand names or marks are used for identification purposes and are trademarks of their respective owners.

©2020 Legrand AV Inc. Alle Rechte vorbehalten. SANUS ist ein Geschäftsbereich von Legrand.
Alle anderen Firmennamen und Marken dienen ausschließlich Identifikationszwecken und sind Marken der jeweiligen Inhaber.

©2020 Legrand AV Inc. Tous droits réservés. SANUS est une division de Legrand.
Tous les autres noms de marques ou autres marques sont utilisés aux fins d'identification et sont des marques appartenant à leurs propriétaires respectifs.

©2020 Legrand AV Inc. Reservados todos los derechos. SANUS es una división de Legrand.
Todos los demás nombres de marca o marcas se utilizan con fines de identificación y son marcas comerciales de sus respectivos propietarios.

©2020 Legrand AV Inc. All rights reserved. SANUS is a division of Legrand. SANUS and the SANUS logo are registered trademarks.