



General purpose lighting that's pocket friendly.

Color: Bronze

Weight: 7.3 lbs

**Project:**

**Type:**

**Prepared By:**

**Date:**

### Driver Info

Type	Constant Current
120V	0.7A
208V	0.4A
240V	0.4A
277V	0.3A
Input Watts	86.8W

### LED Info

Watts	87W
Color Temp	5000K (Cool)
Color Accuracy	83 CRI
L70 Lifespan	50,000
Lumens	10,619
Efficacy	122.3 lm/W

## Technical Specifications

### Listings

#### UL Listed:

Suitable for wet locations. Suitable for ground mounting.

#### IESNA LM-79 & LM-80 Testing:

RAB LED luminaires and LED components have been tested by an independent laboratory in accordance with IESNA LM-79 and LM-80.

#### DLC Listed:

This product is on the Design Lights Consortium (DLC) Qualified Products List and is eligible for rebates from DLC Member Utilities. DLC Product Code: PN3DI19D

### Electrical

#### Driver:

Constant Current, 120-277V, 50/60 Hz, 120V: 0.7A, 208V: 0.4A, 240V: 0.4A, 277V: 0.3A

#### Dimming Driver:

Driver includes wiring for 0-10V dimming systems. Dim as low as 10%.

#### THD:

2.4% at 120V, 9.9% at 277V

#### Power Factor:

99.6% at 120V, 94.1% at 277V

#### Note:

All values are typical (tolerance +/- 10%)

### Optical

#### NEMA Type:

NEMA Beam Spread of 7H x 7V

### LED Characteristics

#### LEDs:

Long-life, high-efficacy, surface-mount LEDs

#### Lifespan:

50,000-hour LED lifespan based on IES LM-80 results and TM-21 calculations

#### Color Uniformity:

RAB's range of Correlated Color Temperature follows the guidelines of the American National Standard for Specifications for the Chromaticity of Solid State Lighting (SSL) Products, ANSI C78.377-2017.

### Construction

#### IP Rating:

Ingress Protection rating of IP65 for dust and water

#### EPA:

0.9

## Technical Specifications (continued)

### Construction

#### Cold Weather Starting:

Minimum starting temperature is -40°C (-40°F)

#### Maximum Ambient Temperature:

Suitable for use in 40°C (104°F)

#### Housing:

Precision die-cast aluminum

#### Mounting:

Trunnion with tilt angle in 30° increments

### Lens:

Tempered glass

### Finish:

Formulated for high durability and long-lasting color

### Green Technology:

Mercury and UV free. RoHS-compliant components.

### Other

#### Equivalency:

Equivalent to 250W Metal Halide

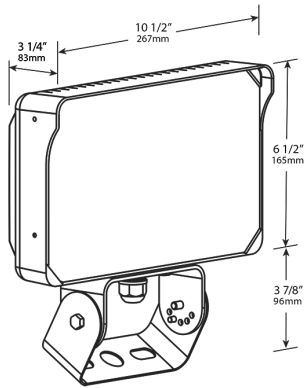
### 5 Yr Limited Warranty:

The RAB 5-year, limited warranty covers light output, driver performance and paint finish. RAB's warranty is subject to all terms and conditions found at [rablighting.com/warranty](http://rablighting.com/warranty).

### Buy American Act Compliance:

RAB values USA manufacturing! Upon request, RAB may be able to manufacture this product to be compliant with the Buy American Act (BAA). Please contact customer service to request a quote for the product to be made BAA compliant.

## Dimensions



## Features

Versatile, general-purpose floodlight

7H x 7V NEMA distribution

0-10V dimming

IP65 rating protects against dust and water

50,000-Hour LED lifespan

## Ordering Matrix

Family	Lumen Packages (values are nominal)	Mounting	CRI/Color Temp	Driver/Voltage
X34	- 100L	T		/U
	<b>100L</b> = 10,000 Lumens, 87W <b>150L</b> = 15,000 Lumens, 130W <b>195L</b> = 19,500 Lumens, 160W	<b>SF</b> = Slipfitter <b>T</b> = Trunnion	<b>Blank</b> = 80 CRI, 5000K <b>-830</b> = 80 CRI, 3000K	<b>/U</b> = 120-277V, 0-10V Dimming