



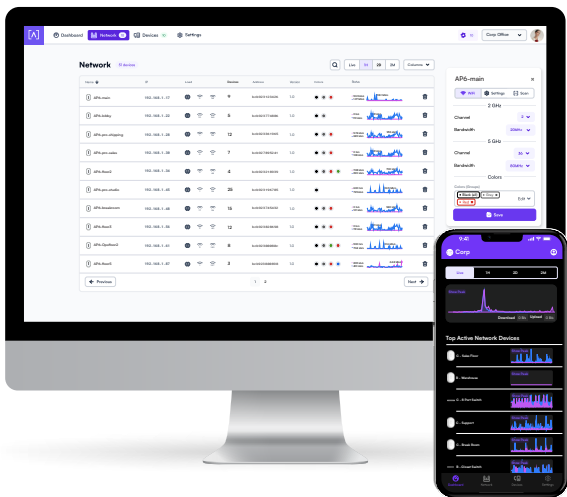
## QUICK START GUIDE



MODEL: AP6-Pro-Outdoor

## Before You Begin

Create your free Alta account to manage your Alta devices. Visit **manage.alta.inc** or download the **Alta Networks** app from the Apple App store. (Note: Android app will be available soon)



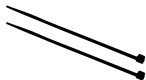
## Package Contents



AP6-Pro-Outdoor



Wall Mount



Zip Ties



Anchors  
(Qty. 2)



Wall Mount Screws  
M3x20mm (Qty. 2)



Wall Mount Screws  
with Washers  
M4x8mm (Qty. 4)



**Note:** Metal mounting pole clamps are not included but are recommended for pole mounting.

## Installation Requirements

- Ethernet cabling (CAT 5e or above)
- 48V PoE+ switch or PoE injector
- Router
- Phillips screwdriver
- Drill and drill bit for wall or ceiling mounting

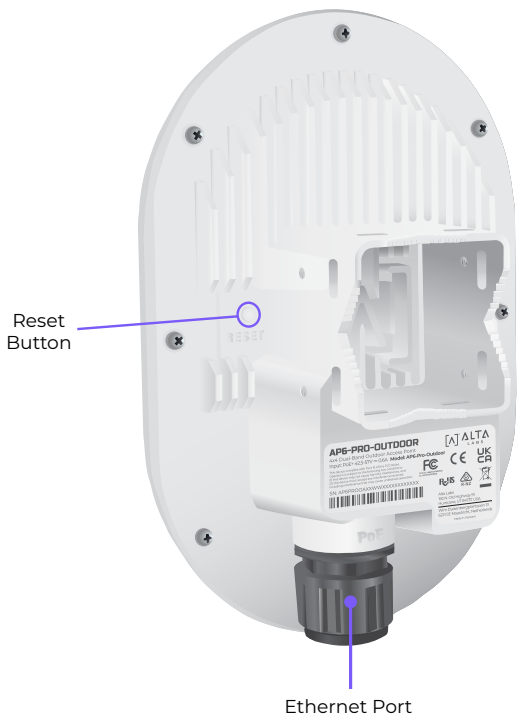
## Hardware Overview

### Front



**LED** Illuminates white by default when AP is online and functional. Can be changed to blue, white, or off in the Alta app or management interface. Flashes when booting.

## Back



**Reset Button** Press down for 10 seconds until the LED begins flashing to reset the AP to factory defaults.

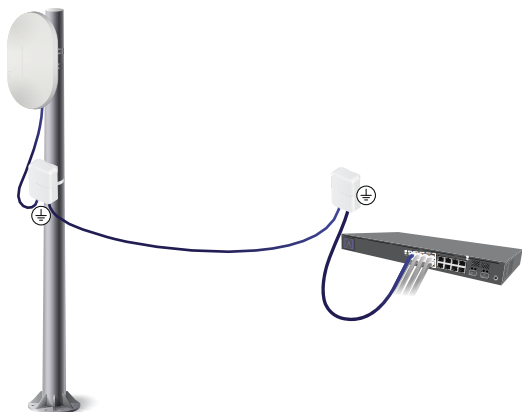
**Ethernet Port** Connects to an Ethernet cable from your PoE+ Switch. An optional 48V, 0.5A adapter can be purchased and used to power the AP.

## Connecting Ethernet

1. Disassemble the waterproof gland and connect an outdoor-rated CAT 6 Ethernet cable. Reassemble the pieces and seal tight.



2. Connect the Ethernet cable to surge protection devices (not included) on both ends of the cable.



**Note:** Be sure to adhere to proper grounding techniques recommended by the surge protection device manufacturer.

## Hardware Installation



**Note:** Installation and maintenance service should only be performed by qualified skilled personnel only.

### Pole Mount



**Note:** Metal mounting pole clamps are not included but are recommended. Clamps should be 1/2" height to fit into the back of the AP6-Pro-Outdoor.

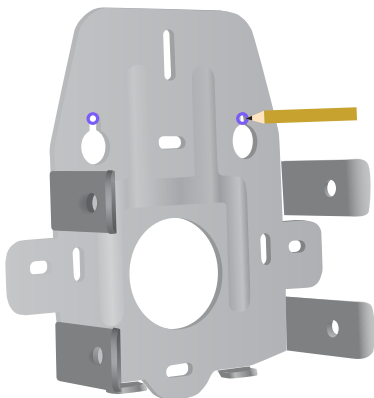
1. Insert the two ends of the pole mount clamps or zip ties through the AP, around the pole, and into the other end of the clamps or zip ties. Tighten as needed.





## Mounting on Dry Wall

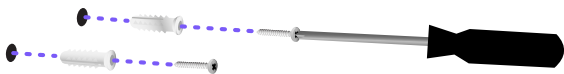
1. Position the Mounting Plate in the desired location and use a pencil to mark the holes.



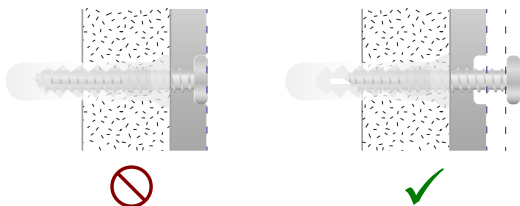
2. Use a 6 mm drill bit to drill the holes for the anchors.



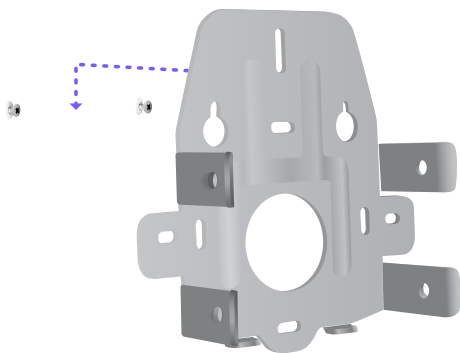
3. Insert the anchors into the wall and insert the screws into the anchors using a Phillips screwdriver.



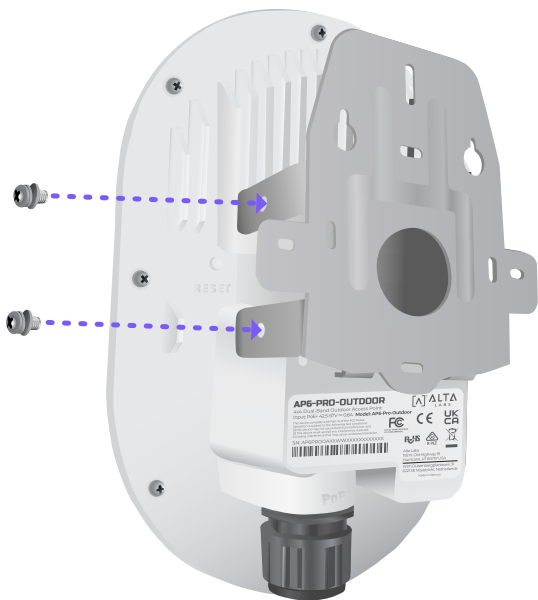
- !** **Note:** Do not tighten the screws until they are flush with the wall. Leave a bit of a gap so the Wall Mount will be able to slide over the screws.



4. Slide the Wall Mount down into place over the screws.



5. Connect the AP6-Pro-Outdoor to the Wall Mount using the 4 Screws with Washers and a Phillips screwdriver.

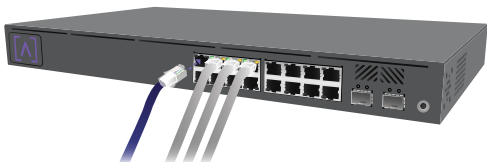


**Note:** The device is only to be connected to indoor PoE equipment.

## Connecting Power

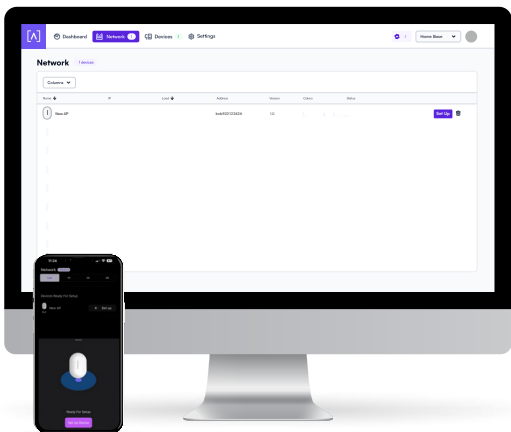
The AP is powered over Ethernet, it can be powered by a PoE+ Switch or using an optional 48V, 0.5A PoE Injector.

1. Connect your Ethernet cable from your AP6-Pro-Outdoor to your PoE+ Switch (or optional PoE Injector).



## Set Up Your Device

1. Follow the instructions in the Alta app or management interface to set up your AP.



## Specifications

Model: <b>AP6-Pro-Outdoor</b>	
Dimensions	210 x 150 x 90 mm (8.3 x 5.9 x 3.5")
Weight	0.9 kg (1.9 lbs)
Enclosure Material	Top Cover: Polycarbonate, Bottom Cover: Milled Aluminum
Wall Mount Material	Galvanized Steel
Weatherproofing	IP68
Network Interface	Ethernet, WiFi, Bluetooth
Management Interface	(1) GbE RJ45 Port
Button(s)	Reset/Factory Reset
LED	Blue, White
Power Method	PoE+
Power Supply	PoE+ Enabled Network Switch or 48V, 0.5A PoE Adapter (Optional)
Supported Voltage Range	42.5-57V DC
Max. Power Consumption	25W Max, 7 - 15W Typical @ 23° C (73° F)
Max. Transmit Power	2.4 GHz: 23 dBm @2NSS 5 GHz: 26 dBm @4NSS
MIMO	5 GHz: 4 x 4, DL/UL MU-MIMO, DL/UL MU-OFDMA 2.4 GHz: 2 x 2. DL/UL MU-OFDMA Explicit TX beam-forming
Throughput Rate	2.4 GHz: Up to 573 Mbps 5 GHz: Up to 5.8 Gbps
Mounting	Pole mount, wall mount
Operating Temperature	-40 to 70° C (-40 to 158° F)
Operating Humidity	5 to 95% Noncondensing
Certifications	CE, FCC, IC

# Compliance

## Federal Communication Commission Interference Statement

This product has been tested and found to comply with the limits for a Class B digital device pursuant to Part 15 of the FCC Rules. These limits are designed to provide reasonable protection against harmful interference when the equipment is operated in a commercial environment. This equipment generates, uses, and can radiate radio frequency energy and, if not installed and used in accordance with the instruction manual, may cause harmful interference to radio communications. Operations of this equipment in a residential area is likely to cause harmful interference in which case the user will be required to correct the interference at his own expense.

However, there is no guarantee that interference will not occur in a particular installation. If this equipment does cause harmful interference to radio or television reception, which can be determined by turning the equipment off and on, the user is encouraged to try to correct the interference by one or more of the following measures:

- Reorient or relocate the receiving antenna.
- Increase the separation between the equipment and receiver.
- Connect the equipment into an outlet on a circuit different from that to which the receiver is connected.
- Consult the dealer or an experienced radio/TV technician for help.

## FCC Caution

This device complies with Part 15 of the FCC Rules. Operation is subject to the following two conditions:

- (1) This device may not cause harmful interference, and
- (2) This device must accept any interference received, including interference that may cause undesired operation.

## Non-Modification Statement

Changes or modifications not expressly approved by the party responsible for compliance could void the user's authority to operate the equipment.

## FCC Radiation Statement

This equipment complies with FCC radiation exposure limits set forth for an uncontrolled environment. This equipment should be installed and operated with minimum distance 20cm between the radiator and your body.

## **CAN ICES-003(B) / NMB-003(B)**

This device contains licence-exempt transmitter(s)/receiver(s) that comply with Innovation, Science and Economic Development Canada's licence-exempt RSS(s). Operation is subject to the following two conditions:

- (1) This device may not cause interference.
- (2) This device must accept any interference, including interference that may cause undesired operation of the device.

L'émetteur/récepteur exempt de licence contenu dans le présent appareil est conforme aux CNR d'Innovation, Sciences et Développement économique Canada applicables aux appareils radio exempts de licence. L'exploitation est autorisée aux deux conditions suivantes :

- (1) L'appareil ne doit pas produire de brouillage;
- (2) L'appareil doit accepter tout brouillage radioélectrique subi, même si le brouillage est susceptible d'en compromettre le fonctionnement.

### **ISED Radiation Exposure Statement:**

This equipment complies with IC RSS-102 radiation exposure limits set forth for an uncontrolled environment. This equipment should be installed and operated with minimum distance 20cm between the radiator & your body.

Cet équipement est conforme aux limites d'exposition aux rayonnements IC établies pour un environnement non contrôlé. Cet équipement doit être installé et utilisé avec un minimum de 20cm de distance entre la source de rayonnement et votre corps.

The transmitter module may not be co-located with any other transmitter or antenna.

Le module émetteur peut ne pas être coïmplanté avec un autre émetteur ou antenne.

The Country Code Selection feature is disabled for products marketed in the US/Canada.


For product available in the USA/Canada market, only channel 1~11 can be operated. Selection of other channels is not possible.

Pour les produits disponibles aux États-Unis / Canada du marché, seul le canal 1 à 11 peuvent être exploités. Sélection d'autres canaux n'est pas possible.



**ALTA**  
LABS

## **Community Forum**

 [forum.alta.inc](https://forum.alta.inc)

## **Technical Support**

 [help.alta.inc](https://help.alta.inc)

All specifications are subject to change without notice.  
Alta Labs products are sold with a limited warranty:  
[alta.inc/warranty](https://alta.inc/warranty)

© 2023 - 2025 Alta Networks, LLC. All rights reserved.  
Alta Labs is a trademark of Alta Networks, LLC.