

|             |  |           |  |      |  |
|-------------|--|-----------|--|------|--|
| Project     |  | Catalog # |  | Type |  |
| Prepared by |  | Notes     |  | Date |  |



# HALO

## HLBP6

6-Inch LED Lens Downlight with Remote Driver / Junction Box

### Typical Applications

Residential

### Interactive Menu

- Order Information [page 2](#)
- Product Specifications [page 2](#)
- Energy Data [page 3](#)
- Photometric Data [page 3](#)
- Product Warranty
- Dimming Guide

### Product Certification



Refer to ENERGY STAR® Certified Products List.  
Can be used to comply with California Title 24 High Efficacy requirements.  
Certified to California Appliance Efficiency Database under JAB.

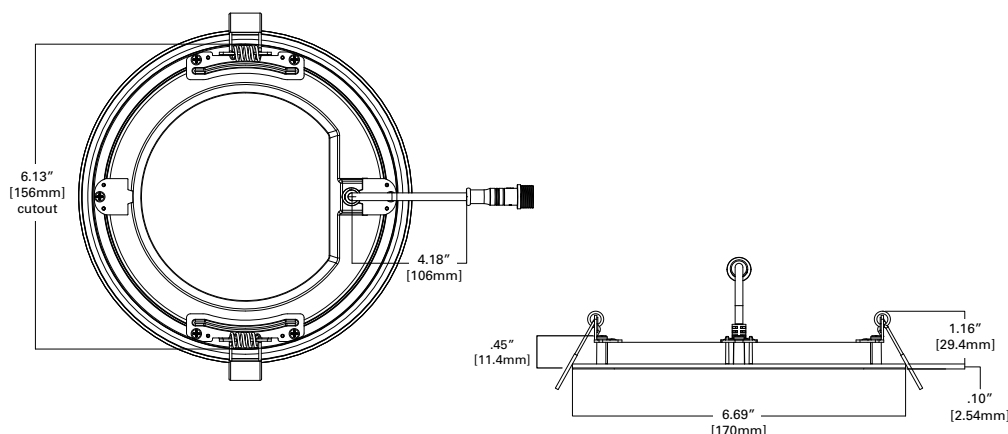
### Product Features



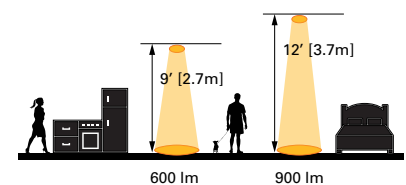
### Top Product Features

- Direct mount - does not require recessed housing or junction box
- Delivers up to 1,100 lumens
- Achieves L70 at 50,000 hours in IC and non-IC applications
- 5-color field selectable CCT: 2700K, 3000K, 3500K, 4000K, 5000K

### Dimensional and Mounting Details



### Scale



[additional product diagrams](#)

## Order Information

SAMPLE ORDER NUMBER: **HLBPH6099FS1EMWR**

| Models   | Lumens                           | CRI / CCT   | Driver  | Finish                         | Packaging  |
|--|----------------------------------|---|---|--------------------------------|--|
| <b>HLBPH6</b> = 6-Inch LED smooth lens downlight with plastic housing and remote driver / junction box | <b>09</b> = 900 lumens (nominal) | <b>9FS</b> = 90 CRI minimum, field selectable 2700K, 3000K, 3500K, 4000K or 5000K CCT | <b>1E</b> = 120V 60Hz, LE & TE phase cut 5% dimming | <b>MW</b> = matte white flange | <b>R</b> = recyclable 4-color unit carton suitable for point of purchase merchandising display |
| <b>Notes</b>   | <b>Notes</b>                     | <b>Notes</b>  | <b>Notes</b>  | <b>Notes</b>                   | <b>Notes</b>   |

### Accessories

| Accessories   |  |
|---|--|
| <b>HL6RSMF</b> = 6" round and square mounting frame<br><b>HLB6ROTMW</b> = 6" round oversized trim ring, 6.875" OD, matte white<br><br><b>Designer Trims</b><br><b>HLB6RTRMMW</b> = 6" round decorative overlay, matte white<br><b>HLB6RTRMMB</b> = 6" round decorative overlay, matte black<br><b>HLB6RTRMSN</b> = 6" round decorative overlay, satin nickel<br><b>HLB6RTRMTBZ</b> = 6" round decorative overlay, tuscan bronze | <b>Extension Cable   seleCCTable Driver/Jbox</b><br><b>HLB06FSEC</b> = 6 ft. extension cable<br><b>HLB12FSEC</b> = 12 ft. extension cable<br><b>HLB20FSEC</b> = 20 ft. extension cable |



**HLB6RTRMMW**  
White (Paintable), Splay



**HLB6RTRMMB**  
Matte Black, Splay



**HLB6RTRMSN**  
Satin Nickel, Splay



**HLB6RTRMTBZ**  
Tuscan Bronze, Splay

## Product Specifications

### Housing

- Plastic mounting frame with integral flange provides passive thermal cooling achieving L70 at 50,000 hours in IC and non-IC applications

### Optics

- Precision acrylic light guide organizes source flux into wide distribution with 1.28 spacing criteria, useful for general area illumination

### LED Array

- Plurality of mid power LED's provides a uniform source with high efficiency and long life
- Available in 90 CRI minimum, R9 greater than 50 provides high color rendering
- Field Selectable color temperature (5 colors):
  - 2700K, 3000K, 3500K, 4000K, 5000K
  - Color accuracy of 3 step at the ends, 4 step in the middle
- Meets ENERGY STAR® color angular uniformity requirements, deviation is less than 0.006 u' v'

### Remote Driver/Junction Box

- Die formed metal driver / junction box with captive hinged junction box cover
- Listed for (6) #12 AWG 90° C splice conductors, 2-in, 2-out plus (2) ground
- (4) ½" conduit pry-outs
- Accepts 14-2, 14-3, 12-2, 12-3 U.S. and 14-2, 14-3, 12-2 Canadian NM cable
- (3) 4-port push wire nuts for quick and reliable mains voltage connections
- Integral mounting facilitates direct mounting to building structure or mounting frame

### Driver

- 120V 60 Hz constant current driver provides noise free operation
- Continuous, flicker-free dimming from 100% to 5% with select leading or trailing edge 120V phase cut dimmers

### Installation

- Can be installed in 3/8" to 1-1/4" thick ceilings
- Round ceiling cutout
- Heat treated springs hold fixture fitting securely in the ceiling eliminating light leaks
- Housing is less than ½" thick and can span a 2" nominal framing member
- Can be removed from below the ceiling for service or replacement

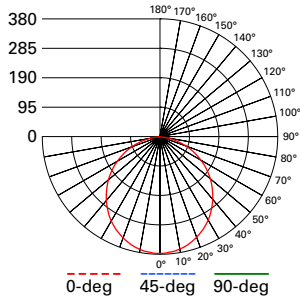
### Compliance

- UL Certified US and Canada Type IC suitable for direct contact with air permeable insulation
- Not recommended for use in direct contact with spray foam insulation, reference NEMA LSD57-2013
- Wet location listed and IP44 ingress protection
- Airtight per ASTM-E283-04
- Suitable for use in clothes closets when installed in accordance with the NEC 410.16 spacing requirements
- EMI/RFI emissions per FCC 47CFR Part 15 consumer limits
- Contains no mercury or lead and RoHS compliant
- Photometric testing in accordance with IES LM-79-08
- Lumen maintenance projections in accordance with IES LM-80-08 and TM-21-11
- Can be used for State of California Title 24 high efficacy LED compliance under JA8, reference Modernized Appliance Efficiency Database System (MAEDBS) for 2019 JA8 High Efficacy Lighting
- ENERGY STAR® certified, reference "Certified Light Fixtures" database

### Warranty

- Five year limited warranty, consult website for details. [www.cooperlighting.com/warranty](http://www.cooperlighting.com/warranty)

## Photometric Data



**HLBPH6099FS1EMWR-3000K**  
 Spacing criterion: (0-180) 1.23  
 (90-270) 1.23  
 (Diagonal) 1.35  
 Beam Angle: 109°  
 Field Angle: 160°  
 Lumens: 1015  
 Input Watts: 14.2 W  
 Efficacy: 71.5 LPW  
 Test Report:  
 HLBPH6099FS1EMWR-3000K.ies

| Zonal Lumen | Lumens | % Lumens |
|-------------|--------|----------|
| 0-30        | 292    | 28.1     |
| 0-40        | 476    | 45.7     |
| 0-60        | 831    | 79.9     |
| 0-90        | 1041   | 100      |

|          |         |
|----------|---------|
| TM-30-15 | Rf = 91 |
|          | Rg = 98 |
| CRI/CIE  | Ra = 94 |
|          | R9 = 69 |

CCT - Range of 2700K- 5000K



109°

## Energy Data

| HLBPH6099FS1EMWR |                 |
|------------------|-----------------|
| Input Voltage    | 120V            |
| Input Current    | 0.117 (A)       |
| Input Power      | 14.0 (W)        |
| Efficiency       | 72.5 (LPW)      |
| Inrush (A)       | 0.98 A @ 108 μS |
| THD:             | ≤ 7.2%          |
| PF:              | ≥ 0.99          |
| T Ambient        | -30° - +40°C    |
| Sound Rating     | ≤ 22 dba        |

| HLBPH6099FS1EMWR |       |        |      |     |
|------------------|-------|--------|------|-----|
| CCT              | Watts | Lumens | LPW  | CRI |
| 2700K            | 14.2  | 995    | 70.1 | 93  |
| 3000K            | 14.2  | 1015   | 71.5 | 93  |
| 3500K            | 14.3  | 1055   | 73.8 | 94  |
| 4000K            | 14.3  | 1080   | 75.5 | 94  |
| 5000K            | 14.2  | 1100   | 77.5 | 93  |

## Product Specifications

HLBPH6099FS1EMWR

**PRODUCT SPECIFICATIONS**

|                                    |              |
|------------------------------------|--------------|
| <b>Lumens</b>                      | <b>1015</b>  |
| <b>Watts</b>                       | <b>14.2</b>  |
| <b>Lumens Per Watt (Efficacy)</b>  | <b>71.5</b>  |
| <b>Color Accuracy (CRI)</b>        | <b>93</b>    |
| <b>Light Color (CCT)</b>           | <b>3000K</b> |
| Correlated Color Temperature (CCT) |              |
|                                    |              |
| 2700K                              | 3000K        |
| 4500K                              | 6500K        |

## Dimensional Details

