

PROFICIENT

Protege™

OWNER'S MANUAL



LCRE5 / LCRE4
LCR & Effect Speakers

INTRODUCTION

Congratulations and thank you for purchasing our Proficient Protege LCRE5 or LCRE4 LCR & Effect Speaker!

Options

These versatile speakers work beautifully in a wide range of settings. Use them as:

- **Stereo System:** Left and Right speakers
- **Flat-Panel TV Installation:** Left, Center and Right speakers
- **Effect Speakers:** Use for side and rear surround effect speakers

Our LCRE speakers are designed to sound great whether you lay them flat, stand them on one end or for a fixed install, hang them on the wall.

Woofers

The LCRE5 and LCRE4 combine dual injection molded graphite woofers with a silk dome tweeter combine to deliver clear, natural sound even at high volumes. The woofers use a special formulation of graphite, polypropylene and carbon fiber materials combined them using an injection molded process. The qualities of these different materials work together to deliver exceptionally clear midrange as well as the stiffness and strength required to produce powerful deep bass.

Tweeter

The 1-inch silk dome tweeter provides excellent off-axis response by nature of its dome shape, complementing the dispersion of the woofer. The material properties of the IMG woofer cone and silk dome tweeter work together to provide a seamless sound quality so mid and high frequencies audibly appear to emanate from the middle of the baffle and not individually from the woofers or tweeter.

Speaker Tuning

For an LCRE-type speaker to sound practically the same whether it's oriented vertically or horizontally requires a very carefully tuned crossover network to divide the sound into bass and midrange for the woofers and treble for the tweeter. Fortunately, our acoustic engineer has decades of experience working on home theater speakers and professional sound systems. Calculation followed by listening tests have resulted in designs that deliver extremely low distortion and a spacious, enveloping sound.

Placement

Table-Top: You can place these speakers atop speaker stands or a TV table or shelves or whatever will support them, using the included adhesive feet to keep them stable and keep whatever's under the speaker from vibrating.

Wall Mount: We installed two cross-slot wall mounts flush, on opposite of each other on the back panel of the speaker that allows the LCRE5 or LCRE4 to be mounted horizontally or vertically.

Use as Effect Speakers

The LCRE5 and LCRE4 also work great as rear and side effects speaker for Dolby and DTS surround systems. Use them with any of the Proficient Cabinet models and they'll deliver a spine-tingling, ultra-realistic sense of envelopment. Place them vertically on stands, or horizontally on shelves, and you'll get great results either way.

Bass

The graphite woofers deliver outstanding bass for their size, but these speakers aren't designed to deliver true full-range sound on their own. If you are using these speakers for home theater, or in a stereo system that's going to be played loud with a lot of bass-heavy music, Proficient offers a variety of floor standing, in-wall and in-ceiling subwoofers to give your system even more kick.

Cabinet

Our cabinet is made from thick MDF panels to prevent unwanted vibration so the sound you hear comes from just the drivers, not the cabinet. The black polymer coating helps to acoustically seal and dampen the enclosure.

To get the best possible performance from your LCRE5s or LCRE4s, please read this manual carefully and follow all instructions for installation and setup.

SPEAKER PLACEMENT

Determine the Ideal Listening Zone

The area where the user will most likely be sitting when listening to the speakers is the Ideal Listening Zone, and the speakers should be placed to optimize the sound for this seat. Ideally, the distance between the front left and right speakers should be the same as the distance from the speakers to the Ideal Listening Zone. You may have to compromise a little on placement, but get it as close as possible.

(Diagram 1)

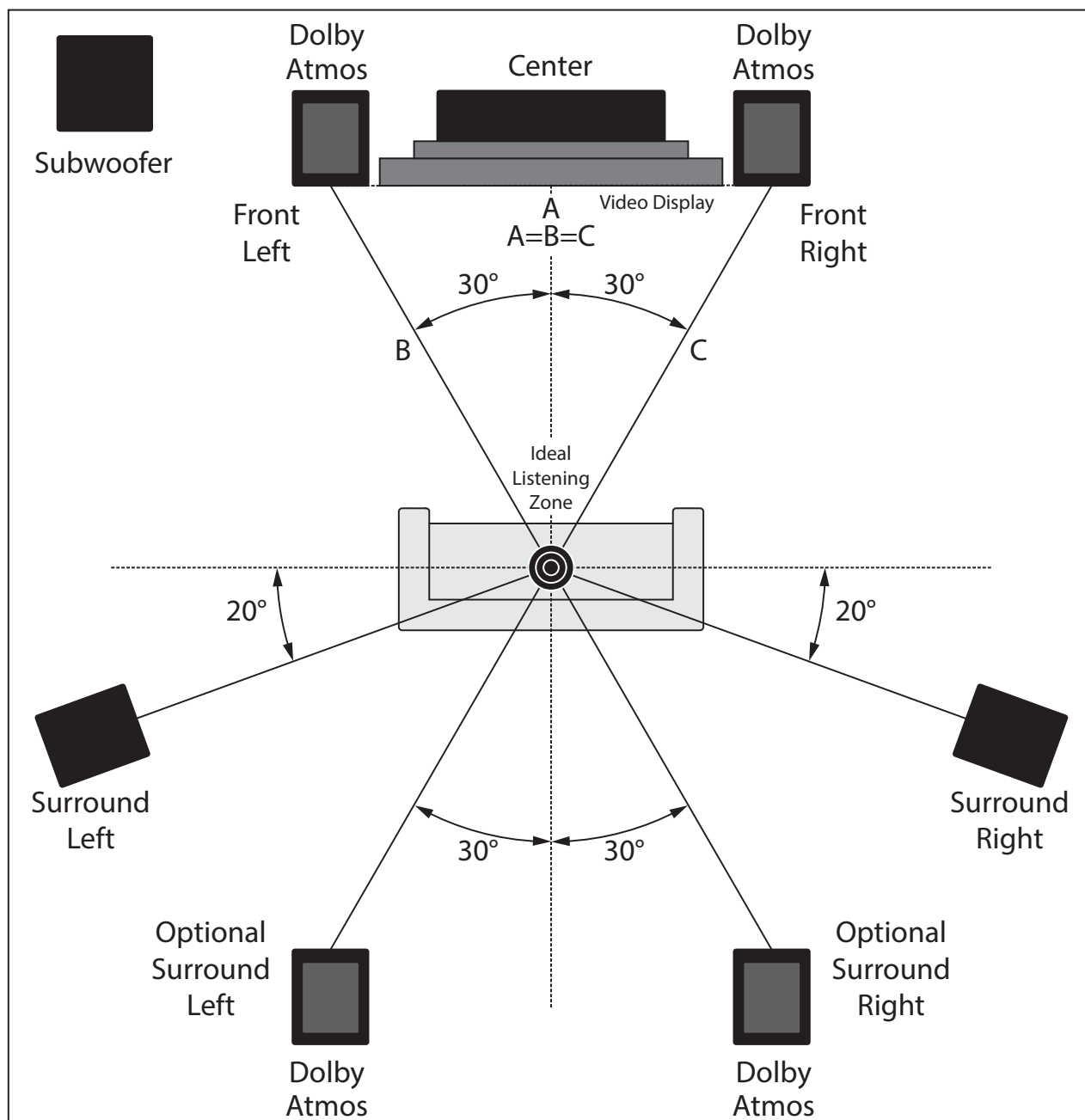


Diagram 1 Speaker Location

SPEAKER PLACEMENT (*Continued*)

Stereo Music

When using two LCRE5 or LCRE4 speakers for stereo listening, place the speakers on an entertainment center or an appropriate piece of furniture, or on speaker stands or wall mounts, so the tweeters of the front left and right speakers are at about the same height as the listener's ears when in a seated position. The LCRE5 and LCRE4 are designed to sound great whether they're positioned horizontally (on their sides) or vertically (on their ends).

Note that though these speakers are designed to perform well on their own, a Proficient subwoofer can add more bass and achieve a more realistic and exciting sound, especially in home theater applications. Visit proficientaudio.com for more information.

Stereo Audio with Video

The same general speaker positioning ideas for stereo music applications apply when two LCRE5s or LCRE4s are used as the sound system for a TV or video projector. However, the position of the speakers relative to the screen now becomes important. The screen should be between the two speakers, and each speaker should be the same distance from the nearest side of the screen. Also, the speakers should ideally be mounted at a minimum height so the bottoms of the speakers are even with or above the bottom of the screen, and a maximum height so that the vertical centers of the speakers are even with the vertical center of the screen. The speakers can also be placed behind an acoustically transparent (perforated or woven) video projection screen. **(Diagram 2)**

Center Channel

The LCRE5 and LCRE4 make an excellent center channel speaker in any system, and particularly when used with additional LCRE5s, LCRE4s or any other Proficient Protege speaker models. You should place the center channel speaker directly under the center of the video screen, as close as possible to the screen. It can also be placed behind an acoustically transparent (perforated or woven) video projection screen. **(Diagram 2)**

5.1, 7.1 and Dolby Atmos Surround Sound

The LCRE5 and LCRE4 are ideal for use in surround sound systems. If the LCRE5 or LCRE4 is used for the front left and right channels, place them according to the principles outlined in "Stereo Audio with Video" above. If you are using an LCRE5 or LCRE4 as the center speaker, place it according to the guidelines cited in "Center Channel" above. If you are using the LCRE5 and LCRE4 for the rear or side surround channels, please refer to the speaker placement suggestions in the surround processor's manual.

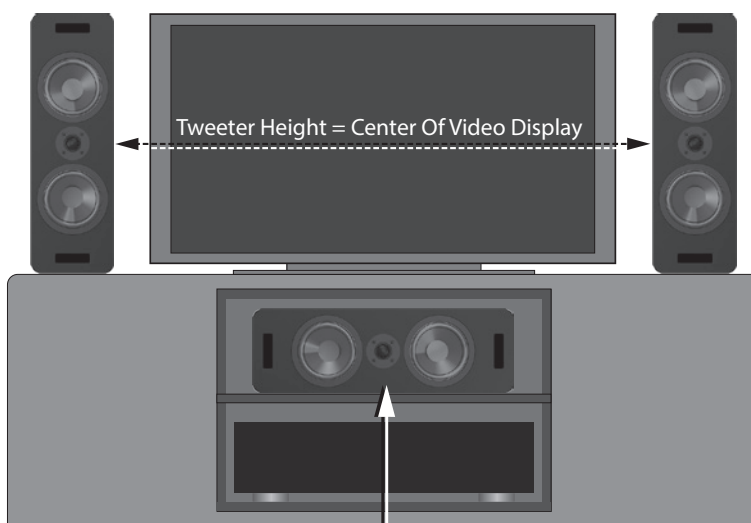
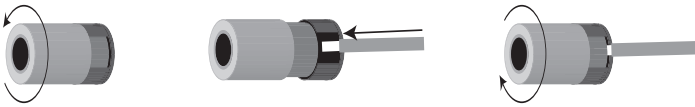


Diagram 2 *Speaker Placement*

Center Channel Speaker Directly Above/Below Video Display

SPEAKER CONNECTIONS

1. Use 16AWG (min) 2-conductor stranded speaker wire for speaker connection.
2. Strip approximately 1/2 to 3/4 of an inch off the ends and twist the strands together so there are no loose ends that can cause shorts.
3. Loosen the LCRE5 or LCRE4 speaker terminals as shown in **Diagram 3** so there is enough room between the post and the collar to feed the stripped wire through without damaging the strands.
 
4. Connect the marked conductor of the cable (it may have a red jacket, or a white or blue stripe down the side) to the +/red terminal of the speaker. Tighten the post to secure the wire.
5. Connect the other conductor of the cable to the -/black terminal of the speaker.
6. Repeat this process for all speakers.
7. Connect the speaker wires to the appropriate +/red and -/black terminals on the receiver/amplifier.
8. Confirm connection, polarity and position. Be sure all + and - are correct and that left, right, center and surround speakers are connected to the proper terminals and positioned correctly. Improper positioning of multi-channel speakers will adversely affect system performance. (**Diagram 4**)

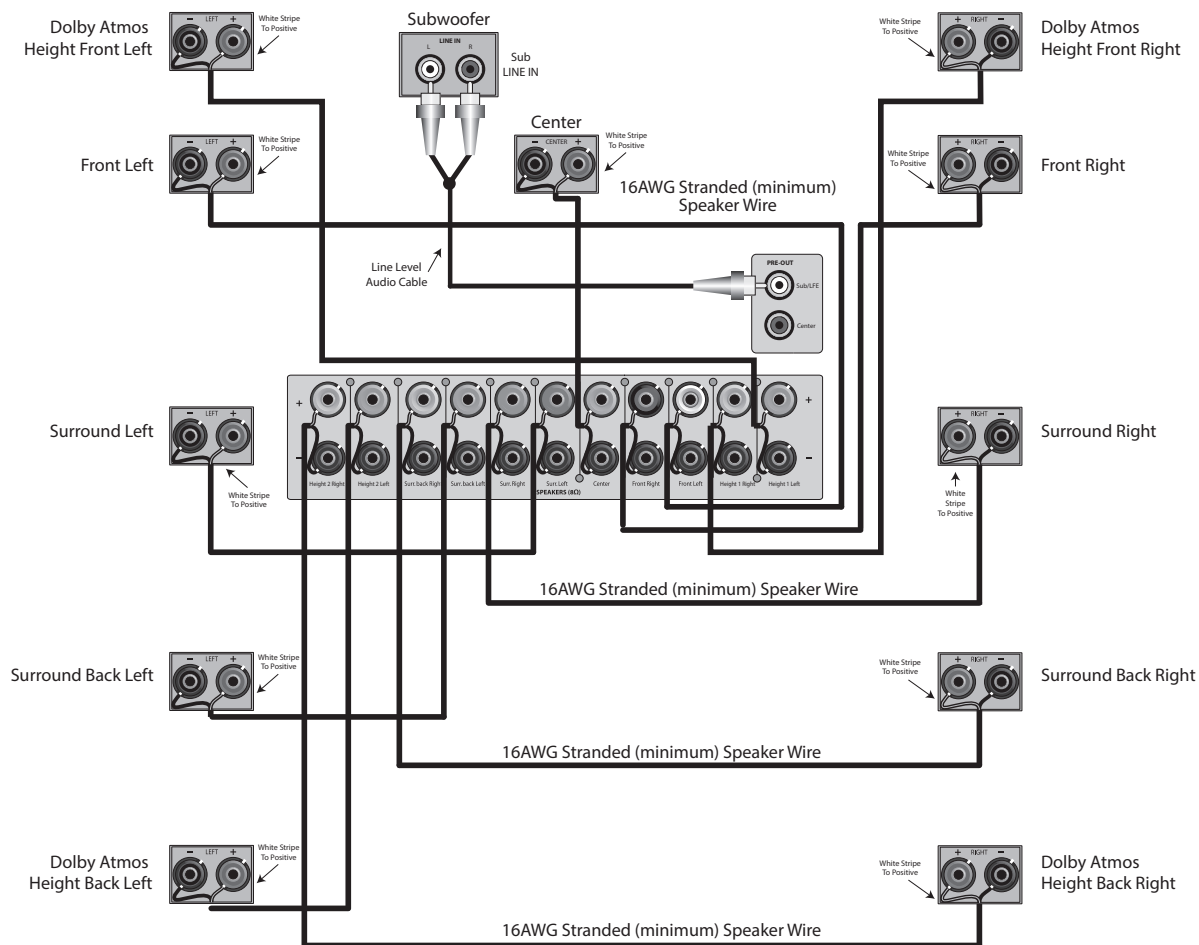


Diagram 4 Speaker Connections and Positions

PROTECTING THE CABINET FINISH

The finish on the LCRE5 and LCRE4 is a polymer coating that, while durable, should be carefully maintained. Do not place any hard object directly on the cabinet without first putting down a soft cloth or other non-abrasive pad. Do not place any liquid containers including drinks, flower vases or plants directly on the cabinet to avoid water marks.

To clean the cabinet, use a feather duster to remove dust. Dust can be abrasive and wiping dust with a rag can cause scratches. If additional cleaning is required, use a soft damp cotton cloth to clean the cabinet surface. Do not leave any residual moisture on the cabinet surface.

LCR & EFFECT SPEAKER SPECIFICATIONS

| | LCRE5 | LCRE4 |
|--------------------------------|---|---|
| Speaker Type: | 2-Way 5" LCR & Effect Speaker | 2-Way 4" LCR & Effect Speaker |
| Applications: | 2, 2.1, 5.1, 7.1, Atmos/DTS:X Systems | 2, 2.1, 5.1, 7.1, Atmos/DTS:X Systems |
| Woofers: | Two 5" Graphite Cone Woofers | Two 4" Graphite Cone Woofers |
| Tweeter: | 1" Silk Dome Tweeter | 1" Silk Dome Tweeter |
| Power Handling: | 100 Watts | 90 Watts |
| Frequency Response: | 74Hz - 20kHz | 80Hz - 20kHz |
| Impedance: | 6Ω | 6Ω |
| Sensitivity: | 87dB 2.83V/1m | 86dB 2.83V/1m |
| Terminals: | Gold-Plated 5-Way Binding Posts, 10AWG Max | Gold-Plated 5-Way Binding Posts, 10AWG Max |
| Cabinet: | Matte Black Rounded Corner MDF Cabinet | Matte Black Rounded Corner MDF Cabinet |
| Grille: | Removable Black Cloth Grille w/Neo Magnets | Removable Black Cloth Grille w/Neo Magnets |
| Integrated Wall Mounts: | Two Flush Mounted Cross-Slotted Wall Mounts | Two Flush Mounted Cross-Slotted Wall Mounts |
| Mounting Orientation: | Mounts Horizontally or Vertically | Mounts Horizontally or Vertically |
| Dimensions (H x W x D): | 7 ³ / ₁₆ " x 20" x 4" | 6 ³ / ₁₆ " x 20" x 4" |

Features and specifications are subject to change without notice.

LIMITED TEN-YEAR WARRANTY

Proficient Audio Systems ("Proficient") warrants to the original retail purchaser only ("you") that this product will be free from defects in materials and workmanship for a period of ten years (the "Warranty Period"), subject to the limitations and exclusions set out in this Limited Warranty. This warranty is not transferable to subsequent owners of the product. If you discover a defect in material or workmanship within the Warranty Period, you can obtain warranty service by contacting Proficient during the Warranty Period at 800.472.5555 or techsupport@proficientaudio.com or by contacting the dealer from whom you purchased the product. Defective products must be shipped, prepaid and insured, together with proof of purchase. Warranty service requests made without proof of date of purchase will be denied. Freight collect shipments will be refused. It is preferable to ship this product in the original shipping container to lessen the chance of transit damage. In any case, the risk of loss or damage in transit is to be borne by the purchaser.

If, upon examination by Proficient or its authorized dealer, it is determined that the unit is in fact defective, Proficient will, at its option:

- Repair or replace the product at no additional charge; or
- If the model is no longer available and can not be repaired effectively, replace the unit with a current model of equal or greater value. In some cases where a new model is substituted, a modification to the mounting surface may be required. If mounting surface modification is required, Proficient assumes no responsibility or liability for such modification.

Proficient will bear the cost of returning the repaired or replaced product to you, freight prepaid. All replaced parts and product become the property of Proficient Audio Systems. The foregoing is your sole and exclusive remedy for breach of warranty. If the product is not found to be defective, Proficient will contact you to arrange for return of the product to you, at your expense.

EXCLUSIONS:

- This Warranty does not include service or parts to repair damage caused by accident, disaster, misuse, abuse, negligence, inadequate packing or shipping procedures, commercial use, voltage inputs in excess of the rated maximum of the unit, or service, repair or modification of the product by unauthorized dealers. This Warranty also excludes normal cosmetic deterioration caused by environmental conditions.
- This Warranty will be void if:
 - the Serial Number on the product has been removed, tampered with or defaced.
 - the product was not purchased from an authorized dealer.

THE FOREGOING WARRANTIES ARE EXCLUSIVE AND IN LIEU OF ALL OTHER EXPRESSED AND IMPLIED WARRANTIES. PROFICIENT EXPRESSLY DISCLAIMS ALL SUCH OTHER WARRANTIES, INCLUDING BUT NOT LIMITED TO IMPLIED WARRANTIES OF MERCHANTABILITY, FITNESS FOR A PARTICULAR PURPOSE AND NON-INFRINGEMENT. In no event will Proficient be liable for any incidental or consequential damages arising out of the use or inability to use the product, even if Proficient has been advised of the possibility of such damages, or for any claim by any other party. Notwithstanding the above, if you qualify as a "consumer" under the Magnuson-Moss Warranty Act, then you may be entitled to any implied warranties allowed by law for the Warranty Period. Further, some states do not allow limitations on how long an implied Limited Warranty lasts or allow the exclusion or limitation of consequential damages, so such limitations may not apply to you.

ATTENTION TO OUR VALUED CONSUMERS:

To ensure that consumers obtain quality pre-sale and after-sale support and service, Proficient products are sold exclusively through Authorized Installing Dealers and Authorized Internet Sellers. **Please be advised that Proficient warranties are void if product is purchased from an Unauthorized Internet Seller.**

For technical inquires, please call 800.472.5555 or e-mail us at techsupport@proficientaudio.com. We are available to assist you every weekday, except holidays, between the hours of 7:00 a.m. and 5:00 p.m. PST.

PROFICIENT.

5919 Sea Otter Place • Carlsbad, CA 92008 • 800.472.5555 • Fax 707.283.5901 • proficientaudio.com

©2018 Nortek Security & Control, LLC. All rights reserved. Proficient® is a registered trademark of Nortek Security & Control, LLC.



Dolby, Dolby Atmos, and the double-D symbol are registered trademarks of Dolby Laboratories.

DTS, the Symbol, DTS and the Symbol together, DTS:X, and the DTS:X logo are registered trademarks or trademarks of DTS, Inc. in the United States and/or other countries.



P/N: 10017415 (Rev A0)