

PROFICIENT

Protege™

OWNER'S MANUAL



LFS6

Dual 6" Floor Standing Speaker

INTRODUCTION

Congratulations and thank you for purchasing our Proficient Protege LFS6 Dual 6" Floor Standing Speakers!

Our speakers are designed to be used for the left and right channels of a stereo system or home theater, and it can also be used as rear/side speakers in a surround-sound system. With two 6-inch injection molded graphite woofers and a silk dome tweeter in each LFS6, you hear clear, natural sound even at high volumes.

Woofers

To achieve natural sound quality in the mid-range frequencies, Proficient engineers created woofer cones from a special formulation of graphite, polypropylene and carbon fiber materials and combined them using an injection molded process. This combination of properties not only provides good midrange sound quality but also provides the cone stiffness required to produce powerful deep bass.

Tweeter and Woofer

The 1-inch silk dome tweeters provide excellent off-axis response due to their dome shape, complementing the dispersion of the woofers. The material properties of the IMG woofer and silk dome tweeter work together to provide seamless sound so mid and high frequencies appear to emanate from the middle of the baffle and not individually from the woofers or tweeter.

Crossover Networks

The crossovers in these speakers were designed by an acoustic engineer with decades of experience working on home and professional loudspeakers. The crossover frequency points and slopes were precisely chosen through scientific calculation followed by listening tests, to assure that the LFS6 speakers has extremely low distortion and a spacious, enveloping sound.

Placement

You can place these speakers directly on the floor. Using the included adhesive feet will make the speakers more stable and also improve the sound a bit in the process.

Bass

The graphite woofers deliver outstanding bass for their size. If you will be putting these speakers into a home theater or into a stereo system that's going to be played loud with a lot of bass-heavy music, a good subwoofer (or two) can give you true theater-quality bass. Proficient offers a variety of floor standing, in-wall and in-ceiling subwoofers to give your system even more kick.

Cabinet

Our cabinet is made from thick MDF panels to prevent unwanted vibration so the sound you hear comes from just the drivers, not the cabinet. The black polymer coating helps to acoustically seal and dampen the enclosure.

To get the best possible performance from your LFS6s, please read this manual carefully and follow all instructions for installation and setup.

SPEAKER PLACEMENT

Determine the Ideal Listening Zone

The area where the user will most likely be sitting when listening to the speakers is the Ideal Listening Zone, and the speakers should be placed to optimize the sound for this seat. Ideally, the distance between the front left and right speakers should be the same as the distance from the speakers to the Ideal Listening Zone. You may have to compromise a little on placement, but get it as close as possible.

(Diagram 1)

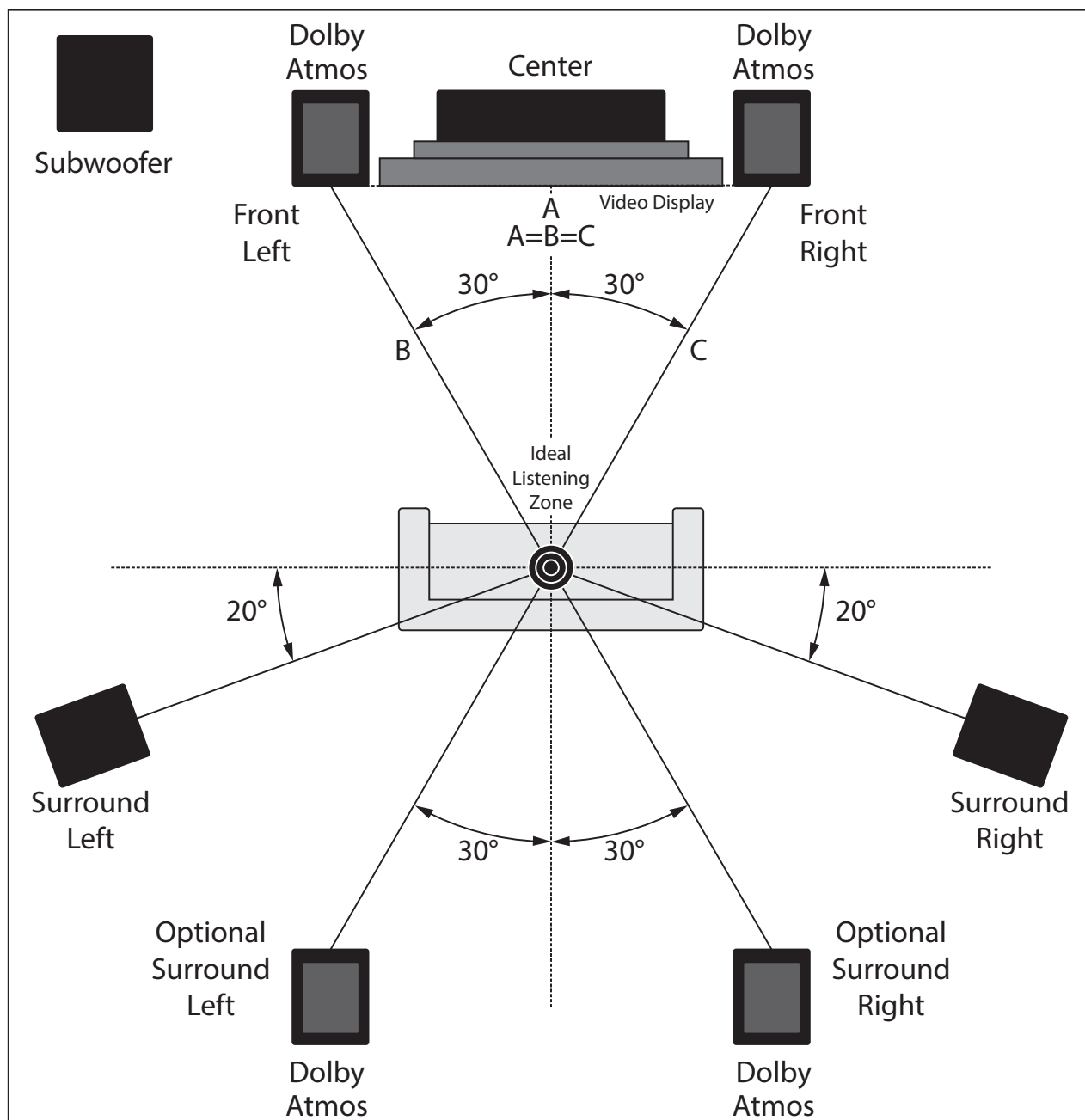


Diagram 1 Speaker Location

SPEAKER PLACEMENT (*Continued*)

Stereo Music

When using two LFS6 speakers for stereo listening, place the speakers on the floor, facing toward the Ideal Listening Zone. You'll get the best results if your chair or sofa puts your ears roughly at the same height as the tweeter when you're seated.

Note that while many people will find that a pair of LFS6s have plenty enough bass for music listening, some listeners will want more. In this case, we recommend adding at least one Proficient subwoofer to give add more bass and achieve a more realistic and exciting sound, especially in home theater applications. Two subs will give you more even bass response in every seat in the room. Visit proficientaudio.com for more information.

Stereo Audio with Video

The same general speaker positioning ideas for stereo music applications apply when two LFS6s are used as the sound system for a TV or video projector. However, the position of the speakers relative to the screen now becomes important. The screen should be between the two speakers, and each speaker should be the same distance from the nearest side of the screen. **(Diagram 2)**

5.1, 7.1 and Dolby Atmos Surround Sound

The LFS6 is also a great choice for use in surround sound systems. Place them according to the principles outlined in "Stereo Audio with Video" above. If you want maximum dynamics and power, you might also wish to use additional LFS6s in the rear and side surround channels. Or you can use Proficient's LB62 or LB52 bookshelf speakers for the rear or side surround channels, because their sound matches the LFS6. Please refer to the surround processor's manual for specific surround speaker placement suggestions.

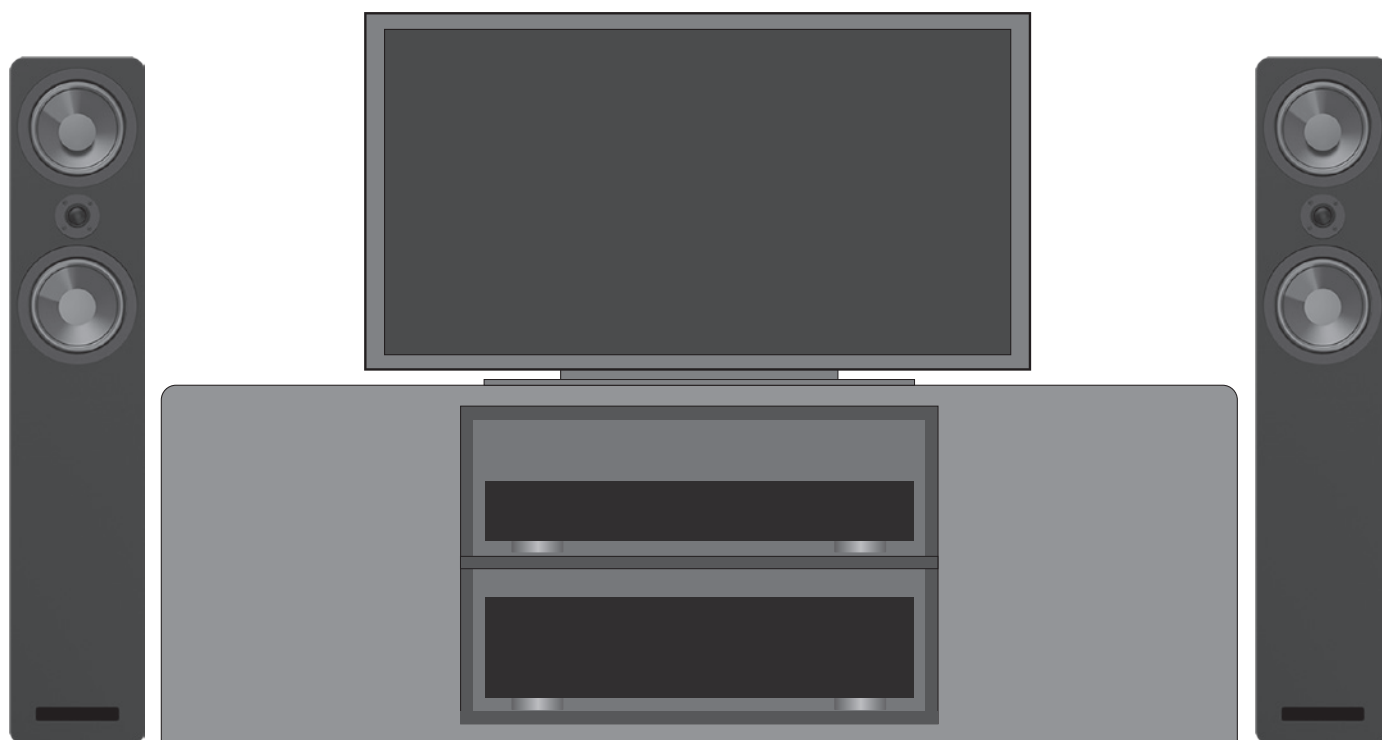
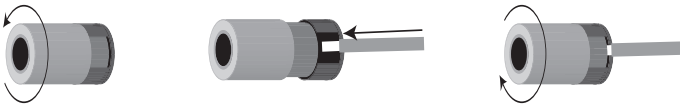


Diagram 2 *Speaker Placement*

SPEAKER CONNECTIONS

1. Use 16AWG (min) 2-conductor stranded speaker wire for speaker connection.
2. Strip approximately 1/2 to 3/4 of an inch off the ends and twist the strands together so there are no loose ends that can cause shorts.
3. Loosen the LFS6 speaker terminals as shown in **Diagram 3** so there is enough room between the post and the collar to feed the stripped wire through without damaging the strands.
 
4. Connect the marked conductor of the cable (it may have a red jacket, or a white or blue stripe down the side) to the +/red terminal of the speaker. Tighten the post to secure the wire.
5. Connect the other conductor of the cable to the -/black terminal of the speaker.
6. Repeat this process for all speakers.
7. Connect the speaker wires to the appropriate +/red and -/black terminals on the receiver/amplifier.
8. Confirm connection, polarity and position. Be sure all + and - are correct and that left, right, center and surround speakers are connected to the proper terminals and positioned correctly. Improper positioning of multi-channel speakers will adversely affect system performance. (**Diagram 4**)

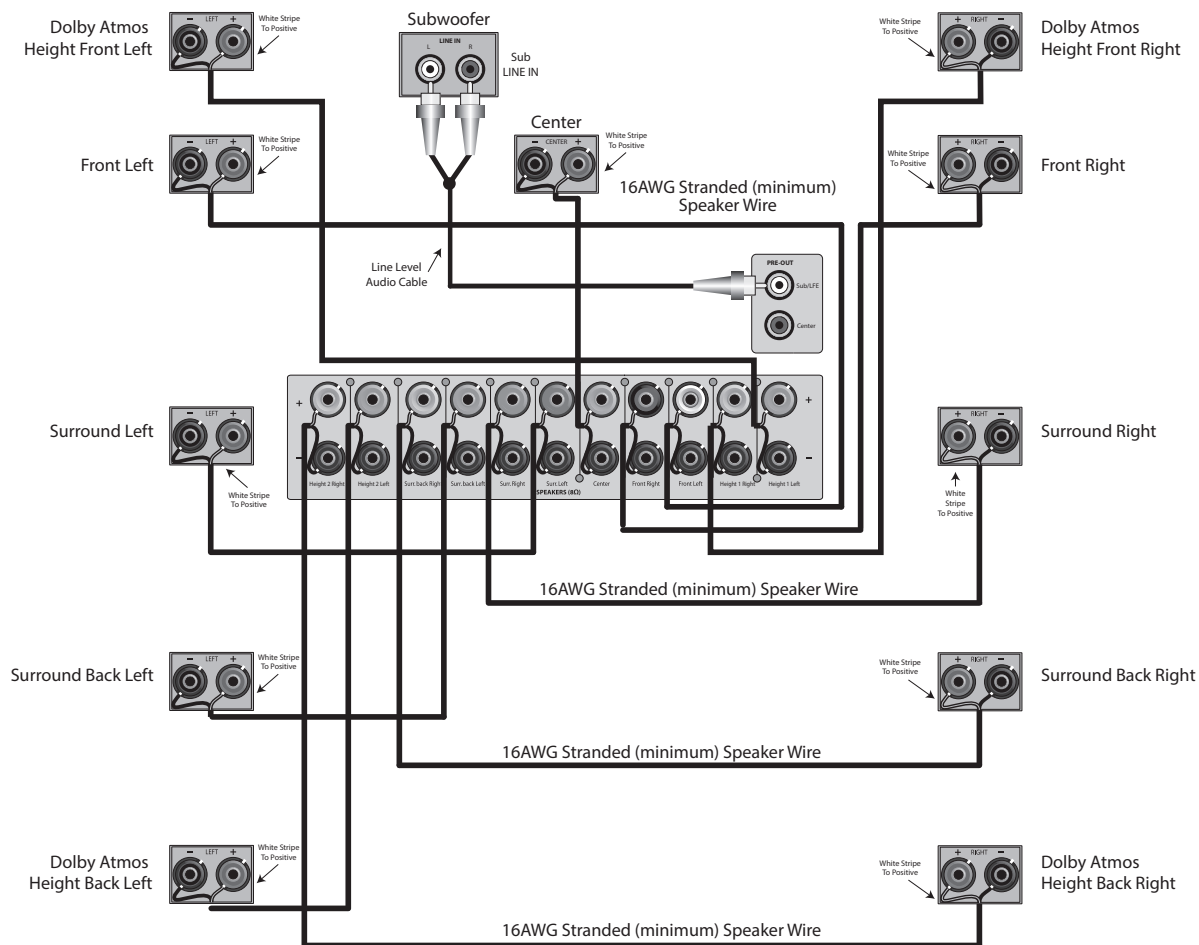


Diagram 4 Speaker Connections and Positions

PROTECTING THE CABINET FINISH

The finish on the LFS6 is a polymer coating that, while durable, should be carefully maintained. Do not place any hard object directly on the cabinet without first putting down a soft cloth or other nonabrasive pad. Do not place any liquid containers including drinks, flower vases or plants directly on the cabinet to avoid water marks.

To clean the cabinet, use a feather duster to remove dust. Dust can be abrasive and wiping dust with a rag can cause scratches. If additional cleaning is required, use a soft damp cotton cloth to clean the cabinet surface. Do not leave any residual moisture on the cabinet surface.

FLOOR STANDING SPEAKER SPECIFICATIONS

LFS6

Speaker Type:	2-Way Dual 6" Floor Standing Speaker
Applications:	2, 2.1, 5.1, 7.1, Atmos/DTS:X Systems
Woofers:	Two 6" Graphite Cone Woofers
Tweeter:	1" Silk Dome Tweeter
Power Handling:	125 Watts
Frequency Response:	60Hz - 20kHz
Impedance:	6Ω
Sensitivity:	89dB 2.83V/1m
Terminals:	Gold-Plated 5-Way Binding Posts, 10AWG Max
Cabinet:	Matte Black Rounded Corner MDF Cabinet
Grille:	Removable Black Cloth Grille w/Neo Magnets
Dimensions (H x W x D):	39 ¹ / ₁₆ " x 8 ⁷ / ₁₆ " x 9 ¹ / ₂ "

Features and specifications are subject to change without notice.

LIMITED TEN-YEAR WARRANTY

Proficient Audio Systems ("Proficient") warrants to the original retail purchaser only ("you") that this product will be free from defects in materials and workmanship for a period of ten years (the "Warranty Period"), subject to the limitations and exclusions set out in this Limited Warranty. This warranty is not transferable to subsequent owners of the product. If you discover a defect in material or workmanship within the Warranty Period, you can obtain warranty service by contacting Proficient during the Warranty Period at 800.472.5555 or techsupport@proficientaudio.com or by contacting the dealer from whom you purchased the product. Defective products must be shipped, prepaid and insured, together with proof of purchase. Warranty service requests made without proof of date of purchase will be denied. Freight collect shipments will be refused. It is preferable to ship this product in the original shipping container to lessen the chance of transit damage. In any case, the risk of loss or damage in transit is to be borne by the purchaser.

If, upon examination by Proficient or its authorized dealer, it is determined that the unit is in fact defective, Proficient will, at its option:

- Repair or replace the product at no additional charge; or
- If the model is no longer available and can not be repaired effectively, replace the unit with a current model of equal or greater value. In some cases where a new model is substituted, a modification to the mounting surface may be required. If mounting surface modification is required, Proficient assumes no responsibility or liability for such modification.

Proficient will bear the cost of returning the repaired or replaced product to you, freight prepaid. All replaced parts and product become the property of Proficient Audio Systems. The foregoing is your sole and exclusive remedy for breach of warranty. If the product is not found to be defective, Proficient will contact you to arrange for return of the product to you, at your expense.

EXCLUSIONS:

- This Warranty does not include service or parts to repair damage caused by accident, disaster, misuse, abuse, negligence, inadequate packing or shipping procedures, commercial use, voltage inputs in excess of the rated maximum of the unit, or service, repair or modification of the product by unauthorized dealers. This Warranty also excludes normal cosmetic deterioration caused by environmental conditions.
- This Warranty will be void if:
 - the Serial Number on the product has been removed, tampered with or defaced.
 - the product was not purchased from an authorized dealer.

THE FOREGOING WARRANTIES ARE EXCLUSIVE AND IN LIEU OF ALL OTHER EXPRESSED AND IMPLIED WARRANTIES. PROFICIENT EXPRESSLY DISCLAIMS ALL SUCH OTHER WARRANTIES, INCLUDING BUT NOT LIMITED TO IMPLIED WARRANTIES OF MERCHANTABILITY, FITNESS FOR A PARTICULAR PURPOSE AND NON-INFRINGEMENT.

In no event will Proficient be liable for any incidental or consequential damages arising out of the use or inability to use the product, even if Proficient has been advised of the possibility of such damages, or for any claim by any other party. Notwithstanding the above, if you qualify as a "consumer" under the Magnuson-Moss Warranty Act, then you may be entitled to any implied warranties allowed by law for the Warranty Period. Further, some states do not allow limitations on how long an implied Limited Warranty lasts or allow the exclusion or limitation of consequential damages, so such limitations may not apply to you.

ATTENTION TO OUR VALUED CONSUMERS:

To ensure that consumers obtain quality pre-sale and after-sale support and service, Proficient products are sold exclusively through Authorized Installing Dealers and Authorized Internet Sellers. **Please be advised that Proficient warranties are void if product is purchased from an Unauthorized Internet Seller.**

For technical inquires, please call 800.472.5555 or e-mail us at techsupport@proficientaudio.com. We are available to assist you every weekday, except holidays, between the hours of 7:00 a.m. and 5:00 p.m. PST.

PROFICIENT.

5919 Sea Otter Place • Carlsbad, CA 92008 • 800.472.5555 • Fax 707.283.5901 • proficientaudio.com

©2018 Nortek Security & Control, LLC. All rights reserved. Proficient® is a registered trademark of Nortek Security & Control, LLC.



Dolby, Dolby Atmos, and the double-D symbol are registered trademarks of Dolby Laboratories.

DTS, the Symbol, DTS and the Symbol together, DTS:X, and the DTS:X logo are registered trademarks or trademarks of DTS, Inc. in the United States and/or other countries.



P/N: 10017417 (Rev A0)