

PROFICIENT
Protege[™]
OWNER'S MANUAL



LSB3
3-Channel Passive Soundbar

INTRODUCTION

Congratulations and thank you for purchasing our Proficient Protege LSB3 Three-Channel Passive Soundbar!

This soundbar is designed to be used for the front left, center and right channels of a home theater system and should be connected to the left, center and right channels of an A/V receiver or a multi-channel home theater amplifier.

The LSB3 has three speaker enclosures within the soundbar. The Left and Right chambers are vented enclosures and the Center chamber is a highly damped sealed enclosure. Because the Center Channel in a home theater system gets nearly 70% of the audio, including most of the dialog, it needs to be particularly accurate and intelligible. For this reason, Proficient chose to use a sealed box design for the LSB3's Center chamber for its lower group delay and more controlled excursion, which is engineering speak for enhanced controlled woofers. The result is Center Channel dialog that is easier to understand with better clarity and detail in the music.

Woofers and Tweeters

The LSB3 incorporates six injection molded graphite woofers and three silk dome tweeters. The woofers use a special formulation of graphite, polypropylene and carbon fiber materials combined them using an injection molded process. The qualities of these different materials work together to deliver exceptionally clear mid-range as well as the stiffness and strength required to produce strong low frequencies that blend well with any subwoofer.

The one-inch silk dome tweeters provide excellent off-axis response by nature of their dome shape, complementing the dispersion of the woofers. The material properties of the IMG woofer cones and silk dome tweeters work together to provide a seamless sound quality and a spacious, open sound that seems more like it's coming from three separate speakers instead of a soundbar.

Crossover Networks

The LSB3's three internal crossover circuits (one per channel) are carefully tuned and thru our listening tests, we believe that we have come up with a system that will deliver outstanding dispersion. That means all frequencies of sound spread evenly around the room and the system has spacious, natural sound.

Surface Placement

The LSB3 soundbar can be placed on top of an AV rack, centered directly under the TV. Or, it can be placed on a shelf that the TV sits on. Adhere the included feet to the bottom four corners to keep the LSB3 from vibrating on the surface it is placed on. The feet will also keep the soundbar from "walking" on the surface that it is sitting on.

Wall Mounting

An included Proficient-designed mount makes it easy and quick to attach the LSB3 to a wall. It is designed to screw into wall studs mounted 16 inches on-center, and allows you to slide the LSB3 horizontally so it lines up perfectly with the center of the TV.

Bass

The graphite woofers deliver outstanding bass for their size, but the LSB3 isn't designed to deliver true full-range sound on its own. To get full-range sound, we recommend you combine the LSB3 with a Proficient floor standing subwoofer when the budget and space permits.

Cabinet

Our cabinet is made from thick MDF panels to prevent unwanted vibration so the sound you hear comes from just the drivers, not the cabinet. The black polymer coating helps to acoustically seal and dampen the enclosure.

To get the best possible performance from your LSB3, please read this manual carefully and follow all instructions for installation and setup.

SPEAKER PLACEMENT

Determine the Ideal Listening Zone

The area where the user will most likely be sitting when listening to the speakers is the Ideal Listening Zone, and the LSB3 should be placed to optimize the sound for this seat. Ideally, the LSB3 (and the video screen) should be centered on the same axis with the Ideal Listening Zone—i.e., the LSB3's center tweeter should be directly in front of your favorite listening seat. **(Diagram 1)**

The LSB3 should be mounted directly under the video screen, as close as possible to the bottom of the screen. The soundbar should be centered horizontally with the video screen.

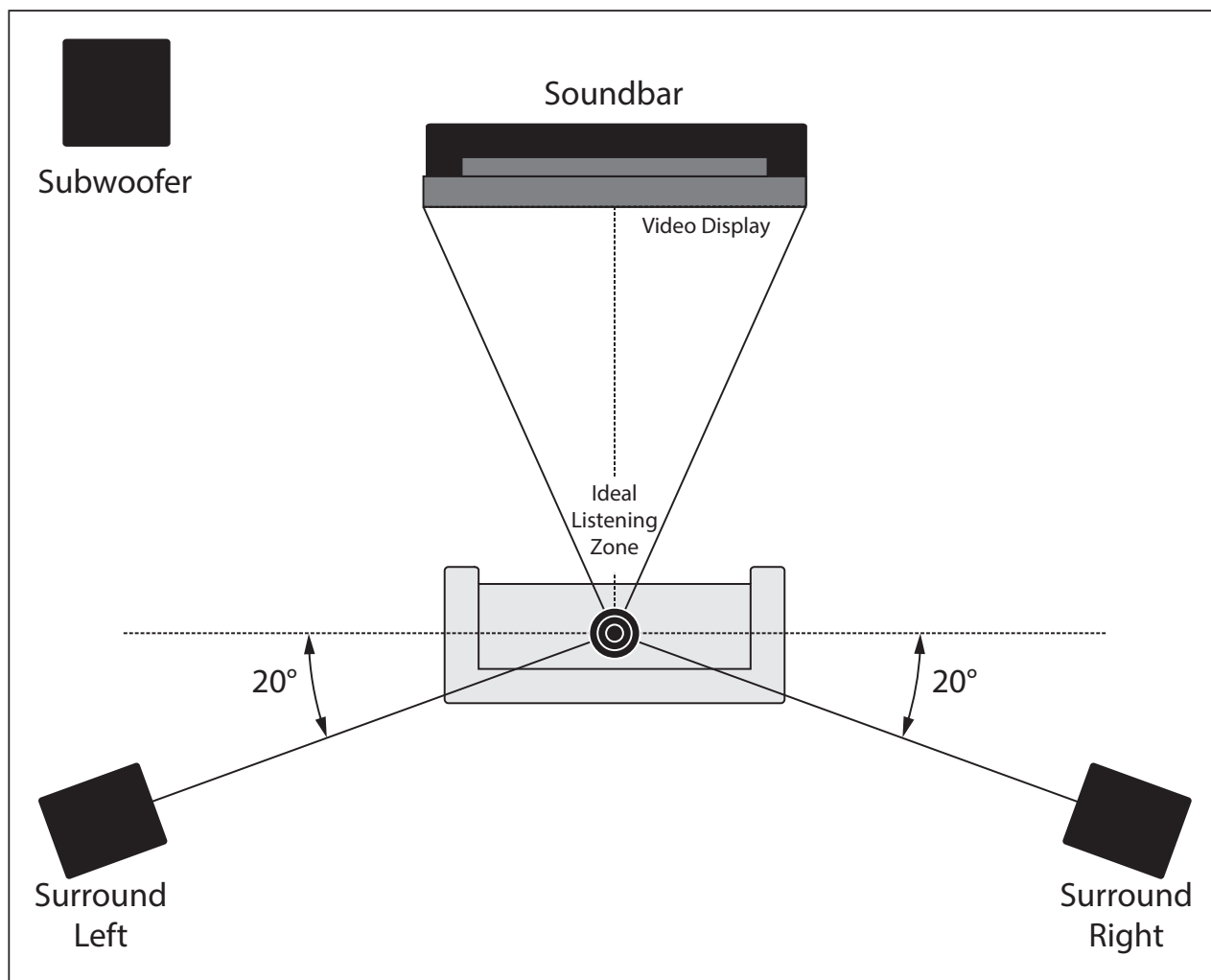


Diagram 1 *Speaker Location*

Using the Included Wall-Mount Bracket

The included wall-mount bracket makes it easy to attach the LSB3 to a wall built with standard 16-inch-on-center studs. To mount the bracket, use a stud finder to locate the two wall studs closest to the horizontal center of the video screen. Use a pencil or marker to mark a point between these two studs and 6 inches below the bottom edge of the TV chassis or projection screen.

Make sure there are no electrical wires, conduits, pipes or vents behind the spot you've marked. Use a ¼" bit to drill a hole in the wall. Drill only as deep as needed to penetrate the wall. Insert the included wall anchor and tap it in very gently with a hammer. Align the center mounting hole on the included mount with the wall anchor, and secure it with the screw provided.

Use a spirit (bubble) level to assure that the mount is perfectly leveled, then use the four included long screws to attach the mount to the wall. **(Diagram 2)** Make sure the screws go into the wooden studs behind the wallboard. **(Diagram 3)** Attach the speaker wires to the soundbar, then lift the soundbar onto the wall mount so the mount mates with the bracket mounted on the back of the speaker. **(Diagram 4)** Press down lightly on the soundbar to make sure it's firmly seated on the bracket. **(Diagram 5)** Now slide the soundbar horizontally so it is centered with the video screen. **(Diagram 6)**

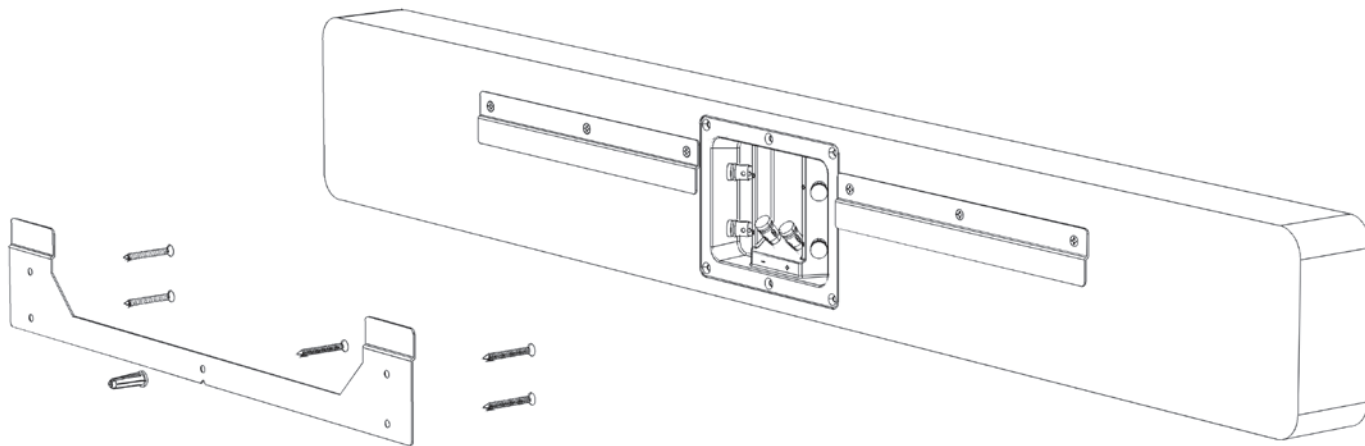


Diagram 2 Use Included Screws to Attach Bracket to Wall

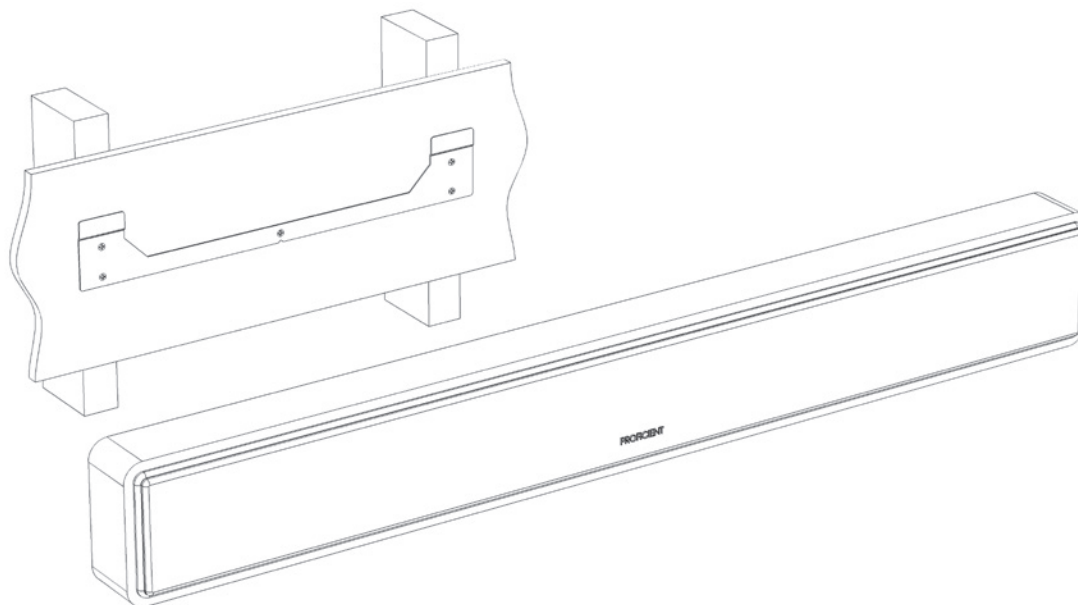


Diagram 3 Be Sure Screws Go Into The Wooden Studs Behind Wallboard

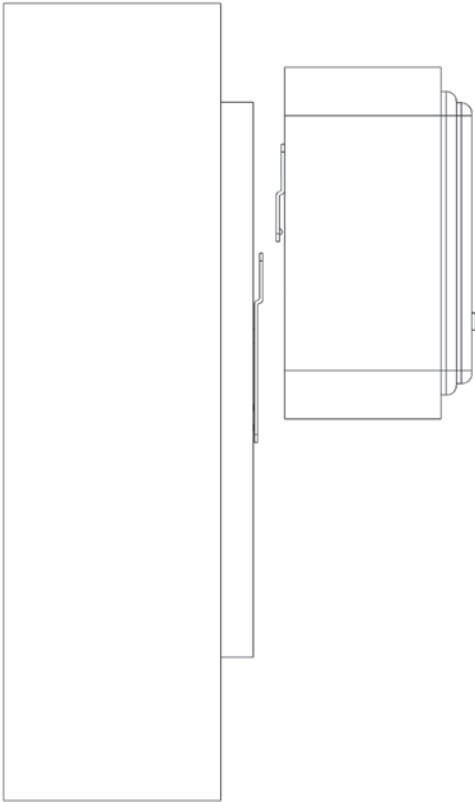


Diagram 4 *Line Up Soundbar with Wall Mount*

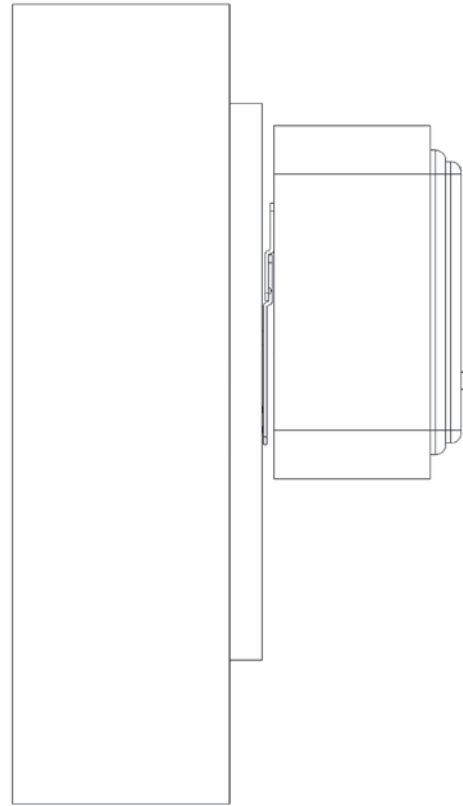


Diagram 5 *Press Down to Firmly Seat Soundbar onto the Bracket*

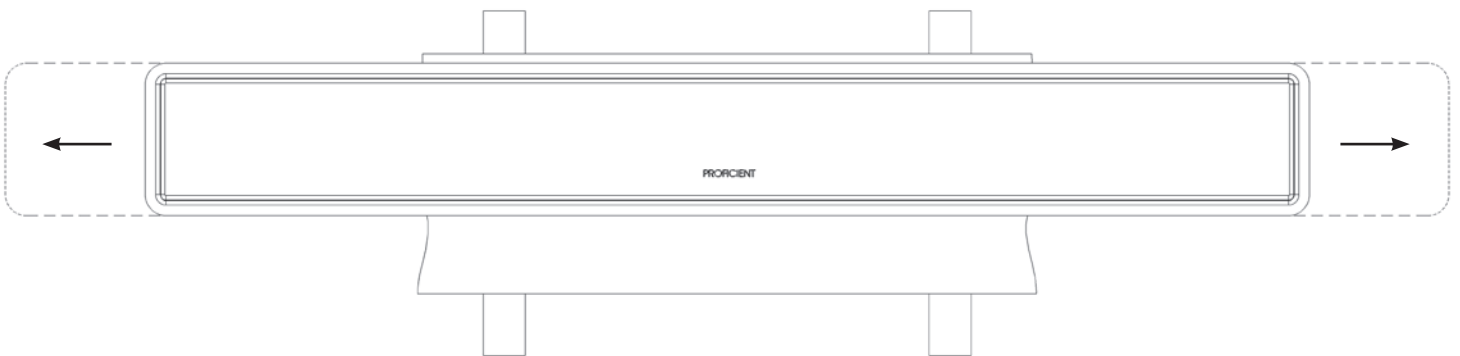


Diagram 6 *Slide Soundbar Horizontally to Center with Video Screen*

SPEAKER CONNECTIONS

1. Use 16AWG (min) 2-conductor stranded speaker wire for speaker connection.
2. Strip approximately 1/2 to 3/4 of an inch off the ends and twist the strands together so there are no loose ends that can cause shorts.
3. Depress the LSB3 speaker terminals as shown in **Diagram 7** so there is enough room to insert the stripped wire without damaging the strands. Once about half an inch of the wire is inside the terminal, let go to secure the wire.

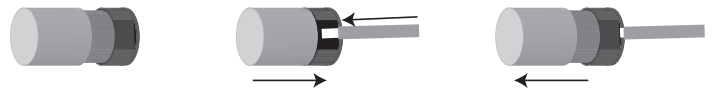


Diagram 7 Speaker Wire Connections

4. Connect the marked conductor of the cable (it may have a red jacket, or a white or blue stripe down the side) to the +/red terminal of the speaker. Make sure each channel from the receiver or amp (left, center or right) is connected to the correct channel of the LSB3.
5. Connect the other conductor of the cable to the -/black terminal of the speaker.
6. Repeat this process for all three of the LSB3's internal speakers (left, center and right).
7. Connect the speaker wires to the appropriate +/red and -/black terminals on the receiver/amplifier.
8. Confirm connection, polarity and position. Be sure all + and - are correct and that left, right, center and surround speakers are connected to the proper terminals and positioned correctly. Improper positioning of multi-channel speakers will adversely affect system performance. (**Diagram 8**)

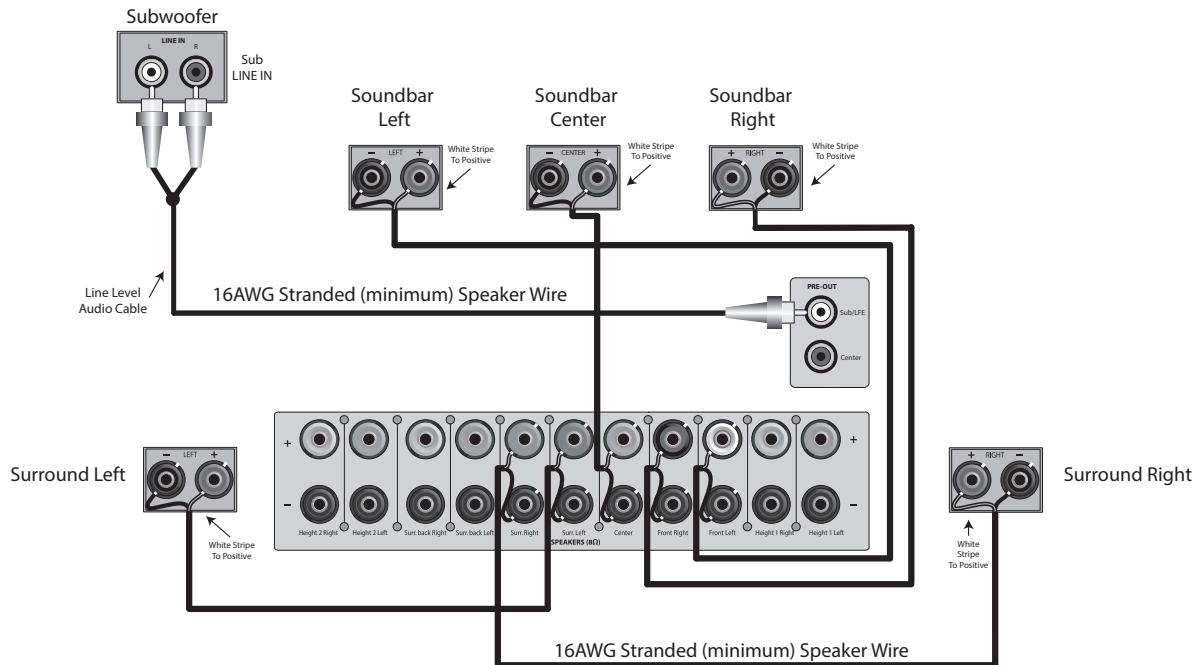


Diagram 8 Speaker Connections and Positions

PROTECTING THE CABINET FINISH

The finish on the LSB3 is a polymer coating that, while durable, should be carefully maintained. Do not place any hard object directly on the cabinet without first putting down a soft cloth or other nonabrasive pad. Do not place any liquid containers including drinks, flower vases or plants directly on the cabinet to avoid water marks.

To clean the cabinet, use a feather duster to remove dust. Dust can be abrasive and wiping dust with a rag can cause scratches. If additional cleaning is required, use a soft damp cotton cloth to clean the cabinet surface. Do not leave any residual moisture on the cabinet surface.

SOUNDBAR SPECIFICATIONS

LSB3

Speaker Type:	Triple 2-Way 3" Passive Soundbar
Applications:	2, 2.1, 5.1, 7.1, Atmos/DTS:X Systems
Woofers:	Six 3" Graphite Cone Woofers
Tweeters:	Three 1" Silk Dome Tweeters
Power Handling:	60 Watts (per channel)
Frequency Response:	140Hz - 20kHz
Impedance:	6Ω
Sensitivity:	88dB 2.83V/1m
Terminals:	Gold-Plated Spring-Loaded Binding Posts, 10AWG Max
Cabinet:	Matte Black Rounded Corner MDF Cabinets
Grille:	Removable Black Cloth Grille w/Neo Magnets
Wall Mount:	Proficient-Designed Horizontally Adjustable Wall-Mounting Bracket
Dimensions (H x W x D):	5 ³ / ₁₆ " x 39 ¹³ / ₁₆ " x 2 ³ / ₄ "

Features and specifications are subject to change without notice.

LIMITED TEN-YEAR WARRANTY

Proficient Audio Systems ("Proficient") warrants to the original retail purchaser only ("you") that this product will be free from defects in materials and workmanship for a period of ten years (the "Warranty Period"), subject to the limitations and exclusions set out in this Limited Warranty. This warranty is not transferable to subsequent owners of the product. If you discover a defect in material or workmanship within the Warranty Period, you can obtain warranty service by contacting Proficient during the Warranty Period at 800.472.5555 or techsupport@proficientaudio.com or by contacting the dealer from whom you purchased the product. Defective products must be shipped, prepaid and insured, together with proof of purchase. Warranty service requests made without proof of date of purchase will be denied. Freight collect shipments will be refused. It is preferable to ship this product in the original shipping container to lessen the chance of transit damage. In any case, the risk of loss or damage in transit is to be borne by the purchaser.

If, upon examination by Proficient or its authorized dealer, it is determined that the unit is in fact defective, Proficient will, at its option:

- Repair or replace the product at no additional charge; or
- If the model is no longer available and can not be repaired effectively, replace the unit with a current model of equal or greater value. In some cases where a new model is substituted, a modification to the mounting surface may be required. If mounting surface modification is required, Proficient assumes no responsibility or liability for such modification.

Proficient will bear the cost of returning the repaired or replaced product to you, freight prepaid. All replaced parts and product become the property of Proficient Audio Systems. The foregoing is your sole and exclusive remedy for breach of warranty. If the product is not found to be defective, Proficient will contact you to arrange for return of the product to you, at your expense.

EXCLUSIONS:

- This Warranty does not include service or parts to repair damage caused by accident, disaster, misuse, abuse, negligence, inadequate packing or shipping procedures, commercial use, voltage inputs in excess of the rated maximum of the unit, or service, repair or modification of the product by unauthorized dealers. This Warranty also excludes normal cosmetic deterioration caused by environmental conditions.
- This Warranty will be void if:
 - the Serial Number on the product has been removed, tampered with or defaced.
 - the product was not purchased from an authorized dealer.

THE FOREGOING WARRANTIES ARE EXCLUSIVE AND IN LIEU OF ALL OTHER EXPRESSED AND IMPLIED WARRANTIES. PROFICIENT EXPRESSLY DISCLAIMS ALL SUCH OTHER WARRANTIES, INCLUDING BUT NOT LIMITED TO IMPLIED WARRANTIES OF MERCHANTABILITY, FITNESS FOR A PARTICULAR PURPOSE AND NON-INFRINGEMENT. In no event will Proficient be liable for any incidental or consequential damages arising out of the use or inability to use the product, even if Proficient has been advised of the possibility of such damages, or for any claim by any other party. Notwithstanding the above, if you qualify as a "consumer" under the Magnuson-Moss Warranty Act, then you may be entitled to any implied warranties allowed by law for the Warranty Period. Further, some states do not allow limitations on how long an implied Limited Warranty lasts or allow the exclusion or limitation of consequential damages, so such limitations may not apply to you.

ATTENTION TO OUR VALUED CONSUMERS:

To ensure that consumers obtain quality pre-sale and after-sale support and service, Proficient products are sold exclusively through Authorized Installing Dealers and Authorized Internet Sellers. **Please be advised that Proficient warranties are void if product is purchased from an Unauthorized Internet Seller.**

For technical inquires, please call 800.472.5555 or e-mail us at techsupport@proficientaudio.com. We are available to assist you every weekday, except holidays, between the hours of 7:00 a.m. and 5:00 p.m. PST.

PROFICIENT.

5919 Sea Otter Place • Carlsbad, CA 92008 • 800.472.5555 • Fax 707.283.5901 • proficientaudio.com

©2018 Nortek Security & Control, LLC. All rights reserved. Proficient® is a registered trademark of Nortek Security & Control, LLC.



Dolby, Dolby Atmos, and the double-D symbol are registered trademarks of Dolby Laboratories.

DTS, the Symbol, DTS and the Symbol together, DTS:X, and the DTS:X logo are registered trademarks or trademarks of DTS, Inc. in the United States and/or other countries.



P/N: 10017416 (Rev A0)